

Case

grey 340 x 298 x 96 mm, Polypropylene



FEATURES:

- Durable
- Uniform line
- Color similar to aluminum cases
- two handles for greater carrying capacity
- Space saving foldaway handle
- Metal hinges
- Secure clips
- designed for a lock to be used on it
- External customization: screen-printing on both sides, embossed logo as well as resin labels
- Internal customization: die-cut foam, thermoformed

FEATURES:

- With Convoluted Foam

SPECIFICATION:

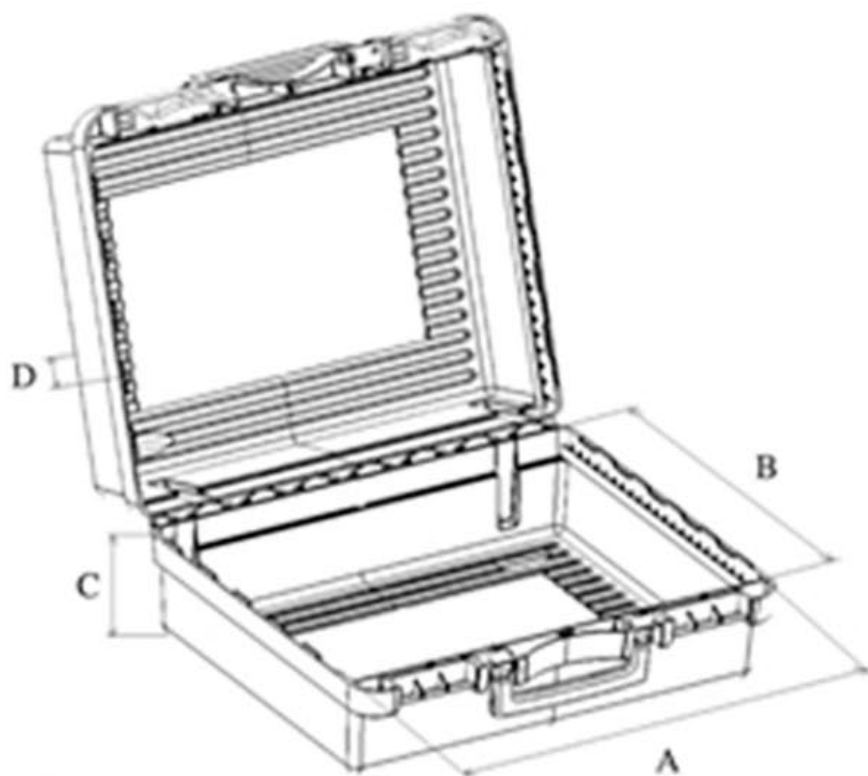
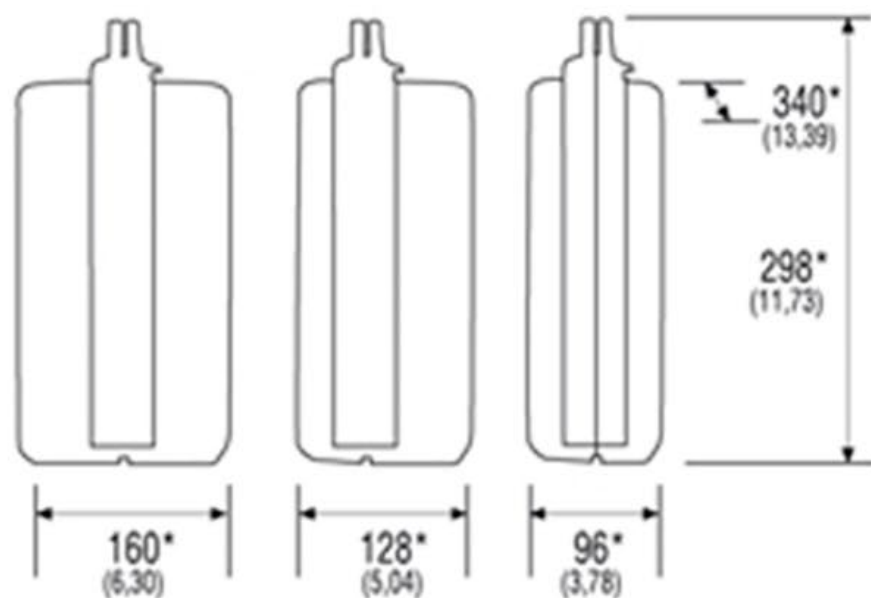
External dimensions W x D x H	340 x 298 x 96 mm
Dimensions, internal W x D x H	324 x 251 x 87 mm
Colour	grey
Material	Polypropylene



Art. Nr.

RND 550-00104

Dim. ESTERNE
OUTSIDE Dim.



Dim. INTERNE
INSIDE Dim.

	A	B	C	D
Art. 170/34H96	324* (12,76)	x 251* (9,88)	x 43,5* (1,71)	x 43,5* (1,71)
Art. 170/34H128	320* (12,60)	x 247* (9,72)	x 75* (2,95)	x 43,5* (1,71)
Art. 170/60H160	320* (12,60)	x 247* (9,72)	x 75* (2,95)	x 75* (2,95)

* = mm.
() = inch.