




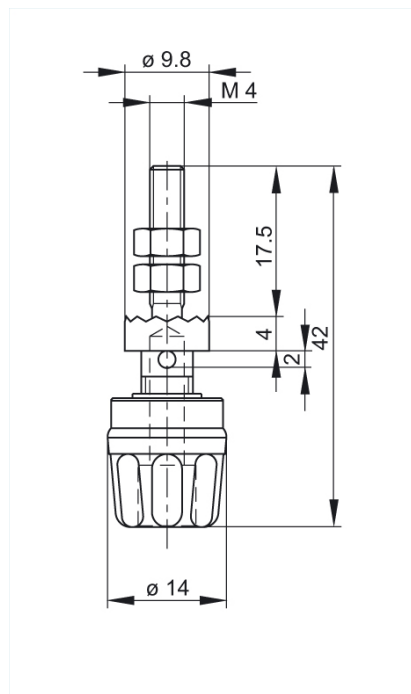
## PK 10 A schwarz/black

Industrial Connectors:Measuring and Testing Equipment:Sockets:4 mm system

### Product description

Description	Pole terminal with claw edge and captive insulated head. 4 mm diameter nickel-plated brass threaded bolt with 2 mm diameter transverse hole. For installation in equipment chassis and switch panels.
Type	PK 10 A schwarz/black
Order No.	930 099-100
System	4 mm system
Housing Color	black
Color types	
Other standard types	red color, order no. 930 099-101; blue color, order no. 930 099-102; yellow color, order no. 930 099-103; green color, order no. 930 099-104; yellow/green color, order no. 930 099-188

### Drawing



### Technical data

Type of contact	socket
Type of termination	M 4 thread
Rated voltage	DC 60 V
Rated current	16 A
Contact resistance	2 mOhm
Mounting	screw
<b>Material</b>	
Contact material	brass
Contact surface material	nickel-plated
Housing material	PF
<b>Environmental conditions</b>	
Temperature range	-25 °C to +100 °C
<b>Inflammability class</b>	
Housing	94 V-0