

Colored Coating Fiber:250um±15um
 Inner Jacket: black
 Polyester yarn
 Outer Jacket: White (RAL9001) 2.2mm±0.2mm



ITEM NO.	LENGTH	FIBER	Color
S215572V2. 20m	20M	G657.A2	White
S215572V2. 40m	40M	G657.A2	White
S215572V2. 60m	60M	G657.A2	White

Tension (Short Term)	120N, no change in attenuation after the test, no sheath damage
Tension (Long Term)	60N, no change in attenuation
Crush (Short Term)	500N/100mm, no fiber breakage, no sheath damage
Crush (Long Term)	100N/100mm, no change in attenuation

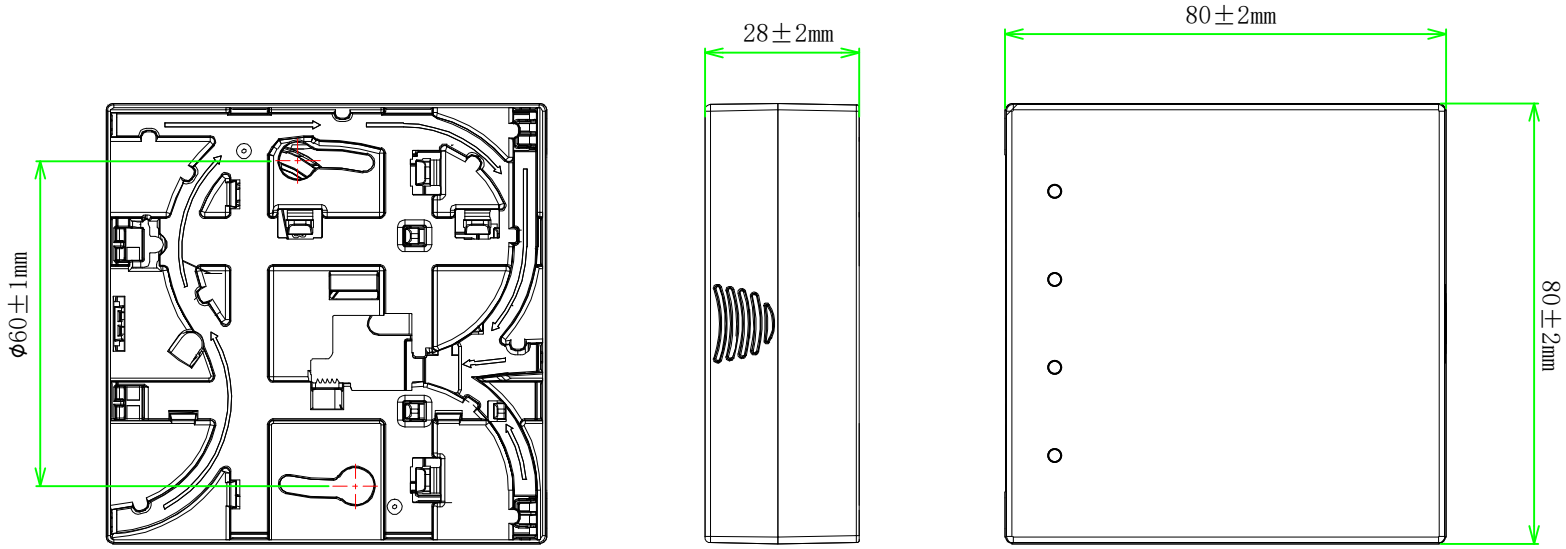
Note:
 1. Grade Designation:Each to Reference
 2. ROHS 3.0 and REACH Compliant
 3. Bending insensitive fiber

Type	Single-Mode
Insertion Loss	≤ 0.30dB
Return Loss	≥ 60dB
Test Wavelength	1310nm

⑨	0.9 Tube HytreI Color:Red	440mm	
⑧	0.9 Tube HytreI Color:Blue	440mm	
⑦	Heat Shrink Tubing	1	
⑥	Fanout Heat Shrink Tubing	1	
⑤	FIBER OPTICAL CABLE G657.A2 2C 250um Blue Red with KEVLAR Jacket LSZH OD: 2.2mm Color:Wihte Printing: FIBER OPTICAL CABLE 2FO SM 9/125um G657.A2 LSZH HT CPR Eca MM/YYYY XXXXm	Xm	
④	SC Transparent Dust Cap	2	
③	SC/APC 8° Ferrule	2	
②	SC SM 0.9 Green Connector	2	
①	SC 0.9mm Green Boot	2	
NO	SPECIFICATION STANDARD	QT'Y	REMARK

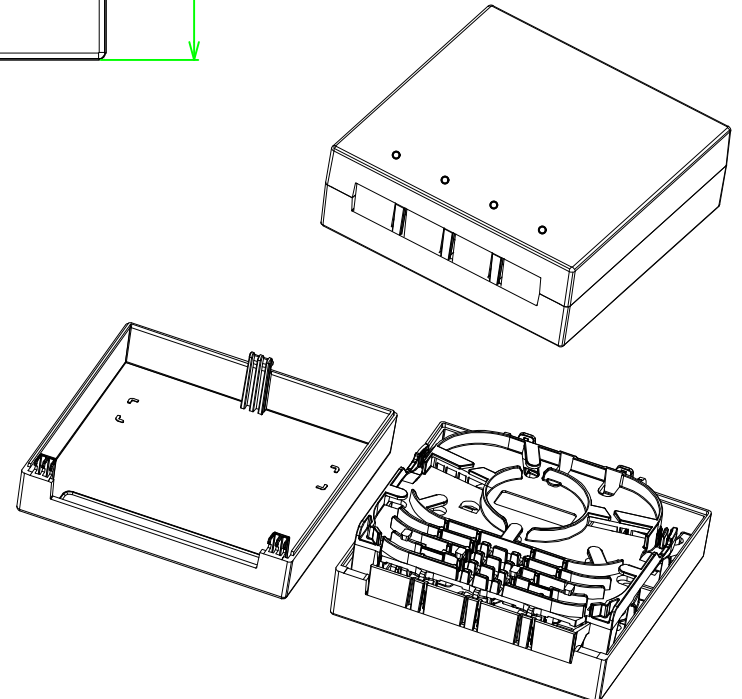
SYNERGY21							
CUSTOMER	AN	ITEM NO.	see the chart				
PRODUCT NAME	2 cores SC/APC 8° fiber cable	Manufacture country	CHINA	UNIT	mm		
DATE	2022-07-25	REV.	A	DRAWNBY	CHECKBY	APPOBY	DATE
BY	CHK	REVISION RECORD MODIFICATIONS	DATE	REV.	SYNERGY21	SYNERGY21	SYNERGY21

NEW	2022-07-25	A	DRAWNBY	CHECKBY	APPOBY	DATE
BY	CHK	REVISION RECORD MODIFICATIONS	DATE	REV.	SYNERGY21	SYNERGY21

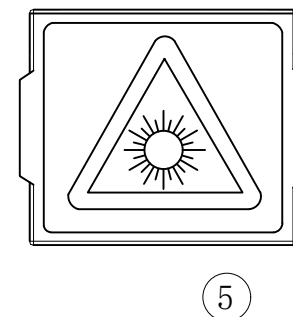
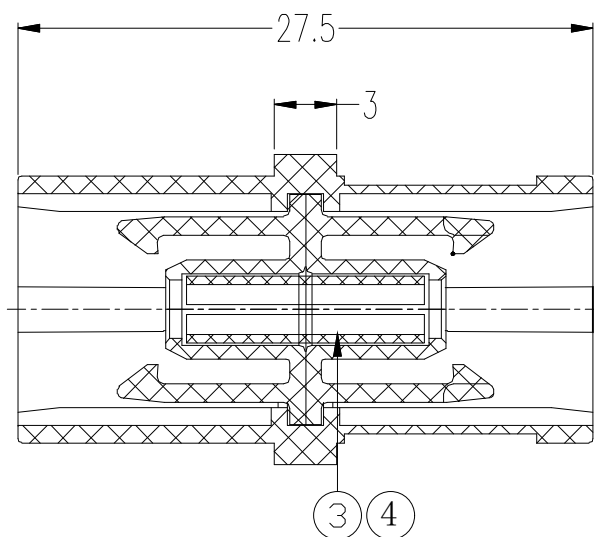
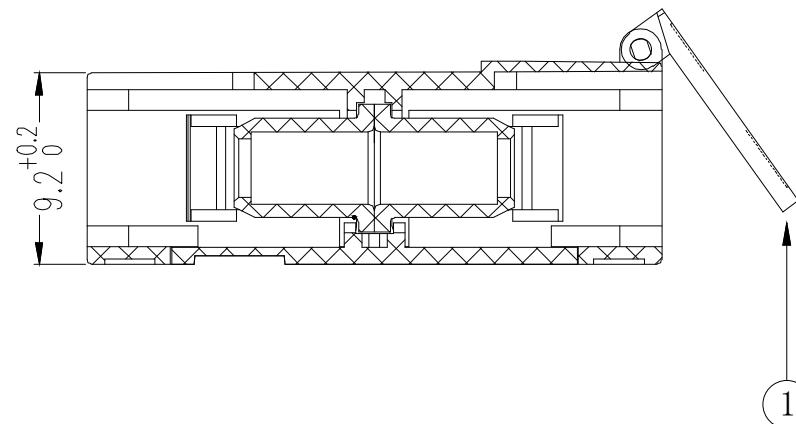
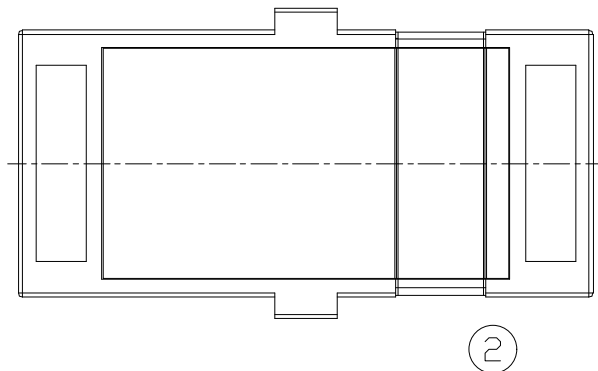
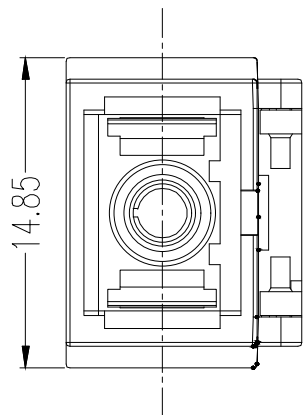


NOTE:

- ROHS 3.0 and REACH Compliant
- Storage Temperature: -40°C--+75°C
- Operation Temperature: -40°C--+75°C
- ABS Material
- UL94V2
- Max 4 core (shrinkage Type)
- 4 SC Simplex Adapter or LC Duplex Adapter Installable
- Suitable for Fiber fusion protection sleeves Installable
- DIN Installation available
- W/O Adapter
- Color:white
- Dimensions:80*80*28mm



SYNERGY21									
CUSTOMER	AN		ITEM NO.	See the chart					
PRODUCT NAME	FTTH Box 4 Core		Manufacture country	CHINA	UNIT	mm			
BY	CHK	NEW	2022-07-25	A	DRAWNBY	CHECKBY	APPOBY	DATE	
		REVISION RECORD MODIFICATIONS	DATE	REV.	SYNERGY21	SYNERGY21	SYNERGY21	2022-07-25	



NOTE:
ROHS 3.0 & Reach COMPLIANT

Insertion Loss (typical) (dB)	≤0.12
Insertion Loss (dB)	≤0.20
Operating Temperature (° C)	-40 ~ +80
Storage Temperature (° C)	-40 ~ +85

MATERIAL LIST:

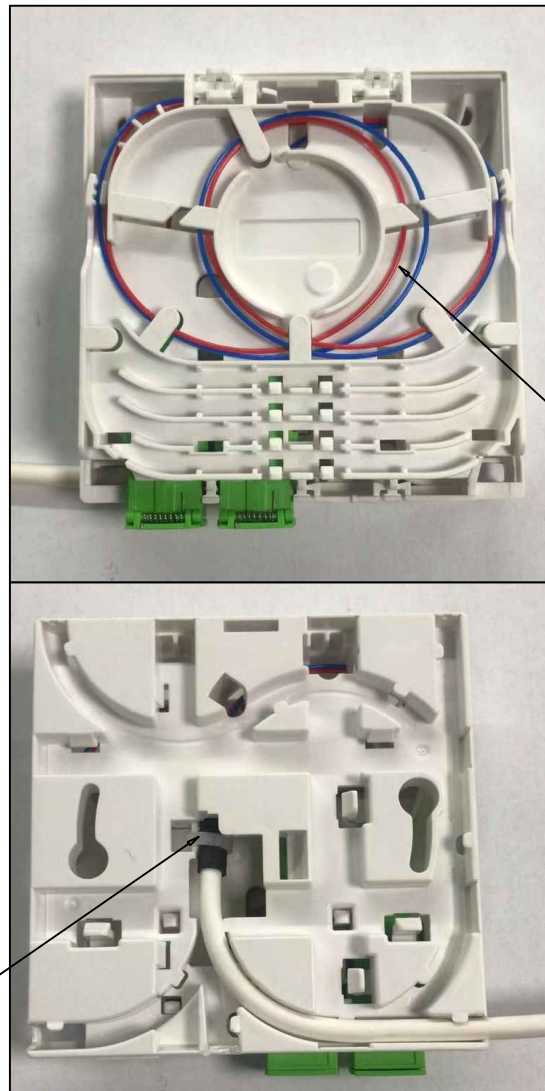
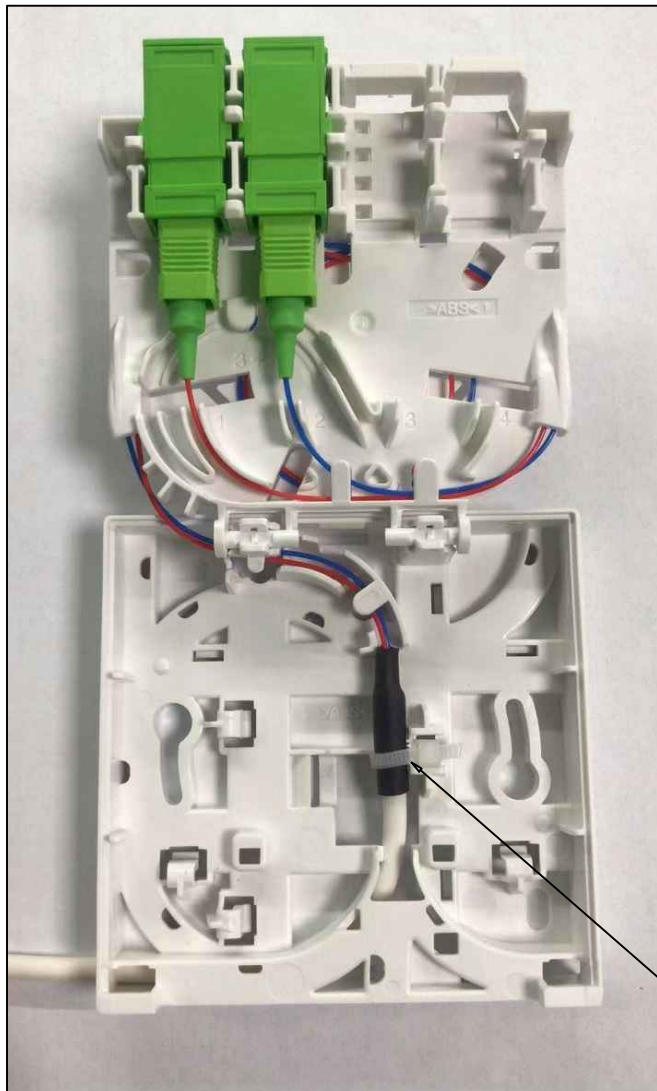
⑤	Note that the laser label (Red Blue)	1pcs	
④	SC Sleeve ceramic	1pcs	
③	SC Green Bush	2pcs	
②	SC Simplex Green one-piece Body without flange	1pcs	
①	SC Green Dust Cap	1pcs	
NO.	SPECIFICATION STANDARD	QT' Y	REMARK

SYNERGY21					
CUSTOMER	AN	ITEM NO.	See the chart		
PRODUCT NAME	SC SM Green (ceramic) Simplex plastic Adapter With external laser protection shutter	Manufacture country	CHINA	UNIT	mm
DRAWNBY	CHECKBY	APPOBY	DATE		
SYNERGY21	SYNERGY21	SYNERGY21	2022-07-25		

		NEW	2022-07-25	A
BY	CHK	REVISION RECORD MODIFICATIONS	DATE	REV.

RedBlue

Adapter label

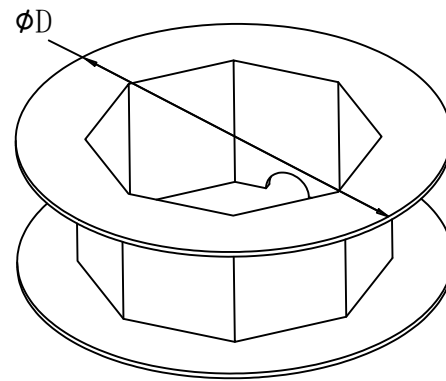
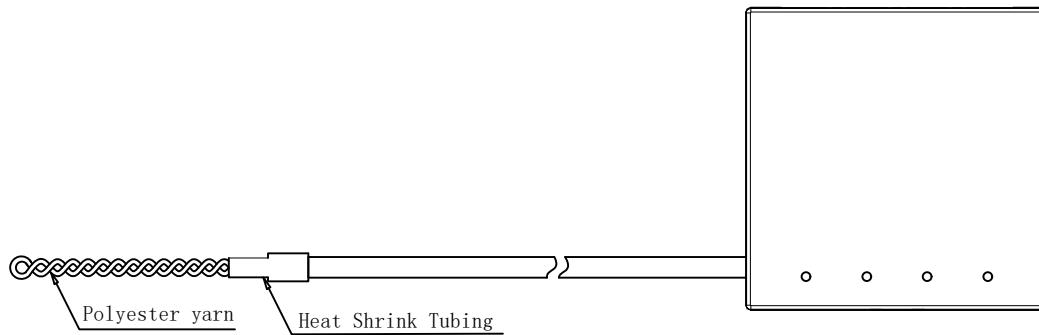


One lap

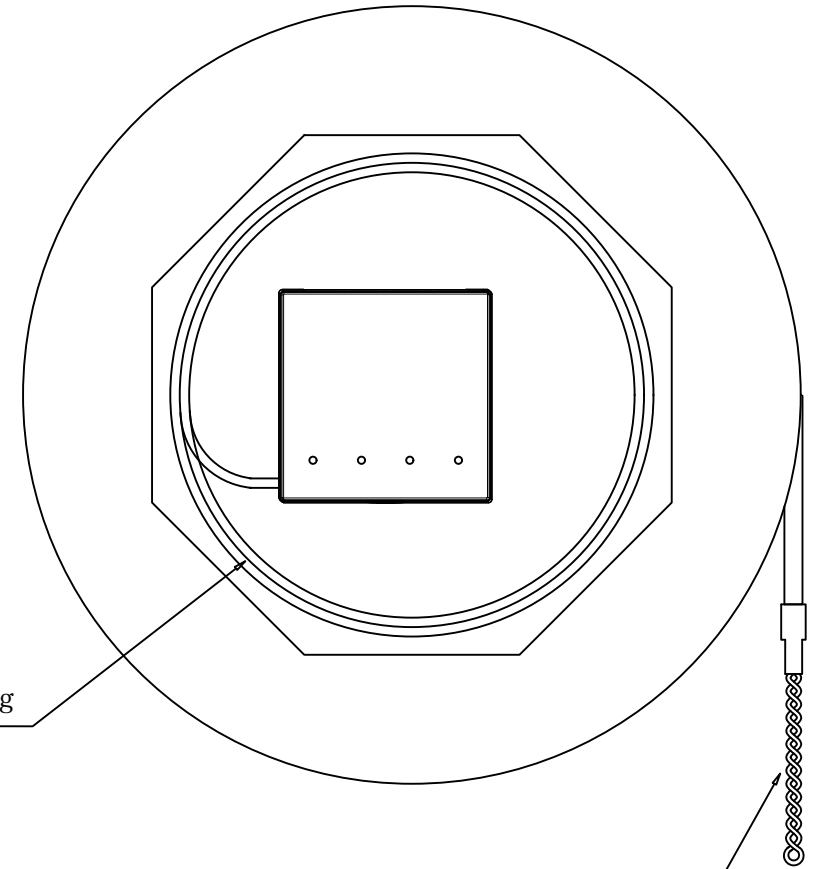
Cable tie

										SYNERGY21		
				CUSTOMER	AN		ITEM NO.	see the chart				
				PRODUCT NAME	Assemble			Manufacture country	CHINA	UNIT	mm	
				NEW	2022-07-25	A	DRAWNBY	CHECKBY	APPOBY	DATE		
BY	CHK	REVISION RECORD MODIFICATIONS			DATE	REV.	SYNERGY21	SYNERGY21	SYNERGY21	2022-07-25		

End-product drawing

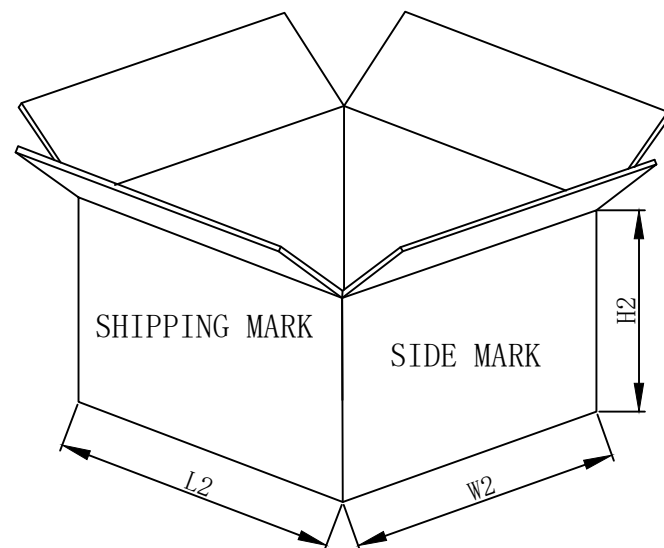
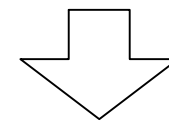
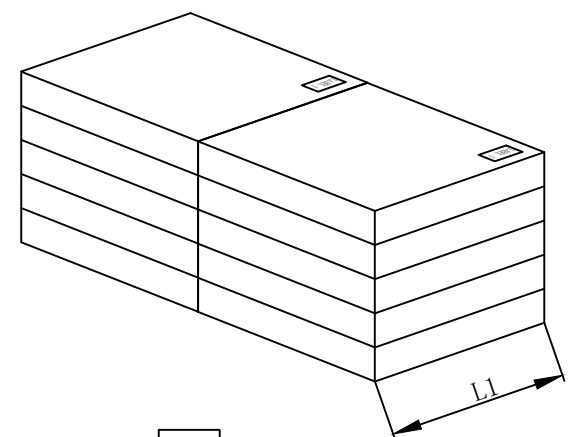
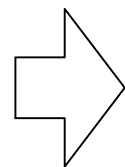
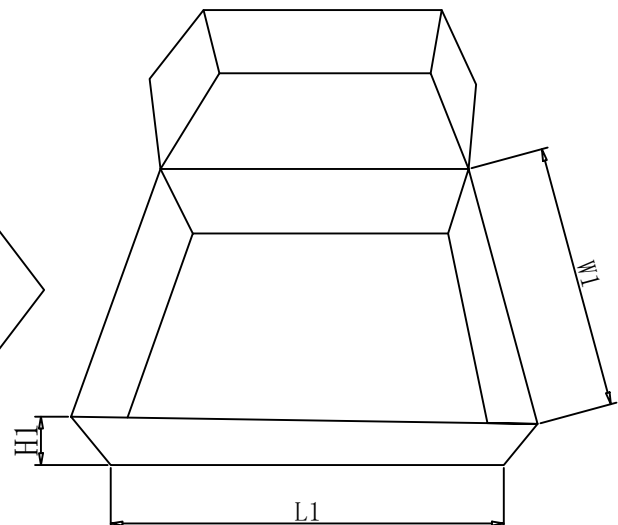
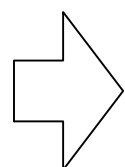
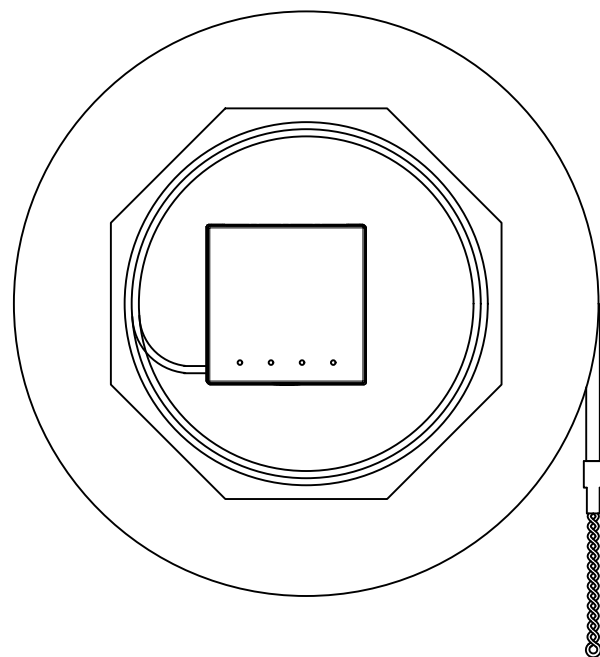


Paper shaft



Clockwise winding

										SYNERGY21				
						CUSTOMER		AN		ITEM NO.		See the chart		
						PRODUCT NAME		Assemble		Manufacture country		CHINA	UNIT	mm
		NEW		2022-07-25		A		DRAWNBY		CHECKBY		APPOBY		DATE
BY	CHK	REVISION RECORD MODIFICATIONS			DATE	REV.	SYNERGY21		SYNERGY21		SYNERGY21		2022-07-25	



ITEM NO.	LENGTH	FIBER	Color
S215572V2. 20m	20M	G657. A2	White
S215572V2. 40m	40M	G657. A2	White
S215572V2. 60m	60M	G657. A2	White

SinglePack: 1pc/box+label; SubPack: no; Carton +labelx2;

SYNERGY21

						CUSTOMER	AN	ITEM NO.	see the chart	
						PRODUCT NAME	PACKING	Manufacture country	CHINA	UNIT mm
			NEW	2022-07-25	A	DRAWNBY	CHECKBY	APPOBY	DATE	
BY	CHK	REVISION RECORD MODIFICATIONS			DATE	REV.	SYNERGY21	SYNERGY21	SYNERGY21	2022-07-25