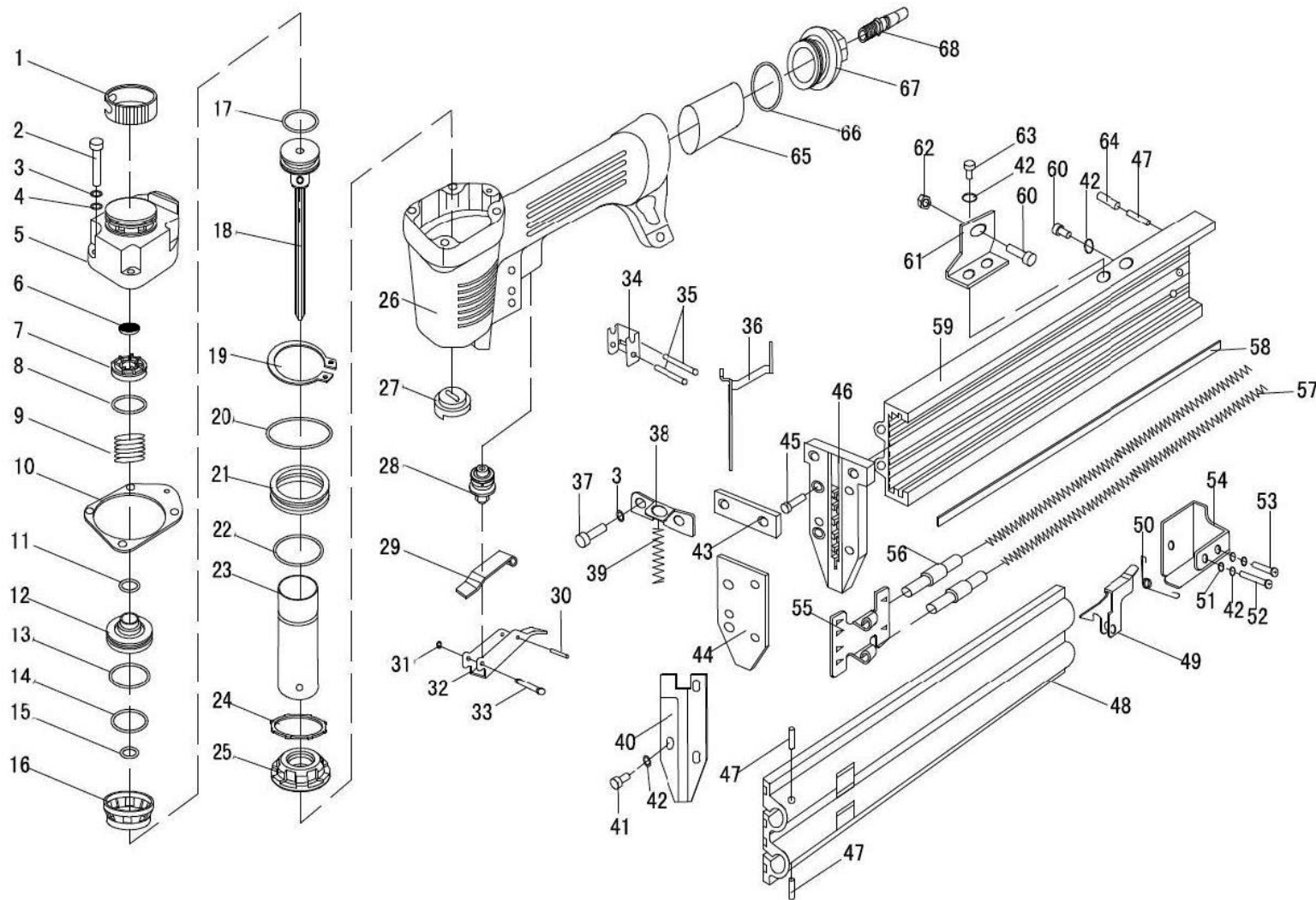




Parts Information:  
**Air Staple Gun 13-32mm Capacity**  
**Model No: SA791.V2**



**NOTE:** It is our policy to continually improve products and as such we reserve the right to alter data, specifications and component parts without prior notice.

**IMPORTANT:** No liability is accepted for incorrect use of product.

**WARRANTY:** Guarantee is 12 months from purchase date, proof of which will be required for any claim.

Sealey Group, Kempson Way, Suffolk Business Park, Bury St Edmunds, Suffolk. IP32 7AR



01284 757500



01284 703534



sales@sealey.co.uk



www.sealey.co.uk



Parts Information:  
Air Staple Gun 13-32mm Capacity  
Model No: SA791.V2

Item	Part No.	Description
1	SA792.V3-01	EXHAUST COVER
2	SA792.V3-02	HEX BOLT (M5x25)
3	SA792.V3-03	SPRING WASHER (5mm)
4	SA792.V3-04	FLAT WASHER (5mm)
5	SA792.V3-05	AIR CAP
6	SA792.V3-06	CAP SEAL
7	SA792.V3-07	SEAL
8	SA792.V3-08	O-RING (23.7x1.5)
9	SA792.V3-09	COMPRESSED SPRING
10	SA792.V3-10	CYLINDER CAP GASKET
11	SA792.V3-11	O-RING (9.5x26.5)
12	SA792.V3-12	HEAD VALVE PISTON
13	SA792.V3-13	O-RING (31.5x2.4)
14	SA792.V3-14	O-RING (24.5x3.5)
15	SA792.V3-15	O-RING (14.5x2.65)
16	SA792.V3-16	COLLAR
17	SA792.V3-17	O-RING (22x3)
18	SA791.V2-18	DRIVER BLADE UNIT
19	SA792.V3-19	RETAINING RING (32mm)
20	SA792.V3-20	O-RING (41.2x2.65)
21	SA792.V3-21	SEAL
22	SA792.V3-22	O-RING (31.5x2.65)
23	SA792.V3-23	CYLINDER
24	SA792.V3-24	GASKET
25	SA792.V3-25	BUMPER
26	SA792.V3-26	BODY
27	SA792.V3-27	BUNG
28	SA792.V3-28	SWITCH UNIT
29	SA792.V3-29	TRIGGER LEVER
30	SA791.V2-30	PIN (2.5x16)
31	SA791.V2-31	O-RING (1.8x1.8)
32	SA791.V2-32	TRIGGER
33	SA791.V2-33	PIN (2.9x28.6)
34	SA791.V2-34	SAFETY GUIDE

Item	Part No.	Description
35	SA791.V2-35	SPRING PIN (3x25)
36	SA791.V2-36	SAFETY
37	SA791.V2-37	HEX. BOLT (M5x22)
38	SA791.V2-38	SPRING SEAT
39	SA791.V2-39	SPRING
40	SA791.V2-40	SAFETY COVER
41	SA791.V2-41	HEX. BOLT (M4x8)
42	SA791.V2-42	WASHER (M4)
43	SA791.V2-43	LOCK PLATE
44	SA791.V2-44	DRIVER GUIDE COVER
45	SA791.V2-45	HEX. BOLT (M4x14)
46	SA791.V2-46	DRIVER GUIDE
47	SA791.V2-47	SPRING PIN (M2.5x12)
48	SA791.V2-48	SIDE COVER
49	SA791.V2-49	MAGAZINE LATCH
50	SA791.V2-50	TORTIVE SPRING
51	SA791.V2-51	SEAL (M4)
52	MSP430.SB	MACHINE SCREW PAN HEAD PHILLIPS M4x30mm
53	SA791.V2-53	SCREW (M4x16)PHILLIPS HEAD
54	SA791.V2-54	TAIL COVER
55	SA791.V2-55	PUSHER
56	SA791.V2-56	PUSHER HOLDER
57	SA791.V2-57	SPRING
58	SA791.V2-58	NAIL GUIDE
59	SA791.V2-59	MAGAZINE
60	SA791.V2-60	HEX. BOLT (M5x18)
61	SA791.V2-61	TAIL HANGER
62	NLN5.S	NYLOC NUT M5 ZINC DIN 985 (SINGLE)
63	SA791.V2-63	HEX. BOLT (M4 x 8)
64	SA791.V2-64	SPRING PIN (4x12)
65	SA791.V2-65	HEAD GRIP
66	SA791.V2-66	O-RING (33x1.65)
67	SA791.V2-67	END CAP
68	SA791.V2-68	AIR PLUG

**NOTE:** It is our policy to continually improve products and as such we reserve the right to alter data, specifications and component parts without prior notice.

**IMPORTANT:** No liability is accepted for incorrect use of product.

**WARRANTY:** Guarantee is 12 months from purchase date, proof of which will be required for any claim.

Sealey Group, Kempson Way, Suffolk Business Park, Bury St Edmunds, Suffolk. IP32 7AR



01284 757500



01284 703534



sales@sealey.co.uk



www.sealey.co.uk