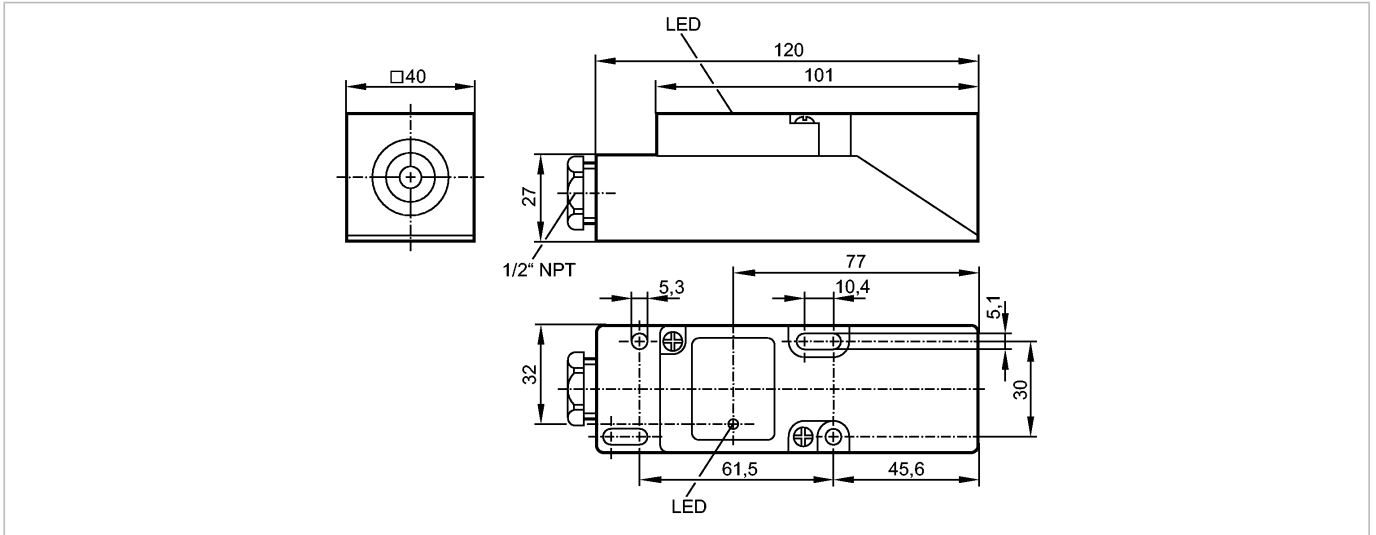




IME3015-FNKG/NPT RT

Inductive sensors



Product characteristics

Inductive sensor

Rectangular, plastics

Terminals

Sensing range 15 mm; [f] flush mountable

Electrical data

Electrical design

DC NPN

Operating voltage [V]

10...36 DC

Current consumption [mA]

15 (24 V)

Protection class

II

Reverse polarity protection

yes

Outputs

Output function

normally open / closed programmable

Voltage drop [V]

< 2.5

Current rating [mA]

250

Short-circuit protection

pulsed

Overload protection

yes

Switching frequency [Hz]

350

Range

Sensing range [mm]

15

Real sensing range (Sr) [mm]

15 ± 10 %

Operating distance [mm]

0...12.1

Accuracy / deviations

Correction factors

mild steel = 1 / stainless steel approx. 0.7 / brass approx. 0.4 / Al approx. 0.3 / Cu approx. 0.2

Hysteresis [% of Sr]

1...15

Switch-point drift [% of Sr]

-10...10

Environment

Ambient temperature [°C]

-25...80

Protection

IP 65

Tests / approvals

EMC

EN 60947-5-2

EN 55011:

class B

MTTF [Years]

2083

Mechanical data

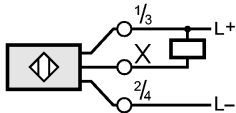
Mounting

flush mountable

IM5040 - Inductive sensor - eclass: 27270101 / 27-27-01-01

| | |
|-------------------------------|--|
| Housing materials | modified PPO |
| Weight [kg] | 0.195 |
| Displays / operating elements | |
| Output status indication LED | Red |
| Electrical connection | |
| Connection | terminals up to 2.5 mm ² ; cable diameter 7...13 mm |

Wiring



| | |
|-----------------------|---|
| Remarks | |
| Remarks | 5 positions of the active zone possible |
| Pack quantity [piece] | 1 |