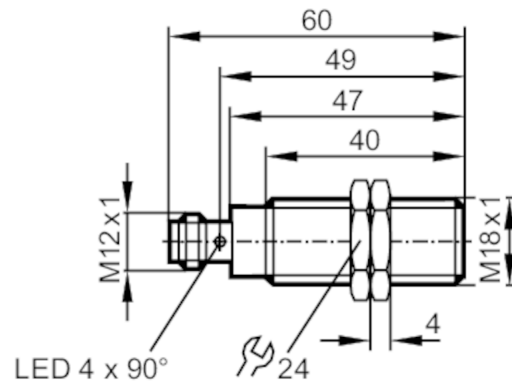


OGP301



Retro-reflective sensor

OGP-HPKG/US100



Product characteristics

Type of light	red light
Housing	threaded type
Dimensions [mm]	M18 x 1 / L = 60

Application

Special feature	polarisation filter
Function principle	Retro-reflective sensor

Electrical data

Operating voltage [V]	10...36 DC
Current consumption [mA]	15
Protection class	II
Reverse polarity protection	yes
Type of light	red light
Wave length [nm]	624

Outputs

Electrical design	PNP
Output function	light-on mode
Max. voltage drop switching output DC [V]	2.5
Permanent current rating of switching output DC [mA]	150; (200 (...60 °C))
Switching frequency DC [Hz]	1000
Short-circuit protection	yes
Type of short-circuit protection	pulsed
Overload protection	yes

OGP301



Retro-reflective sensor

OGP-HPKG/US100

Detection zone		
Range referred to prismatic reflector [m]	0.03...4; (Prismatic reflector Ø 80 E20005)	
Range adjustable	no	
Max. light spot diameter [mm]	160	
Light spot dimensions refer to	at maximum range	
Polarisation filter available	yes	
Operating conditions		
Ambient temperature [°C]	-25...80	
Protection	IP 65; IP 67; IP 68; IP 69K	
Tests / approvals		
EMC	EN 60947-5-2	
MTTF [years]	500	
Mechanical data		
Weight [g]	55	
Housing	threaded type	
Dimensions [mm]	M18 x 1 / L = 60	
Thread designation	M18 x 1	
Materials	housing: stainless steel (1.4404 / 316L); Sealing: EPDM	
Lens material	PMMA	
Displays / operating elements		
Display	switching status	1 x LED, yellow
Accessories		
Accessories (supplied)	lock nuts: 2 x	
Remarks		
Remarks	operating voltage "supply class 2" according to cULus	
Pack quantity	1 pcs.	
Electrical connection		
Connector: 1 x M12		



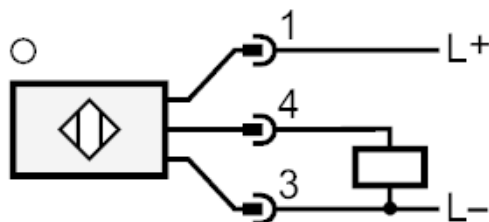
OGP301



Retro-reflective sensor

OGP-HPKG/US100

Connection



Diagrams and graphs

excess gain graph

