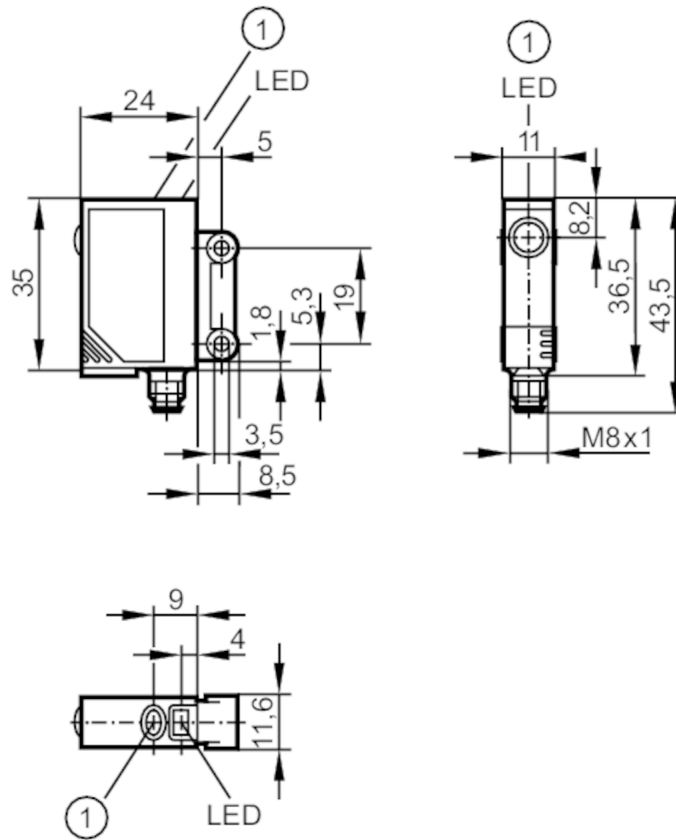




## Retro-reflective laser sensor

OJPLFPKG/SO/AS



1 pushbutton



### Product characteristics

|                        |              |
|------------------------|--------------|
| Type of light          | red light    |
| Laser protection class | 1            |
| Housing                | rectangular  |
| Dimensions [mm]        | 35 x 11 x 24 |

### Application

|                    |                         |
|--------------------|-------------------------|
| Special feature    | polarisation filter     |
| Function principle | Retro-reflective sensor |

### Electrical data

|                             |            |
|-----------------------------|------------|
| Operating voltage [V]       | 10...30 DC |
| Current consumption [mA]    | < 15       |
| Protection class            | III        |
| Reverse polarity protection | yes        |
| Type of light               | red light  |
| Wave length [nm]            | 650        |
| Typ. lifetime [h]           | 50000      |



## Retro-reflective laser sensor

OJPLFPKG/SO/AS

| Outputs   |                  |   |
|---|------------------|---|
| Electrical design                               |                  | PNP   |
| Output function                                 |                  | light-on/dark-on mode; (programmable)   |
| Max. voltage drop switching output DC           | [V]              | 2.5   |
| Permanent current rating of switching output DC | [mA]             | 200   |
| Switching frequency DC                          | [Hz]             | 2000  |
| Short-circuit protection                        |                  | yes   |
| Type of short-circuit protection                |                  | pulsed  |
| Overload protection                             |                  | yes   |
| Detection zone                                  |                  |   |
| Range referred to prismatic reflector           | [m]              | 8; (Prismatic reflector 50 x 50 mm E20722)  |
| Range adjustable                                |                  | yes   |
| Diameter of the smallest detectable object      | [mm]             | 2.5; (0,1 m; 2,5 m: 4; 5 m: 8)  |
| Max. light spot diameter                        | [mm]             | 12  |
| Light spot dimensions refer to                  |                  | at maximum range  |
| Polarisation filter available                   |                  | yes   |
| Operating conditions                            |                  |   |
| Ambient temperature                             | [°C]             | -10...60  |
| Protection                                      |                  | IP 67   |
| Tests / approvals                               |                  |   |
| EMC   |                  | EN 60947-5-2  |
| Laser protection class                          |                  | 1   |
| Notes on laser protection                       | Caution:         | laser light   |
|   | laser class:     | 1   |
|   |                  | EN / IEC60825-1:2007  |
|   |                  | EN / IEC60825-1:2014  |
|   |                  | Complies with 21 CFR 1040 except for deviations pursuant to Laser Notice No. 50, dated June 2007. |
| MTTF  | [years]          | 697   |
| Mechanical data                                 |                  |   |
| Weight  | [g]              | 77  |
| Housing   |                  | rectangular   |
| Dimensions                                      | [mm]             | 35 x 11 x 24  |
| Materials                                       |                  | housing: ABS; LED window: SEPS; pushbutton: SEPS  |
| Lens material                                   |                  | glass   |
| Lens alignment                                  |                  | side lens   |
| Displays / operating elements                   |                  |   |
| Display   | switching status | 1 x LED, yellow   |
|   | operation        | 1 x LED, green  |
|   | function         | 1 x LED, red  |
| Electronic lock                                 |                  | yes   |

# OJ5136



## Retro-reflective laser sensor

OJPLFPKG/SO/AS

### Accessories

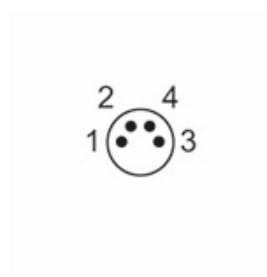
|                        |                     |
|------------------------|---------------------|
| Accessories (supplied) | screws: 2 x         |
|                        | spring washers: 2 x |
|                        | Nuts: 2 x           |

### Remarks

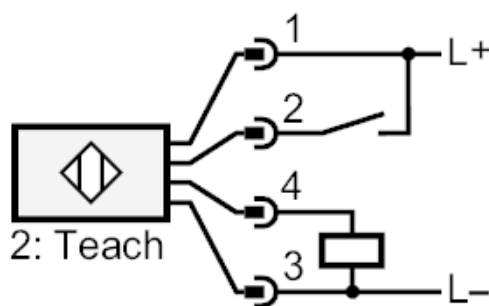
|               |   |
|---------------|---|
| Remarks       | operating voltage "supply class 2" according to cULus |
| Pack quantity | 1 pcs.  |

### Electrical connection

Connector: 1 x M8



### Connection



2 Teach

# OJ5136



## Retro-reflective laser sensor

OJPLFPKG/SO/AS

### Diagrams and graphs

excess gain graph

