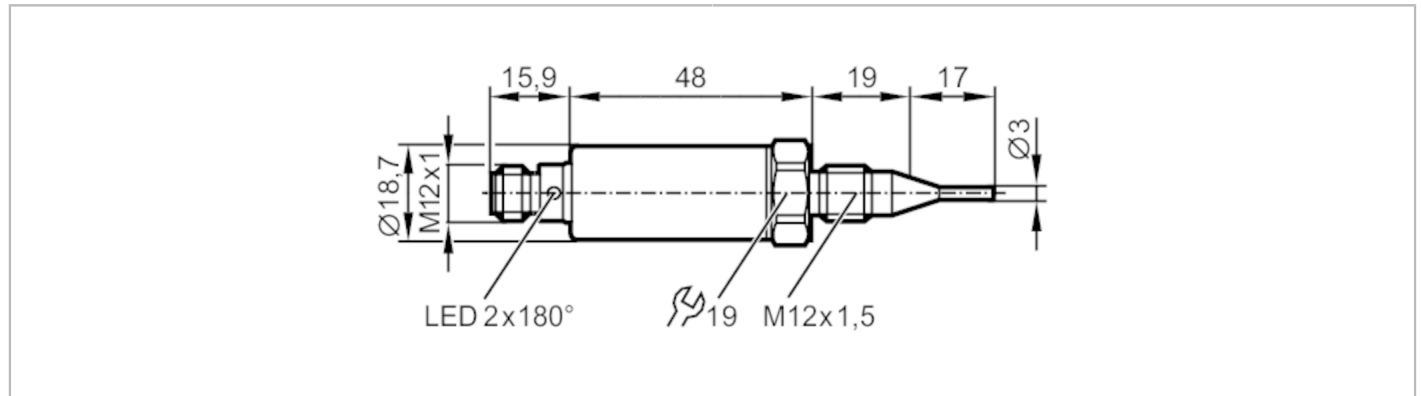


TA1102



Temperature transmitter

TA-017C2EM12- A-ZVG/US



Product characteristics	
Number of inputs and outputs	Number of analogue outputs: 1
Measuring range [°C]	-50...200
Process connection	threaded connection M12 x 1,5 sealing cone
Installation length EL [mm]	17
Application	
Measuring element	1 x Pt 1000; (to DIN EN 60751, class A)
Media	liquids and gases
Pressure rating [bar]	100
Vacuum resistance [mbar]	-1000
Electrical data	
Operating voltage [V]	18...32 DC; ("supply class 2" to cULus)
Current consumption [mA]	< 50
Protection class	III
Reverse polarity protection	yes
Power-on delay time [s]	2
Inputs / outputs	
Number of inputs and outputs	Number of analogue outputs: 1
Outputs	
Total number of outputs	1
Output signal	analogue signal; IO-Link; (configurable)
Number of analogue outputs	1
Analogue current output [mA]	4...20
Max. load [Ω]	250; ((18...19 V); 19...32 V: 300 Ω)
Short-circuit protection	yes
Overload protection	yes
Measuring/setting range	
Measuring range [°C]	-50...200
Factory setting	0...200 °C

TA1102



Temperature transmitter

TA-017C2EM12- A-ZVG/US

Resolution		
Resolution of analogue output [K]		0.04
Accuracy / deviations		
Precision analogue output [K]		$\pm 0,3 + (\pm 0,1 \% \text{ MS})$
Temperature coefficient [% of the span / 10 K]		0,1; (in case of deviation from the reference condition $25 \pm 5 \text{ }^\circ\text{C}$)
Response times		
Dynamic response T05 / T09 [s]		< 0,25 / < 1
Interfaces		
Communication interface		IO-Link
Transmission type		COM2 (38,4 kBaud)
IO-Link revision		1.1
Operating conditions		
Ambient temperature [°C]		-25...80
Note on ambient temperature		at medium temperature: < 160 °C
		-25...60 °C at medium temperature: < 200 °C
Storage temperature [°C]		-40...100
Protection		IP 67; IP 68; IP 69K
Tests / approvals		
EMC		DIN EN 61000-6-2
		DIN EN 61000-6-3
Shock resistance		DIN IEC 68-2-27 50 g (11 ms)
Vibration resistance		DIN IEC 68-2-6 10 g (10...2000 Hz)
MTTF [years]		334
Note on approval		factory certificate available as download at www.factory-certificate.ifm
UL approval		UL Approval no. K002
Mechanical data		
Weight [g]		111.5
Materials		stainless steel (1.4404 / 316L); PEI; FKM
Materials (wetted parts)		stainless steel (1.4404 / 316L) electropolished
Tightening torque [Nm]		20
Process connection		threaded connection M12 x 1,5 sealing cone
Surface characteristics Ra/Rz of the wetted parts		Ra: < 0.8
Probe diameter [mm]		3
Installation length EL [mm]		17
Remarks		
Remarks		MS = set measuring span The values for accuracy apply to flowing water.
Pack quantity		1 pcs.
Electrical connection		
Connector: 1 x M12		

TA1102



Temperature transmitter

TA-017C2EM12- A-ZVG/US



Connection

