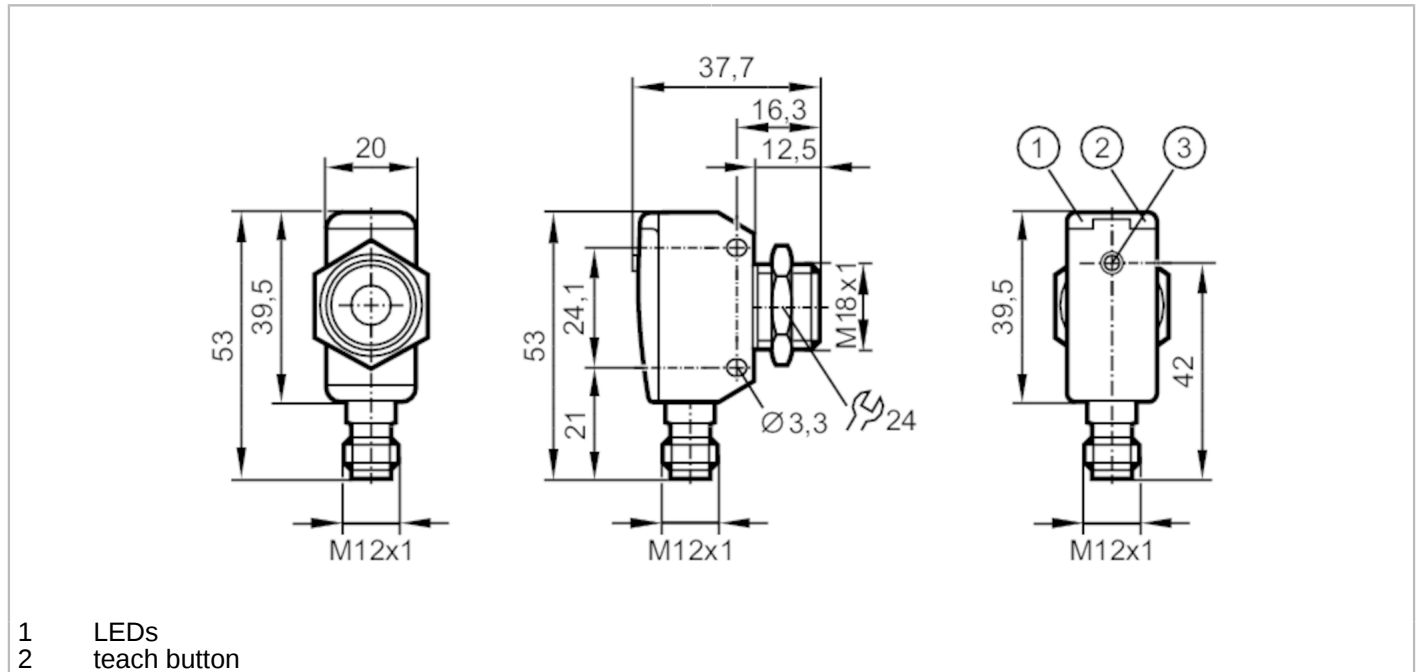


# UGT583



## Ultrasonic sensor

UGQ00800E2KG/US



- 1 LEDs
- 2 teach button



Product characteristics	
Electrical design	PNP
Output function	normally open / normally closed; (parameterisable + 1x voltage output)
Sensing range [mm]	60...800; (Target: 100 x 100 mm)
Housing	rectangular
Dimensions [mm]	M18 x 1
Electrical data	
Operating voltage [V]	10...30 DC; ("supply class 2" to cULus)
Current consumption [mA]	< 35
Protection class	III
Reverse polarity protection	yes
Power-on delay time [s]	< 0.3
Converter frequency [kHz]	230
Inputs / outputs	
Number of inputs and outputs	Number of digital outputs: 1; Number of analogue outputs: 1



## Ultrasonic sensor

UGQ00800E2KG/US

Outputs		
Total number of outputs		2
Electrical design		PNP
Number of digital outputs		1
Output function		normally open / normally closed; (parameterisable + 1x voltage output)
Max. voltage drop switching output DC	[V]	2.2
Permanent current rating of switching output DC	[mA]	100
Switching frequency DC	[Hz]	5
Number of analogue outputs		1
Analogue voltage output	[V]	0...10
Min. load resistance	[Ω]	3000
Short-circuit protection		yes
Overload protection		yes
Detection zone		
Sensing range	[mm]	60...800; (Target: 100 x 100 mm)
Blind zone	[mm]	60
Angle of aperture cylindrical	[°]	15; (±2)
Max. deviation from the 90° angle sensor/object	[°]	± 4
Accuracy / deviations		
Temperature compensation		yes
Hysteresis	[%]	< 1
Switch point drift	[%]	-5...5
Linearity error of analogue output	[%]	≤ 1
Notes on the accuracy / deviation		The indicated values are reached after a warm-up time of min. 20 minutes
Repeatability		1 %
Resolution	[mm]	3
Response times		
Response time	[ms]	< 450; (analogue output)
Operating conditions		
Ambient temperature	[°C]	-20...70
Storage temperature	[°C]	-30...80
Protection		IP 67

# UGT583



## Ultrasonic sensor

UGQ00800E2KG/US

Tests / approvals		
EMC	EN 61000-4-2 ESD	4 kV CD / 8 kV AD
	EN 61000-4-3 HF radiated	3 V/m
	EN 61000-4-4 Burst	2 kV
	EN 61000-4-6 HF conducted	3 V
	EN 55011	Class A
Vibration resistance	EN 60068-2-6 Fc	(10-55) Hz 1 mm amplitude, oscillation period 5 min., 30 min. per axis at resonance or 55 Hz
Shock resistance	EN 60068-2-27 Ea	30 g 11 ms half-sine; 3 shocks each in every direction of the 3 coordinate axes
MTTF	[years]	191
UL approval	Ta	-20...70 °C
	voltage supply	Class 2
	File number UL	E174191

Mechanical data		
Weight	[g]	97.5
Housing		rectangular
Dimensions	[mm]	M18 x 1
Thread designation		M18 x 1
Materials		1.4542 (17-4 PH / 630); PBT; PA; epoxy glass ceramics
Tightening torque	[Nm]	50

Displays / operating elements		
Display	switching status	1 x LED, yellow
	echo	1 x LED, green
Teach function		yes

Accessories		
Accessories (supplied)		lock nuts: 1, stainless steel

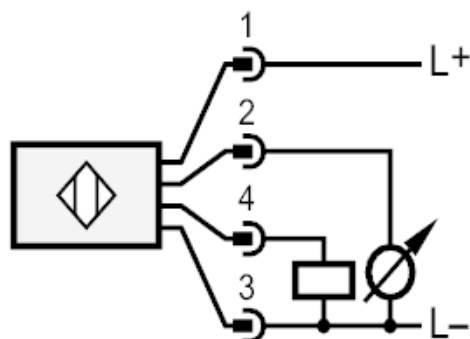
Remarks		
Remarks		operating voltage "supply class 2" according to cULus
Pack quantity		1 pcs.

### Electrical connection

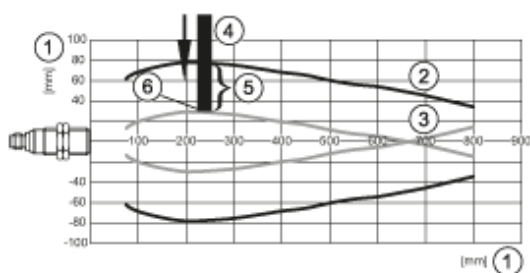
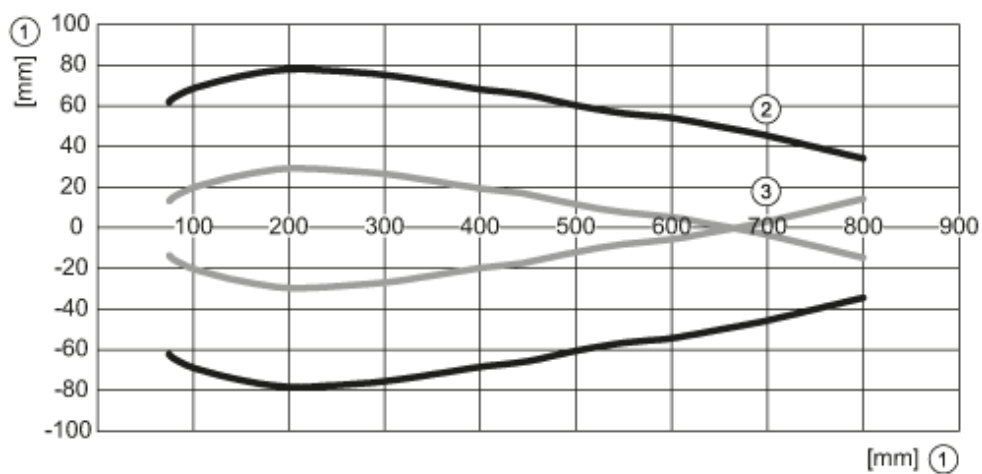
Connector: 1 x M12



### Connection



### Diagrams and graphs



- 1: distance
- 2: Detection zone
- 3: switch-on/switch-off graph
- 4: Target 100 x 100 mm
- 5: 50% of the target in the detection zone
- 6: switch point