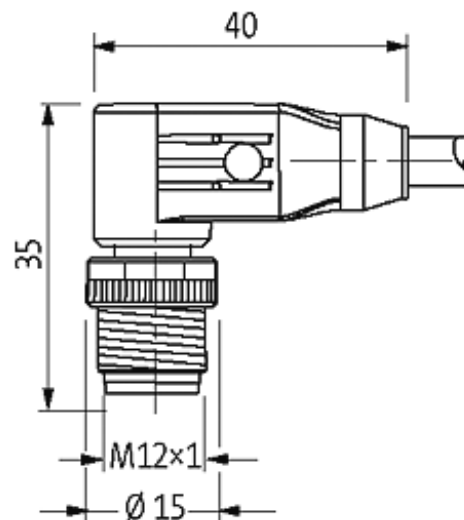
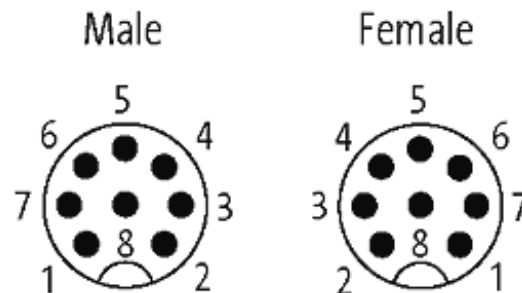
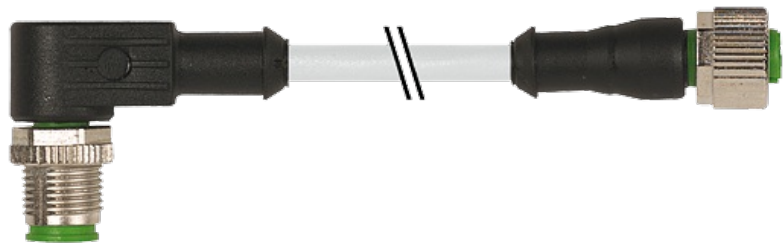


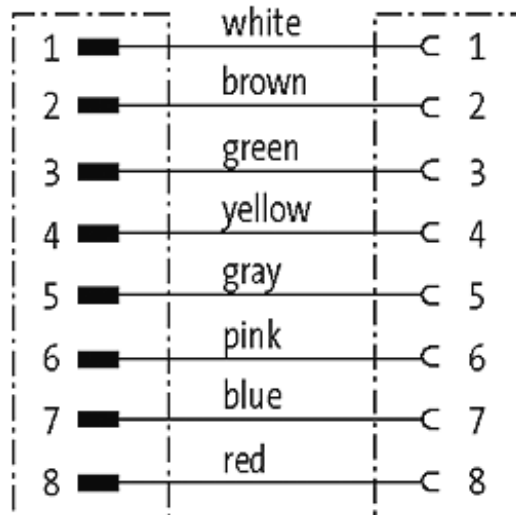
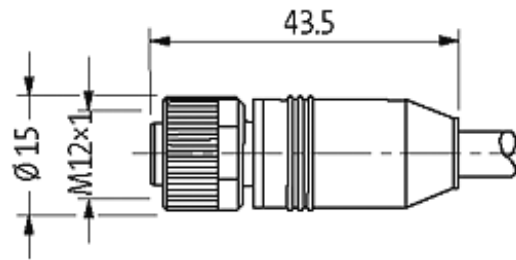
**M12 MALE 90° / M12 FEMALE 0° 8 POLE**

PUR 8x0,25 GRAY, drag ch 0.3m

Male 90° to female straight  
M12 - M12, 8-pole

Plastic housings with good resistance against chemicals and oils. The resistance to aggressive media should be individually tested for your application. Further details on request. Further cable lengths on request.

**[Link to Product](#)****Illustration**



Product may differ from Image

### Approvals



### Form

48031

### Technical Data

Protection	IP67 inserted and tightened (EN 60529)
Operating voltage	30 V AC/DC
Operating current per contact	max. 2 A
Locking of ports	Screw thread M12 × 1 mm (recommended torque 0.6 Nm) self-securing

### Cables

Cable number	295
No./diameter of wires	8 × 0.25 mm <sup>2</sup>
Wire isolation	PP (br, wh, bl, bk, gr, pk, vi, or)
C-track properties	2 Mio.
Torsion	± 180°/m
Jacket Color	gray
Shore hardness outer jacket	85 ± 5A

The information in this brochure has been compiled with the utmost care.

Liability for the correctness completeness and topicality of the information is restricted to gross negligence. Version: 05/15

Material (jacket)	PUR (UL/CSA)
Outer diameter	approx. 6.0 mm
Bend radius (fixed)	7.5 × outer Ø
Bend radius (moving)	10 × outer Ø
Temperature range (fixed)	-40...+80 °C
Temperature range (mobile)	-20...+80 °C

**Commercial data**

country of origin	DE
customs tariff number	85444290
minimum order quantity	1