



ACCESSORY FOR 3KD FRAME SIZE 3 N/PE
TERMINAL WITH PERMANENT JUMPER FLAT
TERMINAL

Model		
product brand name		SENTRON
Product designation		Accessories for switch disconnectors
Design of the product		Neutral conductor/grounding terminal

Suitability		
Suitability for use		For 3KD size 3

Product details		
Product description		With fixed jumper
Height	mm	164
Depth	mm	81

General Product Approval



Further information

Information- and Downloadcenter (Catalogs, Brochures,...)

<http://www.siemens.com/lowvoltage/catalogs>

Industry Mall (Online ordering system)

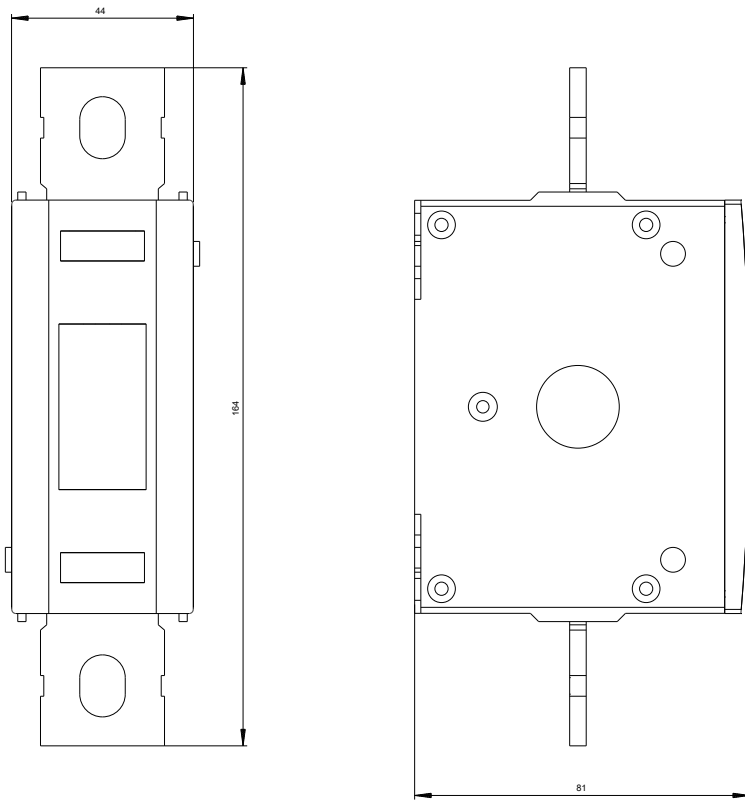
<https://eb.automation.siemens.com/mall/en/WW/Catalog/Product/3KD93067>

Service&Support (Manuals, Certificates, Characteristics, FAQs,...)

<http://support.automation.siemens.com/WW/view/en/3KD93067/all>

Image database (product images, 2D dimension drawings, 3D models, device circuit diagrams, ...)

http://www.automation.siemens.com/bilddb/cax_en.aspx?mlfb=3KD93067



last modified:

11.03.2015