



The innovative connector (accessory) enables traffic light combinations to be created in a matter of seconds

- LED Permanent Beacon in attractive quadratic form
- Innovative connector to create traffic light combinations
- Easy assembly due to quick-release screws
- Thread/membrane combination keeps cabling requirements to a minimum
- Also available in 48 V

Life duration up to 50,000 hrs

### TECHNICAL SPECIFICATIONS:

<b>Dimensions (L x H x W):</b>	85 mm x 85 mm x 72 mm
<b>Housing:</b>	PP-GF, black
<b>Lens:</b>	PC, transparent
<b>Connection:</b>	Screw terminal with wire protection, max. 1.5 mm <sup>2</sup>
<b>Fixing:</b>	Wall, base and ceiling mounting
<b>Current consumption:</b>	Max. 80 mA at 24 V
<b>Equipment:</b>	Elastic self-sealing membranes for cable entry without tools Eight integrated M20 threads, no nuts required Optional use of a cable gland, thread length of cable gland ≤ 9 mm (accessory)
<b>Assembly:</b>	Incl. snap-on fixing bracket (optional use, see page 152)

### ORDER SPECIFICATIONS:

Voltage	12 V DC	24 V DC	48 V AC	115-230 V AC
red	853 100 54	853 100 55	853 100 66	853 100 60
green	853 200 54	853 200 55	853 200 66	853 200 60
yellow	853 300 54	853 300 55	853 300 66	853 300 60
clear	853 400 54	853 400 55	853 400 66	853 400 60
blue	853 500 54	853 500 55	853 500 66	853 500 60

### ACCESSORIES:

Connector for traffic light combinations	975 853 01
Cable gland M20 x 1.5 mm, 8mm thread length	975 853 02

### ADDITIONAL INFORMATION:

#### Combinations made easy

The LED Beacon 853 can be easily turned into a traffic light combination. Simply attach different coloured beacons together using the connector.

The eight cable entries with both self-sealing membranes and integrated M20 threads enable additional beacons to be attached to every side. There is no limit to the range of possible lighting designs that can be created.

Traffic light configurator at [www.werma.com](http://www.werma.com)



#### Sizes of Permanent Beacons



### TECHNICAL DIAGRAMS: see page 321

See note on page 347



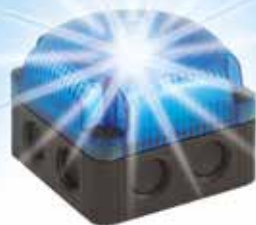


- LED Double Flash Beacon in attractive quadratic form
- Intense double flash with low power consumption
- Innovative connector to create traffic light combinations
- Easy assembly due to quick-release screws
- Thread/membrane combination keeps cabling requirements to a minimum
- Also available in 48 V

### TECHNICAL SPECIFICATIONS:

<b>Dimensions (L x H x W):</b>	85 mm x 85 mm x 72 mm
<b>Housing:</b>	PP-GF, black
<b>Lens:</b>	PC, transparent
<b>Connection:</b>	Screw terminal with wire protection, max. 1.5 mm <sup>2</sup>
<b>Fixing:</b>	Wall, base and ceiling mounting
<b>Current consumption:</b>	Max. 80 mA at 24 V
<b>Equipment:</b>	Eight self-sealing membranes for cable entry without tools Eight integrated M20 threads, no nuts required Optional use of a cable gland, thread length of cable gland ≤ 9 mm (accessory) Incl. snap-on fixing bracket (optional use)

**Life duration up to 50,000 hrs**



Intense double flash effect with low power consumption

### ORDER SPECIFICATIONS:

Voltage	12 V DC	24 V DC	48 V AC	115-230 V AC
red	853 110 54	853 110 55	853 110 66	853 110 60
green	853 210 54	853 210 55	853 210 66	853 210 60
yellow	853 310 54	853 310 55	853 310 66	853 310 60
clear	853 410 54	853 410 55	853 410 66	853 410 60
blue	853 510 54	853 510 55	853 510 66	853 510 60

### ACCESSORIES:

Connector for traffic light combinations (For further information see page 135)	975 853 01
Cable gland M20 x 1.5 mm 8 mm thread length	975 853 02

### ADDITIONAL INFORMATION:

#### Save time installing the product

To fix the 853 beacon to the wall four holes have to be drilled. To speed things up the snap-on fixing bracket delivered with the beacon offers a time-saving alternative: simply drill two holes to attach the fixing bracket to the wall and snap the beacon onto it.

The cable can be fed through one of the eight self-sealing membranes without any tools saving 30% of the usual installation time. Once the cable has been connected to the terminals, the lens can be clipped onto the base and secured using the four captive quick-release screws.



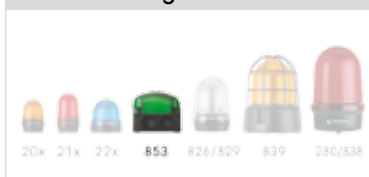
Easy assembly due to quick-release screws

### TECHNICAL DIAGRAMS:

see page 321



#### Sizes of Flashing Beacons





The innovative connector (accessory) enables traffic light combinations to be created in a matter of seconds



Three highly visible light effects are available



The LED beacon can be used with the sounder

- LED Permanent, LED Double Flash or LED EVS\* Beacon in attractive quadratic form
- Innovative connector to create traffic light combinations
- Easy assembly due to quick-release screws
- Thread/membrane combination keeps cabling requirements to a minimum



**TECHNICAL SPECIFICATIONS:**

Life duration up to 50,000 hrs

Dimensions (L x H x W):	85 mm x 85 mm x 72 mm
Housing:	PP-GF, black
Lens:	PC, transparent
Connection:	Screw terminal with wire protection, max. 1.5 mm <sup>2</sup>
Fixing:	Wall, base and ceiling mounting
Possible colours:	Red, green, yellow, clear, blue
Operating voltage:	12 V DC, 24 V DC, 115-230 V AC
Current consumption:	Max. 80 mA at 24 V (LED Permanent Beacon) Max. 80 mA at 24 V (LED Double Flash Beacon) Max. 200 mA at 24 V (LED EVS Beacon)
Equipment:	Eight self-sealing membranes for cable entry without tools Eight integrated M20 threads, no nuts required Optional use of a cable gland, thread length of cable gland ≤ 9 mm (accessory)
Assembly:	Incl. snap-on fixing bracket (optional use)



**ORDER SPECIFICATIONS:**

LED Permanent Beacon 853	see page 135
LED Double Flash Beacon 853	see page 152
LED EVS Beacon 853	see page 153
Sounder 153	see page 252



**ACCESSORIES:**

Connector for traffic light combinations	975 853 01
Cable gland M20 x 1.5 mm, 8 mm thread length	975 853 02



**ADDITIONAL INFORMATION:**

**Combinations made easy**

The LED Beacon 853/Sounder 153 can be easily turned into a traffic light combination. Simply attach different coloured beacons or sounder together using the connector.

The eight cable entries with both self-sealing membranes and integrated M20 threads enable additional beacons to be attached to every side. There is no limit to the range of possible lighting designs that can be created.

Traffic light configurator at [www.werma.com](http://www.werma.com)



Individual lighting designs thanks to eight possible cable entries



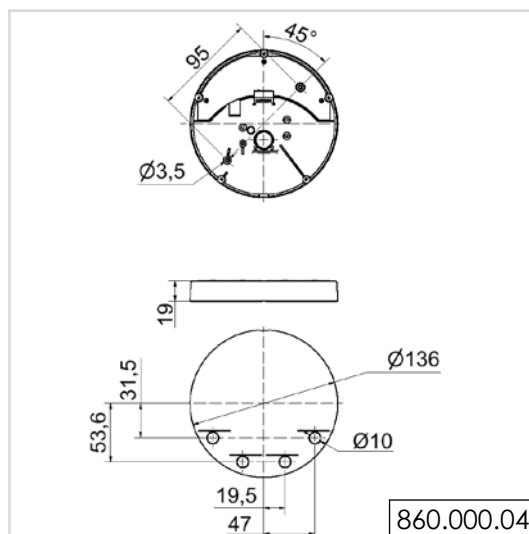
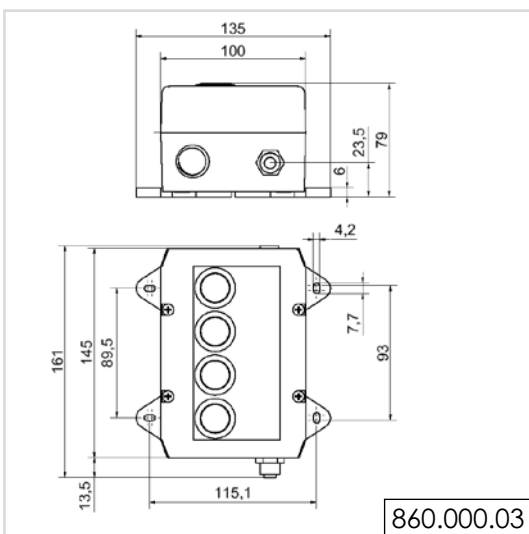
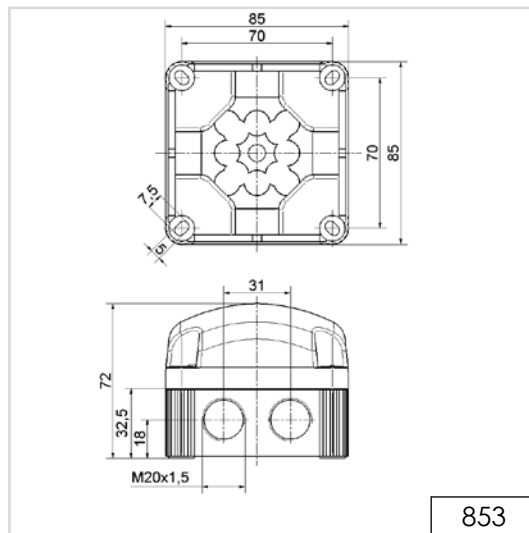
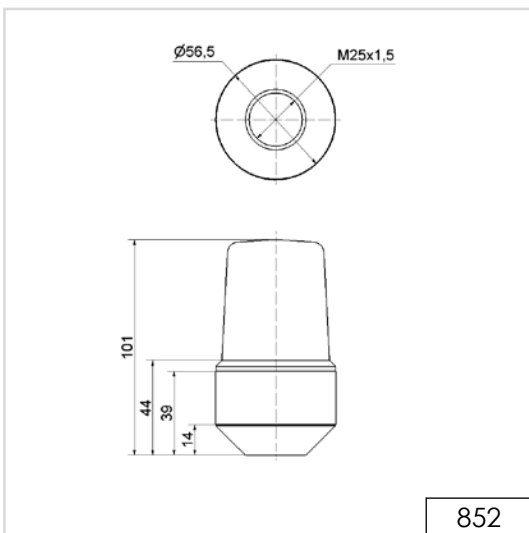
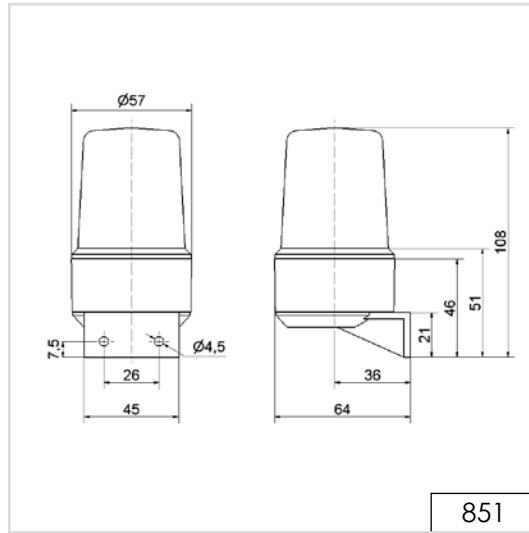
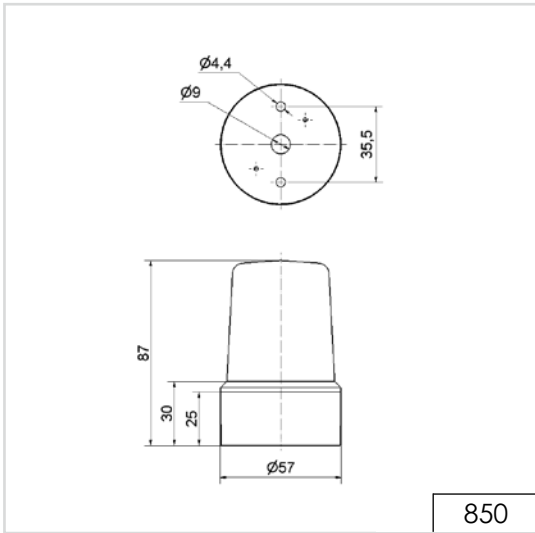
**TECHNICAL DIAGRAMS:**

see page 321

See note on page 347

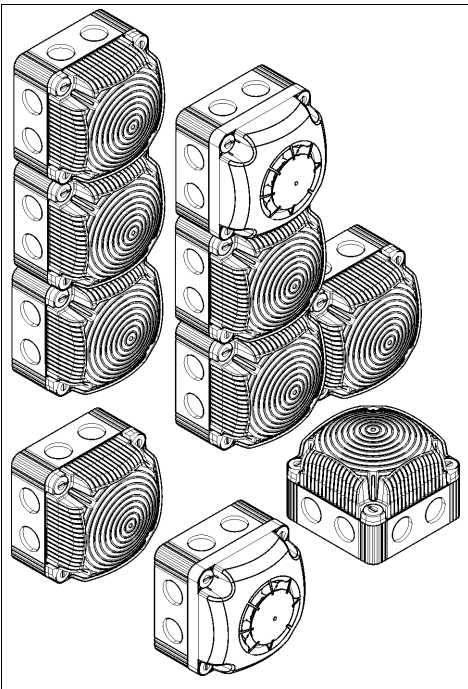
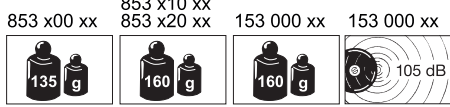
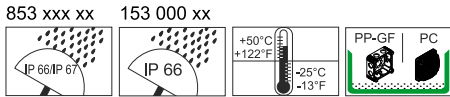
CE	EAC	853 X00 XX 135 g	853 X10 XX 130 g	853 X20 XX 130 g	IP67	+50°C -25°C	24 V PLC
----	-----	---------------------	---------------------	---------------------	------	----------------	-------------



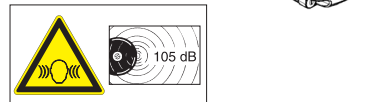
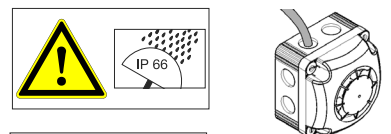
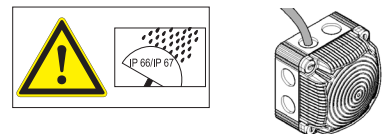
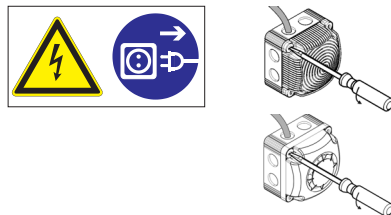


**! ADDITIONAL INFORMATION:**

You are welcome to request the technical diagrams in digital form. The relevant 3D models, instruction leaflets and connection diagrams can be obtained from us or downloaded from our homepage at any time.



- ⓓ Anschluss **ausschließlich** durch ausgebildete Elektro-Fachkräfte.
- ⓖⓑ Electrical connection is to be made by trained electrical specialists **only**.
- ⓕ Le branchement doit **uniquement** être effectué par des professionnels.
- ⓓ Il collegamento deve essere eseguito **solo** da elettricisti specializzati.
- ⓔ La conexión **sólo** debe ser realizada por electricistas debidamente formados.
- ⓐ A ligação deve ser feita **exclusivamente** por profissional elétrico especializado.
- ⓃL De aansluiting mag **enkel** gebeuren door erkende vakmensen.
- ⒸZ Připojení smí **provádět** pouze kvalifikovaný personál.
- ⓐL Podłączenie **wyłącznie** przez specjalistów-elektryków.
- ⓕI Liittäminen kuuluu **ainoastaan** koulutettujen sähköalan ammattilaisten tehtäviin.
- ⓐRUS Подключение проводится только специалистом-электриком.
- ⓐTR Bağlantı **sadece** eğitimli elektrik teknisyenleri tarafından yapılmalıdır.
- ⓃN 布线需由专业电工执行



853 x20 xx

- ⓓ Bei Epilepsie ungeeignet!
- ⓖⓑ Unsuitable for epilepsy sufferers
- ⓕ Ne convient pas aux personnes souffrant d'épilepsie
- ⓓ Inadatto per epilettici
- ⓔ Inadecuado para epilépticos
- ⓐ PT Não aconselhavel a pessoas que sofrem de Epilepsia
- ⓃL Niet geschikt voor epileptici.
- ⒸZ Nevhodné pro epileptiky
- ⓐL Nie stosować przy zchorzeniu padaczki
- ⓕI Ei sovellu epilettikoille
- ⓐRUS Не подходит для страдающих эпилепсией
- ⓐTR Epilepsi hastalığı olanların kullanmaması önerilir
- ⓃN 不适用于癫痫病患者



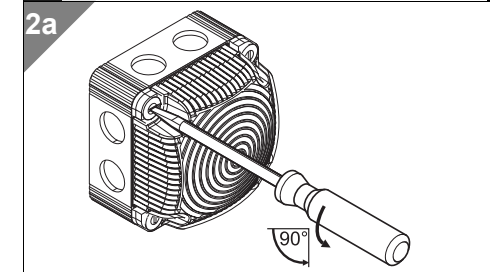
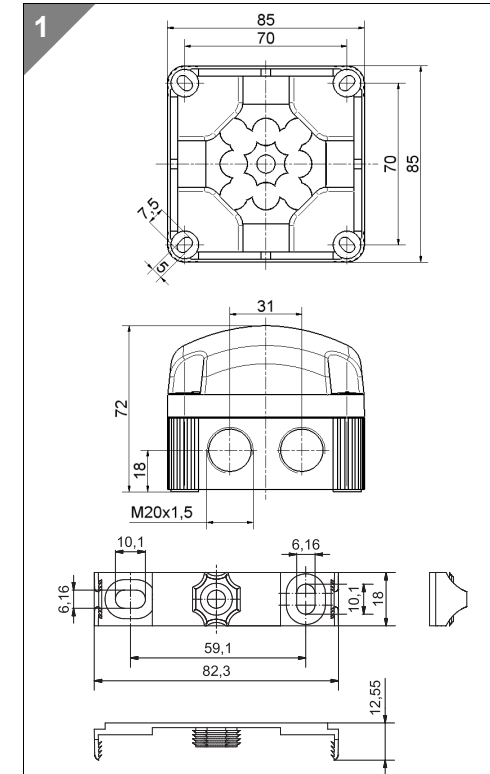
853 x00 54	12 VDC, ≤ 180 mA, I <sub>0</sub> < 1250 mA
853 x00 55	24 VDC, ≤ 80 mA, I <sub>0</sub> < 500 mA
853 x00 66	48 V~, ≤ 35 mA, I <sub>0</sub> < 200 mA
853 x00 60	115–230 V~, ≤ 40 mA, I <sub>0</sub> < 7 A
853 x10 54	12 VDC, ≤ 100 mA, I <sub>0</sub> < 1250 mA
853 x10 55	24 VDC, ≤ 80 mA, I <sub>0</sub> < 500 mA
853 x10 66	48 V~, ≤ 90 mA, I <sub>0</sub> < 2 A
853 x10 60	115–230 V~, ≤ 180 mA, I <sub>0</sub> < 7 A
853 x20 54	12 VDC, ≤ 400 mA, I <sub>0</sub> < 1250 mA
853 x20 55	24 VDC, ≤ 200 mA, I <sub>0</sub> < 500 mA
853 x20 66	48 V~, ≤ 95 mA, I <sub>0</sub> < 2 A
853 x20 60	115–230 V~, ≤ 180 mA, I <sub>0</sub> < 7 A
153 000 54	12 VDC, ≤ 70 mA, I <sub>0</sub> < 500 mA
153 000 55	24 VDC, ≤ 120 mA, I <sub>0</sub> < 500 mA
153 000 66	48 V~, ≤ 150 mA, I <sub>0</sub> < 2 A
153 000 60	115–230 V~, ≤ 75 – ≤ 150 mA, I <sub>0</sub> < 7 A

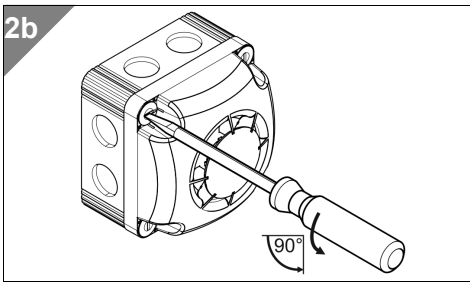


(vgl. Abb. 7b,c / see Fig. 7b,c / ref. III. 7b,c)

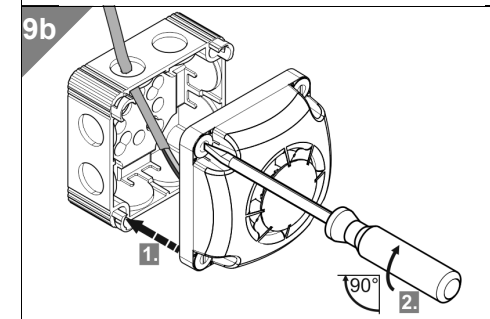
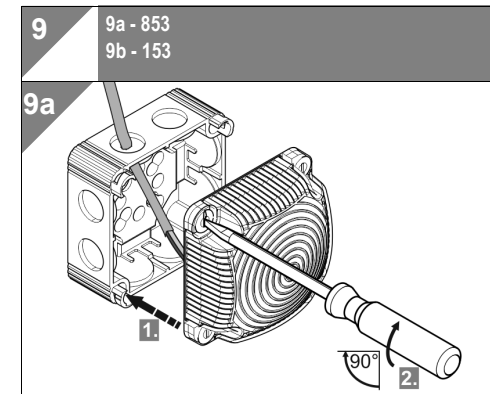
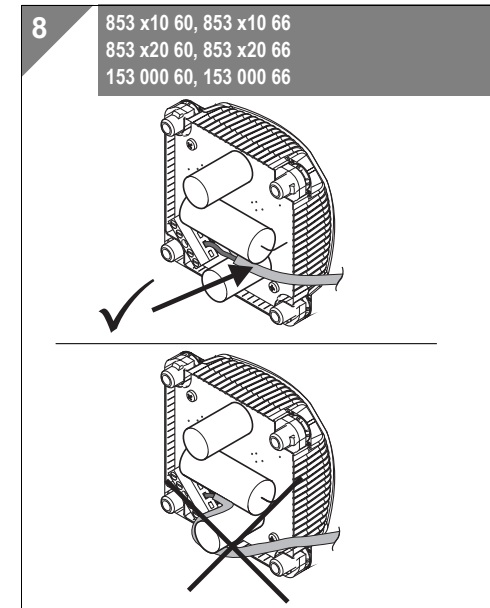
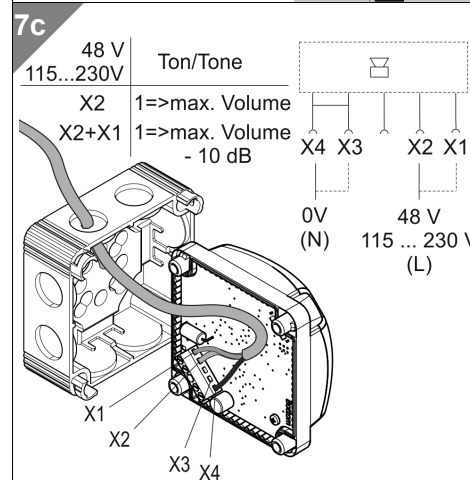
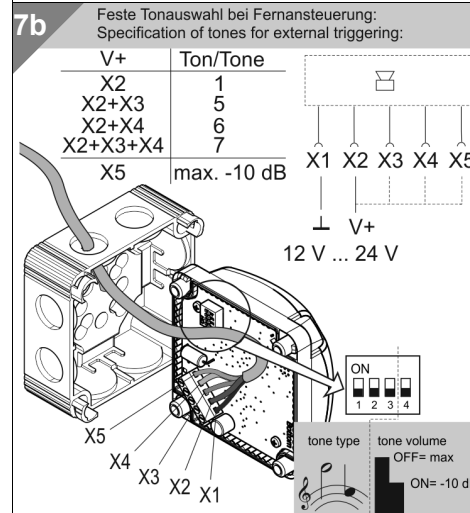
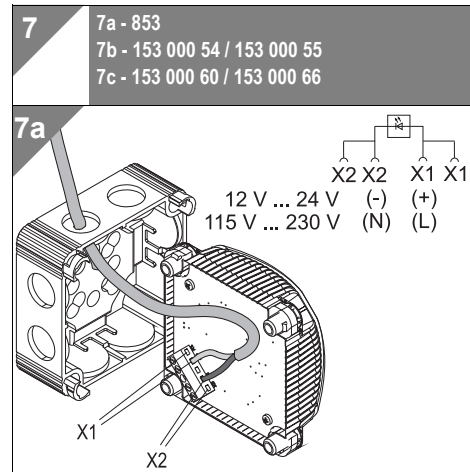
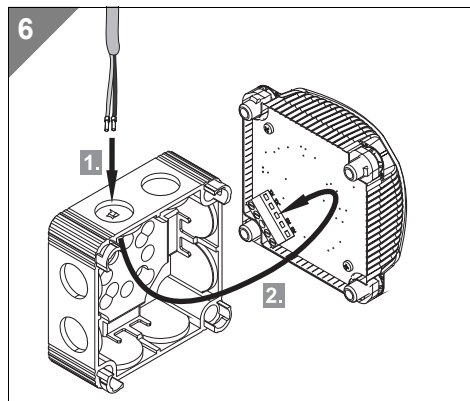
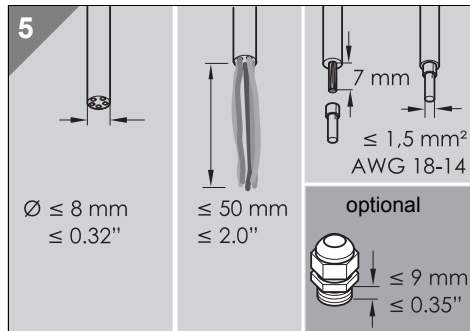
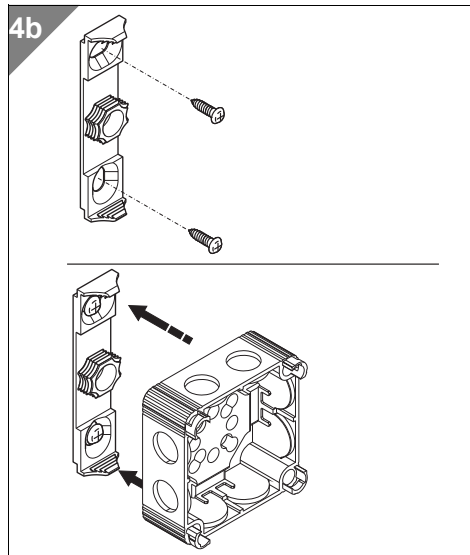
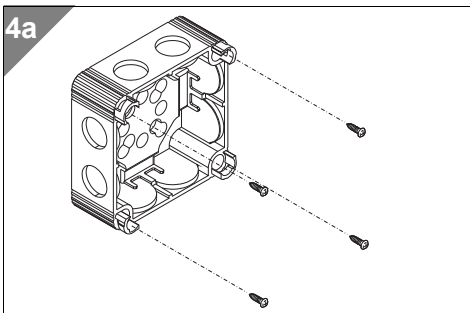
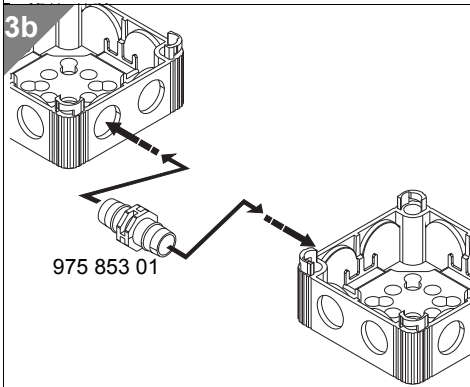
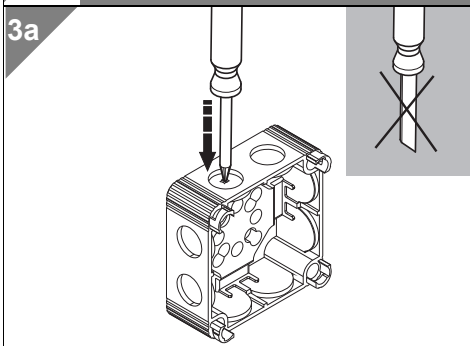
Stufe Stage Niveau	Code	Tonart Tone type Tonalité	Frequenz Frequencies Fréquence
1	000	Dauerton, continuous, continu	ca. 3000 Hz
2	001	Huperton, horn tone, trompe	ca. 110 Hz
3	010	1 Hz Ton, 1 Hz tone, 1 Hz ton	ca. 3000 Hz
4	011	20 Hz Trillerton, 20 Hz whistle tone, 20 Hz trille	ca. 3000 Hz
5	100	ansteigend, rising, montant	800 - 970 Hz @ 1 Hz

6	101	ansteigend, rising, montant	2400 - 2850 Hz @ 7 Hz
7	110	abfallend, falling, incliné	1200 - 500 Hz @ 1 Hz
8	111	alternierend, alternating, alternant	800/1200 Hz @ 1 Hz





**3**  
3a - 853  
3b - 853 + 975 853 01



310.853.001.0714

© D

**WERMA**  
SIGNALTECHNIK