

(2.00 mm) .0787"

SQT SERIES

COST-EFFECTIVE RUGGED SOCKETS

SPECIFICATIONS

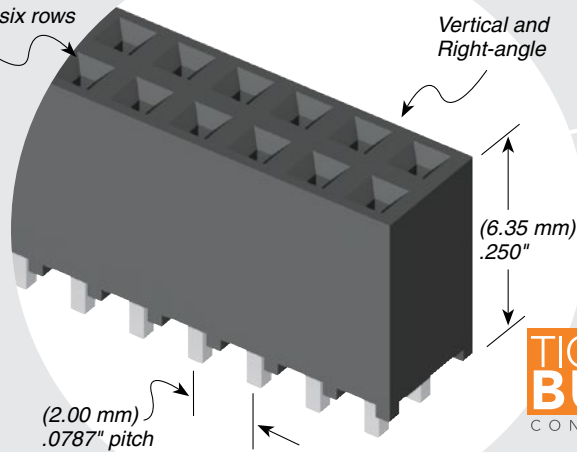
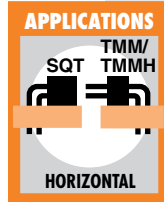
For complete specifications see www.samtec.com?SQT

- Insulator Material:** Black Liquid Crystal Polymer
- Contact Material:** Phosphor Bronze
- Plating:** Sn or Au over 50 μ" (1.27 μm) Ni
- Current Rating (TMMH/SQT):** 5.1 A per pin (2 pins powered)
- Voltage Rating:** 281 VAC mated with TMM; 250 VAC mated with TMMH
- Operating Temp Range:** -55 °C to +125 °C
- Insertion Depth:** (2.62 mm) .103" to (5.03 mm) .198"
- Normal Force:** 60 grams (0.59 N) average
- Max Cycles:** 100 with 10 μ" (0.25 μm) Au
- RoHS Compliant:** Yes
- Lead-Free Solderable:** Yes

- Board Mates:** TMMH, TMM, MTMM, MMT, TW, LTMM, ZLTMM, ESQT, PTT, TSH
- Cable Mates:** TCMD

Choice of one through six rows

Vertical and Right-angle



RECOGNITIONS

For complete scope of recognitions see www.samtec.com/quality



Note: Some lengths, styles and options are non-standard, non-returnable.

Other Solutions

- Elevated**
See ESQT Series.
- Surface Mount**
See SQW and TLE Series.
- Low Profile**
See CLT Series.
- High Reliability**
See SMM Series.
- Press-Fit**
See PTF Series.

SQT	1	NO. PINS PER ROW	LEAD STYLE	PLATING OPTION	ROW OPTION	OTHER OPTION
		02 thru 50	Specify LEAD STYLE from chart	<ul style="list-style-type: none"> -F = Gold flash on contact, Matte Tin on tail -L = 10 μ" (0.25 μm) Gold on contact, Matte Tin on tail 	<ul style="list-style-type: none"> -S = Single Row -D = Double Row -T = Triple Row -Q = Four Row -5 = Five Row -6 = Six Row 	<ul style="list-style-type: none"> -RA = Right-angle (-Q, -5 & -6 Row not available) (Lead Style -01 only) -"XXX" = Polarized Position (Indicate position number)

LEAD STYLE	A
-01	(2.29) .090
-02	(15.24) .600
-03	(5.28) .208

$\text{No. of positions} \times (2.00) .0787 + (0.30) .012$
 (0.38) .015 (0.51) .020 SQ (2.00) .0787 TYP (6.35) .250

(2.00) .0787 TYP (1.27) .050 (2.29) .090 (2.00) .0787

-RA OPTION
(-Q, -5 & -6 not available)

Due to technical progress, all designs, specifications and components are subject to change without notice.