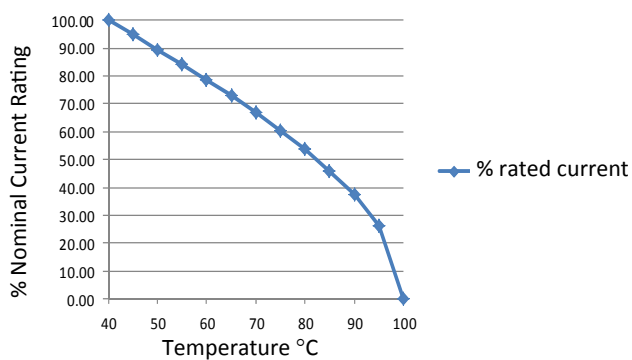


RES20 Chassis Mounted Filter High Differential Mode

The RES20 series of single phase filters from Roxburgh are designed for quick and easy chassis mounting. Featuring high differential attenuation the RES20 series is suitable for a broad range of applications.



**Temperature Derating Curve for EMC Filters
Rated at 40°C Ambient and 100°C Maximum**



Call us on:
Tel: +44 (0) 1724 273200

Features:

- 1 Amp to 60 Amp
- Single phase high differential attenuation
- UL approved E191581
- For use from DC to 400Hz

Benefits:

- Compact size for rated current
- Fast-on, screw or wire terminations
- Quick and Easy Mounting

Application Examples:

- Lighting
- Electrical and electronic equipment
- Consumer goods
- Household equipment
- Building automation
- Machinery
- Electronic data/communication processing equipment
- Office automation

Full technical specification on page 2

Performance Curves on page 3

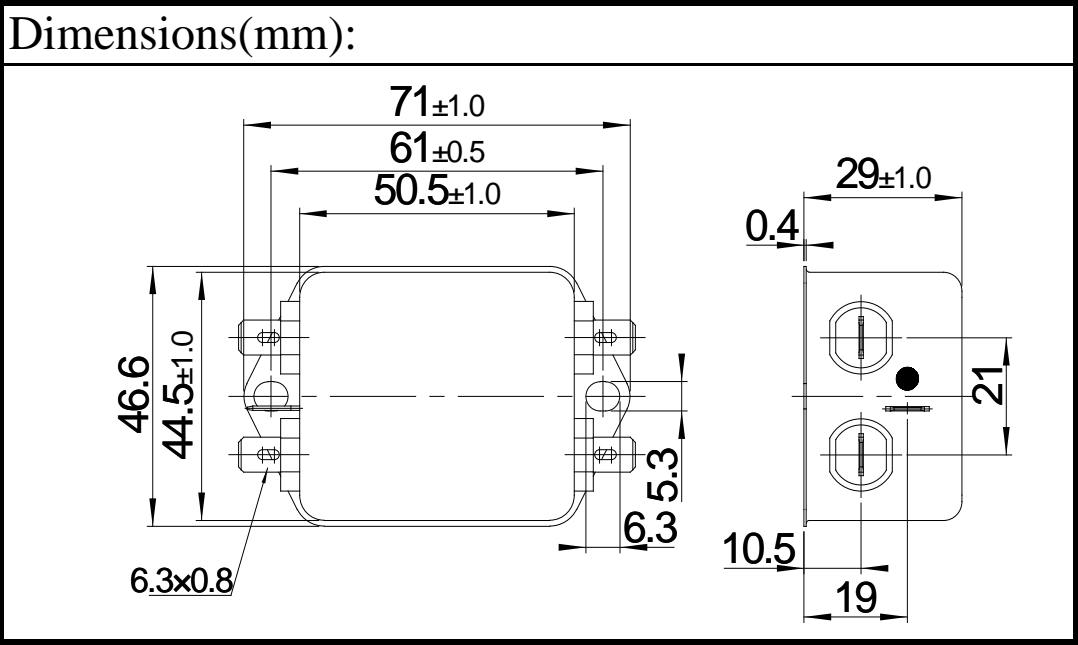
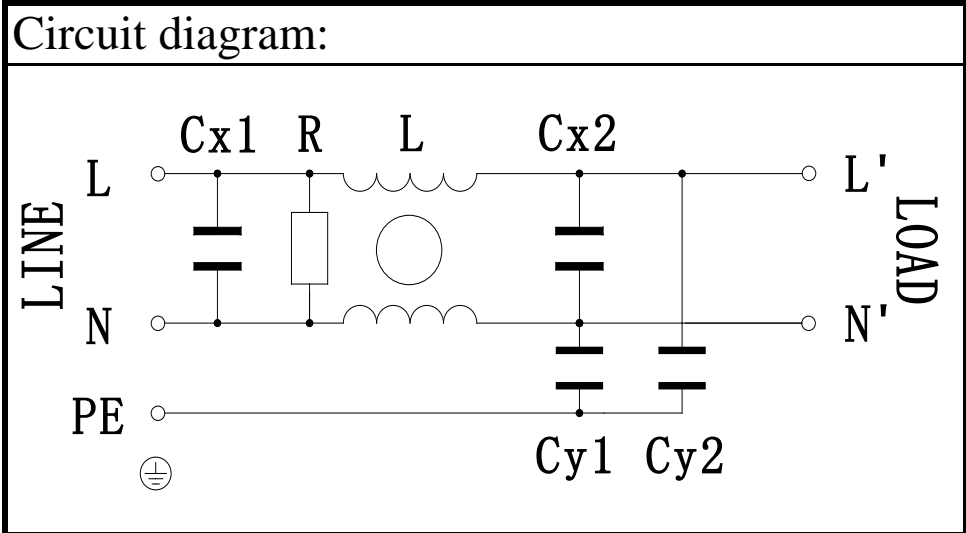
Other options in this range on page 4

DEM Manufacturing
Deltron Emcon House
Hargreaves Way
Sawcliffe Industrial Park
Scunthorpe, North Lincolnshire.
DN15 8RF



Tel: +44 (0) 1724 273200
Email: sales@dem-uk.com

Web: www.dem-uk.com/roxburgh



Electrical parameters:

Rated Voltage:	120/250VAC
Rated Current at an ambient temp:	16A@40°C
Operating Frequency:	50/60Hz
Climatic Class(IEC60068-1):	25/100/21
Operational Leakage current: (at 250VAC/50Hz and Total C +/-20%)	0.8mA max (RES20F16-M 0mA)
Operational Leakage current: (at 120VAC/60Hz and Total C +/-20%)	0.46mA max (RES20F16-M 0mA)
Test Voltage(100%)for 2 sec:	L-N:
	L/N-PE:

Filter parameters:

Total Inductance(L-L'/N-N'):	0.65mH +50%,-35%
Total Capacitance(L-N/L'-N'):	0.3uF +/-20%
Total Capacitance(L/N-PE) (RES20F16-M):	9.4nF +/-20%(0nF)
Total Resistance(L-N/L'-N'):	1MΩ +/-10%
Weight(Approximate):	120g

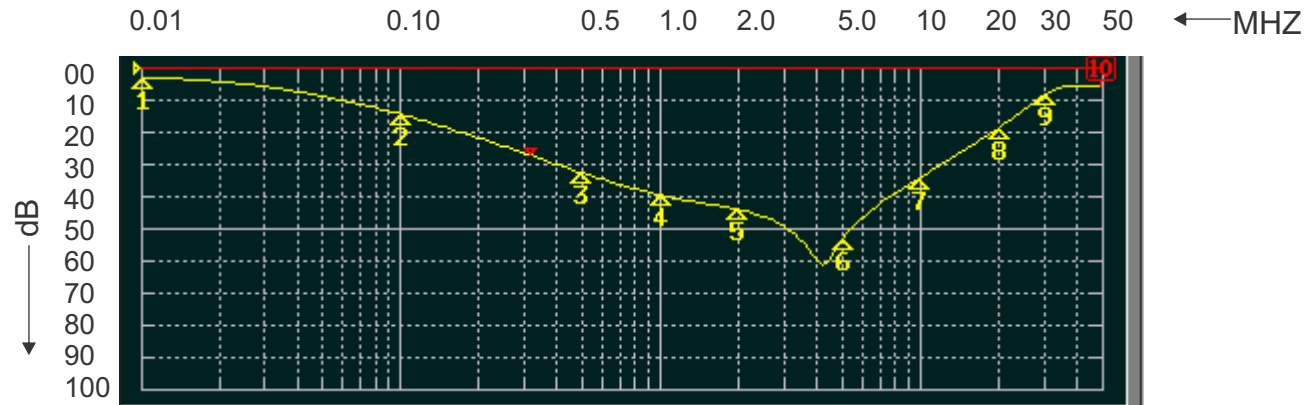
Safety certification				Technical Specification		
UL	<input checked="" type="checkbox"/>	CSA	<input checked="" type="checkbox"/>	compiled by	Jay Zhang	2020-8-5
ENEC	<input checked="" type="checkbox"/>	CQC	<input type="checkbox"/>	reviewed by	Pallas Wang	2020-8-5
CE	<input checked="" type="checkbox"/>	VDE	<input type="checkbox"/>	approved by	Henry Huang	2020-8-5

+44 (0)1724 273200
sales@dem-uk.com
www.dem-uk.com/roxburgh

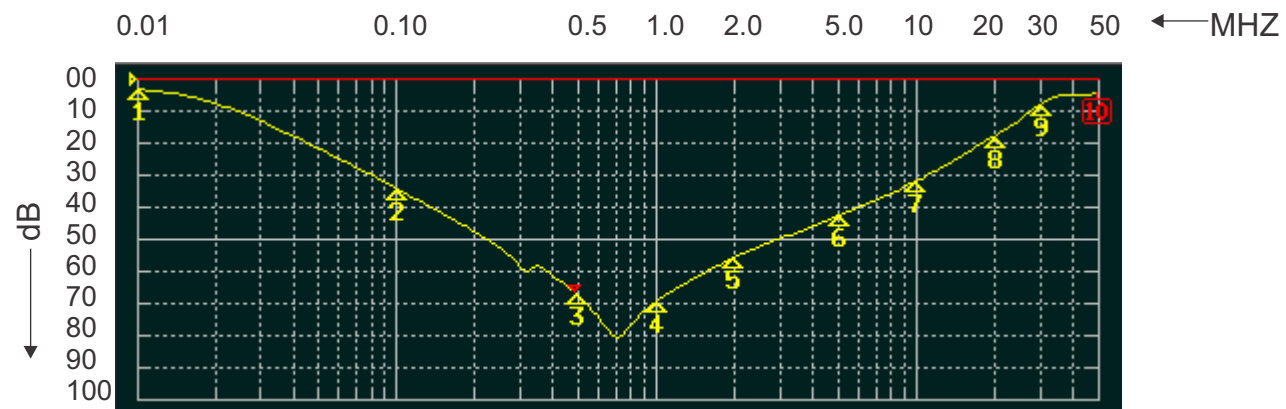
Part RES20F16 Number (Alternate RES20F16-M - no Y caps)	single-phase emc filter	
	stage marker	V1.03

ROXBURGH EMC
FILTER INSERTION LOSS CHARACTERISTICS
CISPR 17 - 50 OHM METHOD

RES20F16



COMMON MODE



DIFFERENTIAL MODE



RES20 Chassis Mounted Filter

High Differential Mode

Options Available:

Part Number	Rated Current	Leakage Current @	Inductance	Capacitance	Capacitance	Resistance	Connection Type	
	@40°C	230V/50Hz	ΣL	ΣCx	ΣCy	ΣR		
	A	mA	mH	uF	nF	K Ω		
RES20F01	1	0.74	12	0.3	9.4	1000	F	W
RES20F03	3	0.74	2.5	0.3	9.4	1000	F	W
RES20F06	6	0.74	1	0.3	9.4	1000	F	W
RES20F10	10	0.74	0.8	0.3	9.4	1000	F	W
RES20F12	12	0.74	0.7	0.3	9.4	1000	F	W
RES20F16	16	0.74	0.65	0.3	9.4	1000	F	W
RES20F20	20	0.74	0.6	0.3	9.4	1000	F	W
RES20S20	20	0.74	0.6	0.3	9.4	1000	W	S
RES20S30	30	0.87	0.67	0.94	20	470		S
RES20S60	60	0.87	1	3	20	220		S



Call us on:

Tel: +44 (0) 1724 273200



DEM Manufacturing

Deltron Emcon House, Hargreaves Way, Sawcliffe Industrial Park,
Scunthorpe, North Lincolnshire, DN15 8RF

Tel: +44 (0) 1724 273200

Email: sales@dem-uk.com

Web: www.dem-uk.com/roxburgh