

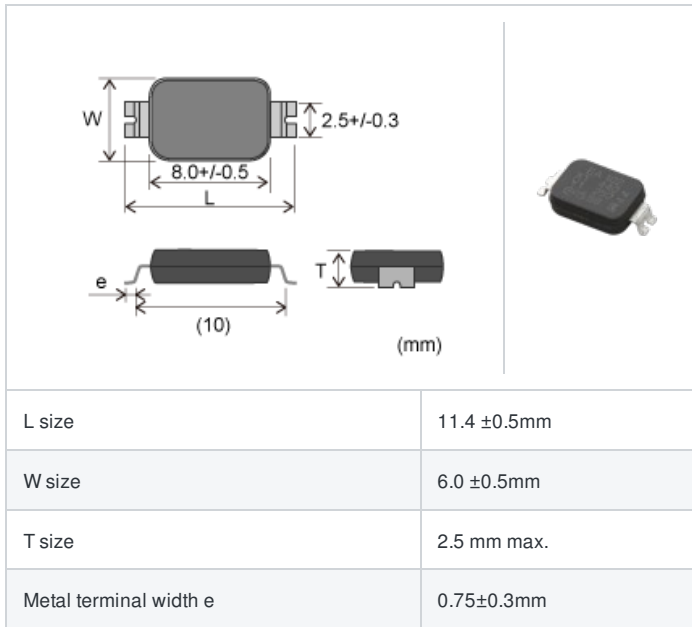
DK11XEA100K86RAH01

"#" indicates a package specification code.



< List of part numbers with package codes >
DK11XEA100K86RAH01

Shape



References

Packaging	Specifications	Minimum quantity
R	φ330mm Embossed taping	2500

Specifications

Capacitance	10pF ±10%
Rated voltage	Y1 250Vac(r.m.s.)
Temperature characteristics (complied standard)	SL(JIS)
Temperature coefficient	+350 to -1000ppm/°C
Temperature range of temperature characteristics	20 to 85°C
Operating temperature range	-40 to 125°C

⚠ Attention

- 1.This datasheet is downloaded from the website of Murata Manufacturing Co., Ltd. Therefore, it's specifications are subject to change or our products in it may be discontinued without advance notice. Please check with our sales representatives or product engineers before ordering.
- 2.This datasheet has only typical specifications because there is no space for detailed specifications. Therefore, please review our product specifications or consult the approval sheet for product specifications before ordering.