

233-572

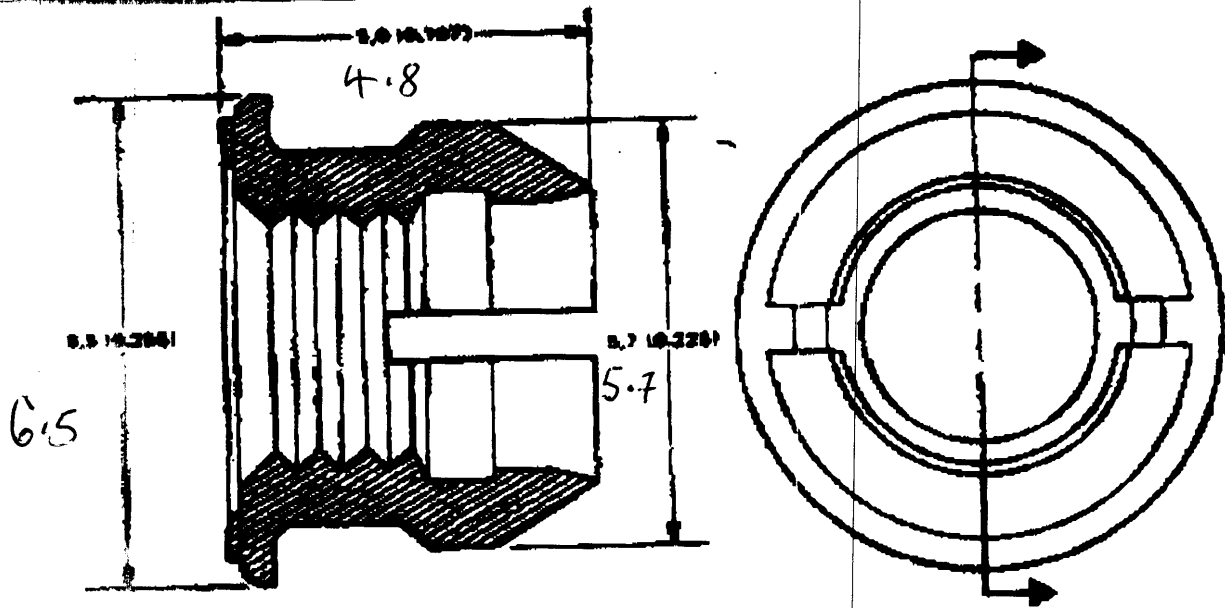
LED PANEL MOUNTING BUSHING

2000, SEPTEMBER 1998

FORMERLY TIL20MC FOR LIGHT-EMITTING DIODES SIMILAR IN SIZE TO LAMP STYLE T1

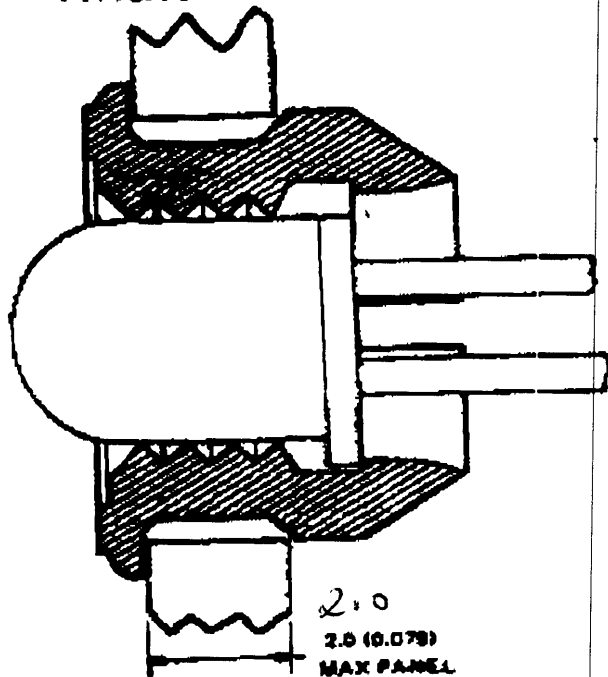
Installation instructions

The bushing can be mounted in any panel having a thickness up to 2 mm (5/64 inch). To mount the bushing, drill a hole of diameter 5.2 mm (13/64 or 0.205 inch) and remove the extruded burr. Insert the bushing through the front of the panel. While holding the bushing in place, insert the LED from the rear of the panel until the LED snaps into place.



ALL DIMENSIONS ARE IN MILLIMETERS AND PARENTHEMICALLY IN INCHES AND ARE NOMINAL

TYPICAL INSTALLATION



LEDs