

5.08mm Pluggable Terminal Blocks

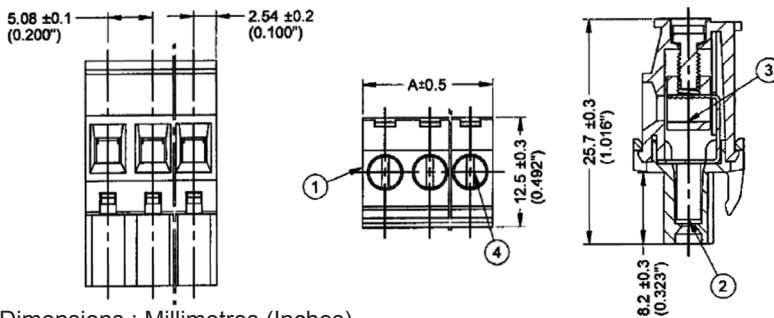


Specifications

Current Rating	: 16 Amperes, 300V AC
Insulation Withstand Voltage	: AC2000V min.
Insulation Resistance	: >2,000MΩ 500V DC
Operating Temperature	: -40°C to +105°C

**RoHS
Compliant**

Diagram



Dimensions : Millimetres (Inches)

Specification Table

No.	Material		Plating / Finish	Remark
1	Insulating Body	Polyamide 66	-	Green
2	Contact	Phosphor Bronze	Tin Plated	-
3	Cage Clamp	Brass	Ni plated	
4	Screw	Steel		

Part Number Table

Description	"A" mm	Number of Positions	Part Number
5.08mm Pluggable Terminal Block	10.16	2	MC210-50802
	15.24	3	MC210-50803
	20.32	4	MC210-50804
	25.4	5	MC210-50805
	30.48	6	MC210-50806
	35.56	7	MC210-50807
	40.64	8	MC210-50808
	50.8	10	MC210-50810
	55.88	11	MC210-50811
	60.96	12	MC210-50812

Important Notice : This data sheet and its contents (the "Information") belong to the members of the AVNET group of companies (the "Group") or are licensed to it. No licence is granted for the use of it other than for information purposes in connection with the products to which it relates. No licence of any intellectual property rights is granted. The Information is subject to change without notice and replaces all data sheets previously supplied. The Information supplied is believed to be accurate but the Group assumes no responsibility for its accuracy or completeness, any error in or omission from it or for any use made of it. Users of this data sheet should check for themselves the Information and the suitability of the products for their purpose and not make any assumptions based on information included or omitted. Liability for loss or damage resulting from any reliance on the Information or use of it (including liability resulting from negligence or where the Group was aware of the possibility of such loss or damage arising) is excluded. This will not operate to limit or restrict the Group's liability for death or personal injury resulting from its negligence. Multicomp Pro is the registered trademark of Premier Farnell Limited 2019.

Newark.com/multicomp-pro
Farnell.com/multicomp-pro
Element14.com/multicomp-pro

