



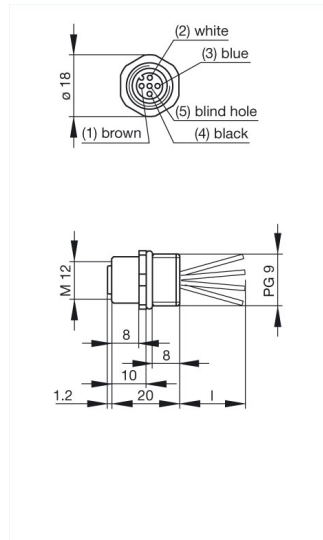
ELKE 412 PG9 Sn

Circular Connectors E-series M12/FIXCON:with screw locking:Appliance socket for front panel mounting with PG or metrical thread

Product description

Description	Screw-in appliance socket, PG 9 front mounting thread, with wire ends, cast, O-ring
Type	ELKE 412 PG9 Sn
Order No.	933 039-100
Type of contact	female
Number of contacts	4
Cable material	PVC
Cable length	0.2 m
Cable gland	PG 9
Conductor size	0.34 mm ²
Cable specification	7 x 0.25 mm
Standard	IEC 61076-2-101 (Ed. 1)/ IEC 60947-5-2
Housing Color	silver

Drawing



Technical data

Wire stranding	4 cores per 0.34 mm ²
Rated voltage	250 V AC/DC
Rated current	4 A

Material

Contact material	Cu Zn
Contact surface material	Sn
Contact bearer material	PA
Housing material	Cu Zn/Ni
O-Ring	NBR

Environmental conditions

Protection class (IEC 60529)	IP 67
Pollution severity	3
Temperature range	-25 °C to +90 °C
Inflammability class	
Contact bearer	94 V-2
Approvals	
UL	UL
Packaging unit	
Packaging unit	100 pieces
Scope of delivery and accessories	
Accessories to order separately	protective cap M12 VS, order no. 734 209-100; fastening nut ELST M PG9, order no. 733 877-001