

Precision stepped jaw

Accessories for art. no.: 28848 and 28862



Application:

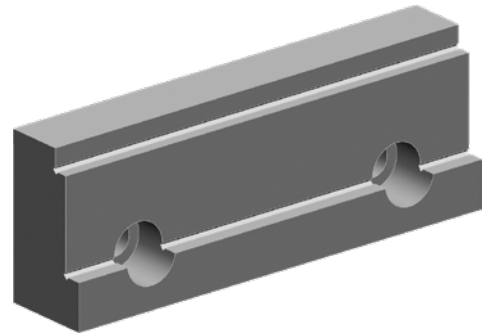
For screwing on to the fixed and moving jaw.

Execution:

- Hardened and ground.

Delivery:

1x precision stepped jaw



Art. no.	28848 211
Brand	ROEMHELD
Manufacturer Part Number	520820002
Type	Stepped jaw
Jaw design	With steps
Jaws width	125 mm
Jaws thickness	25 mm
Jaws height	45 mm
Section, width	5 mm
Section, height	39 mm
Gross Weight	0.880 kg
Product Group	283