

1EC8 ✓ ACTIVE

Corcom | Corcom EC

TE Internal #: 6609017-4

Corcom EC, Multi-Function Inlet Filters, Power Line, Right Angle,
Leakage Current (Max) (120VAC, 60Hz) 220 μ A

[View on TE.com >](#)



EMI Filters > Multi-Function Inlet Filters > CORCOM EC SERIES IEC FILTERED INLETS



Filter Type: **Power Line**

Mount Angle: **Right Angle**

Leakage Current (Max) (120VAC, 60Hz): **220 μ A**

Leakage Current (Max) (250VAC, 50Hz): **380 μ A**

Filter Current Rating: **1 A**

[All CORCOM EC SERIES IEC FILTERED INLETS \(13\)](#)

Features

Product Type Features

Ground Choke Option	No
Ground Option	None
Filter Type	Power Line
Filter Input Termination Type	IEC
Filter Output Termination Type	Wire Lead
Filtering Requirements	Filtered
Filter Connector Type	IEC 60320-1 C-14

Electrical Characteristics

Leakage Current (Max) (120VAC, 60Hz)	220 μ A
Leakage Current (Max) (250VAC, 50Hz)	380 μ A
Filter Current Rating	1 A
Voltage Rating (Max)	250 VAC

Mechanical Attachment

Mount Angle	Right Angle
Filter Mount Style	Flanged

Usage Conditions

Operating Temperature Range	-10 – 40 °C
-----------------------------	-------------

Product Compliance

[For compliance documentation, visit the product page on TE.com>](#)

EU RoHS Directive 2011/65/EU	Compliant
EU ELV Directive 2000/53/EC	Compliant
China RoHS 2 Directive MIIT Order No 32, 2016	No Restricted Materials Above Threshold
EU REACH Regulation (EC) No. 1907/2006	Current ECHA Candidate List: JAN 2021 (211) Candidate List Declared Against: JAN 2021 (211) Does not contain REACH SVHC
Halogen Content	Low Halogen - Br, Cl, F, I < 900 ppm per homogenous material. Also BFR/CFR/PVC Free
Solder Process Capability	Not applicable for solder process capability

Product Compliance Disclaimer

This information is provided based on reasonable inquiry of our suppliers and represents our current actual knowledge based on the information they provided. This information is subject to change. The part numbers that TE has identified as EU RoHS compliant have a maximum concentration of 0.1% by weight in homogenous materials for lead, hexavalent chromium, mercury, PBB, PBDE, DBP, BBP, DEHP, DIBP, and 0.01% for cadmium, or qualify for an exemption to these limits as defined in the Annexes of Directive 2011/65/EU (RoHS2). Finished electrical and electronic equipment products will be CE marked as required by Directive 2011/65/EU. Components may not be CE marked. Additionally, the part numbers that TE has identified as EU ELV compliant have a maximum concentration of 0.1% by weight in homogenous materials for lead, hexavalent chromium, and mercury, and 0.01% for cadmium, or qualify for an exemption to these limits as defined in the Annexes of Directive 2000/53/EC (ELV). Regarding the REACH Regulation, the information TE provides on SVHC in articles for this part number is based on the latest European Chemicals Agency (ECHA) 'Guidance on requirements for substances in articles' posted at this URL: <https://echa.europa.eu/guidance-documents/guidance-on-reach>

Compatible Parts



Also in the Series | [Corcom EC](#)



Multi-Function Inlet Filters(13)

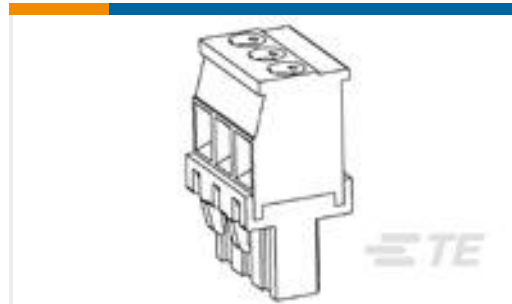
Customers Also Bought



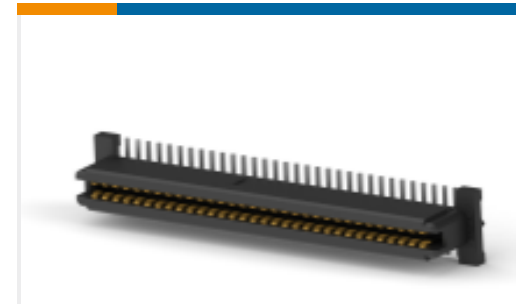
TE Part #1218049-4
ARINC600,RCPT ASSY,SZ 2,SPCL,
MONOBLK



TE Part #2227667-3
zQSFP+ STACKED RECEPTACLE
ASSEMBLY 2X2



TE Part #284051-2
TERMI-BLOK VERTICAL PLUG STACK



TE Part #120603-2
Free Height Receptacle Conn: Board-
Board, Vertical, 84, 1mm



TE Part #212618-2
TYPE II CONTACTS



TE Part #YDTS24W19-11PBC001
Jam Nut: D38999, 19-11 Insert



TE Part #1-1490413-7
NEST, 90 DEG SOLISTRAND, 2



TE Part #2-2150236-1
OCEAN_2.0_APPLICATOR-E-062F090F



TE Part #2-454276-4
FLOATING SHEAR



TE Part #2150565-1
OCEAN_2.0_Applicator-E-070F

Documents

Product Drawings

1EC8=F7562 S0

English

CAD Files

Customer View Model

ENG_CVM_6609017-4_B.3d_igs.zip

English

Customer View Model



[ENG_CVM_6609017-4_B.3d_stp.zip](#)

English

Customer View Model

[ENG_CVM_6609017-4_B.2d_dxf.zip](#)

English

3D PDF

English

By downloading the CAD file I accept and agree to the [Terms and Conditions](#) of use.

Datasheets & Catalog Pages

[1654001_Corcom_Product_Guide_EC_Series](#)

English

[1654001_CORCOM_PRODUCT_GUIDE](#)

English

[Corcom Combined Selector Charts](#)

English