



SOLISTRAND

TE Internal #: 36923

Ring Terminals & Spade Terminals, Ring Tongue, 00 AWG Wire Size, 67 – 70 mm² Wire Size, 119500 – 150500 CMA Wire Size, Stud Size 3/8

[View on TE.com >](#)

Terminals & Splices > Ring Terminals & Spade Terminals



Ring & Spade Terminal Type: **Ring Tongue**

Wire Size: 119500 – 150500 CMA

Stud Size: 3/8

Features

Product Type Features

| | |
|--|------------------------|
| Shape Description | RING-049 |
| Stud Size | 3/8 |
| Sealable | No |
| Wire Insulation Support Retention Type | Non-Insulation Support |

Configuration Features

| | |
|-----------------|-------|
| Number of Holes | 1 |
| Terminal Angle | 180 ° |

Body Features

| | |
|------------------|---------|
| Inspection Slot | No |
| Weight per Piece | 30.43 g |

Contact Features

| | |
|----------------------------|-------------|
| Ring & Spade Terminal Type | Ring Tongue |
| Barrel Type | Closed |
| Terminal Orientation | Offset |
| Terminal Plating Material | Tin |



Mechanical Attachment

| | |
|-------------------------|---------|
| Wire Insulation Support | Without |
|-------------------------|---------|

Dimensions

| | |
|------------------------|---------------------|
| Wire Size | 119500 – 150500 CMA |
| Stud Diameter | 9.91 mm[.39 in] |
| Tongue Thickness | 2.03 mm[.08 in] |
| Overall Product Length | 51.56 mm[2.03 in] |
| Barrel Inside Diameter | 12.8 mm[.504 in] |

Usage Conditions

| | |
|-----------------------------|----------------|
| Insulation Option | Uninsulated |
| Operating Temperature Range | 170 °C[338 °F] |

Operation/Application

| | |
|---------------------------------------|--------|
| Compatible With Wire Base Material | Copper |
| Compatible With Wire Plating Material | Tin |
| Heavy Duty | No |

Industry Standards

| | |
|----------------------|----|
| Government Qualified | No |
|----------------------|----|

Packaging Features

| | |
|--------------------|-------------|
| Packaging Quantity | 50 |
| Packaging Method | Loose Piece |

Product Compliance

[For compliance documentation, visit the product page on TE.com>](#)

| | |
|---|---|
| EU RoHS Directive 2011/65/EU | Compliant |
| EU ELV Directive 2000/53/EC | Compliant |
| China RoHS 2 Directive MIIT Order No 32, 2016 | No Restricted Materials Above Threshold |
| EU REACH Regulation (EC) No. 1907/2006 | Current ECHA Candidate List: JUNE 2022 (224) Candidate List Declared Against: JUNE 2022 (224) Does not contain REACH SVHC |
| Halogen Content | Low Halogen - Br, Cl, F, I < 900 ppm per homogenous material. Also BFR/CFR/PVC Free |

Solder Process Capability

Not applicable for solder process capability

Product Compliance Disclaimer

This information is provided based on reasonable inquiry of our suppliers and represents our current actual knowledge based on the information they provided. This information is subject to change. The part numbers that TE has identified as EU RoHS compliant have a maximum concentration of 0.1% by weight in homogenous materials for lead, hexavalent chromium, mercury, PBB, PBDE, DBP, BBP, DEHP, DIBP, and 0.01% for cadmium, or qualify for an exemption to these limits as defined in the Annexes of Directive 2011/65/EU (RoHS2). Finished electrical and electronic equipment products will be CE marked as required by Directive 2011/65/EU. Components may not be CE marked. Additionally, the part numbers that TE has identified as EU ELV compliant have a maximum concentration of 0.1% by weight in homogenous materials for lead, hexavalent chromium, and mercury, and 0.01% for cadmium, or qualify for an exemption to these limits as defined in the Annexes of Directive 2000/53/EC (ELV). Regarding the REACH Regulation, the information TE provides on SVHC in articles for this part number is based on the latest European Chemicals Agency (ECHA) 'Guidance on requirements for substances in articles' posted at this URL: <https://echa.europa.eu/guidance-documents/guidance-on-reach>

Compatible Parts



TE Part # 1490413-6
HYP10 SOLIS 2/0AWG NEST



TE Part # 1490414-3
HYP10 SOLIS HD 1/0AWG INDENTER



TE Part # 48131
HYP8 SOLIS 1/0-4/0AWG INDENTER



TE Part # 45439
HYP8/10 SOLIS 2/0AWG DIE SET



TE Part # 600850
ROTO-CRIMP TOOL (ASI)




TE Part # 48133
HYP8 SOLIS 2/0AWG NEST

Customers Also Bought



TE Part #1-322249-1
PG SPDFLG 22-16COMM 22-18MIL 6



TE Part #60774-2
SPADE TERMINAL 18-14 AWG TPBR



TE Part #1-770849-8
18P SL156 HSG W/LCK RMP & TABS



TE Part #321600
TERMINAL,SOLIS R 2 3/8



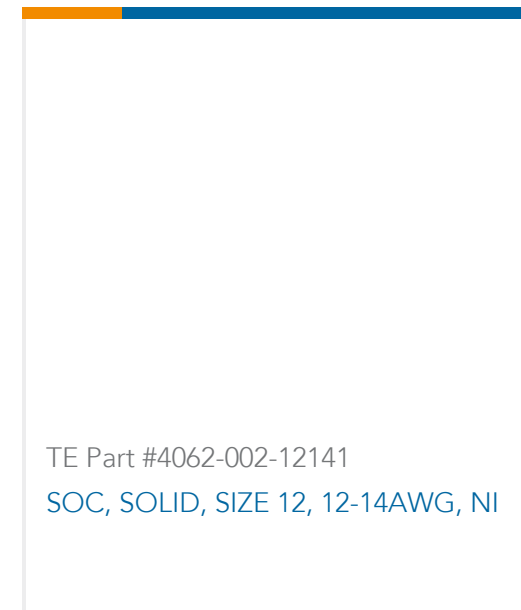
TE Part #1217330-1
RING TONGUE 16-14 AWG TPBR



TE Part #NB11242001
ATUM-40/13-0-STK



TE Part #E11880-000
B-155-17



TE Part #4062-002-12141
SOC, SOLID, SIZE 12, 12-14AWG, NI



TE Part #690472-9
STRIPPER



TE Part #DTCE06-1-12S-E003
DTCE PLUG ASM

Documents

Product Drawings

[TERMINAL,SOLIS R 2/0 3/8](#)

English

CAD Files

Customer View Model

[ENG_CVM_CVM_36923_AD.2d_dxf.zip](#)

English

[3D PDF](#)

3D

Customer View Model

[ENG_CVM_CVM_36923_AD.3d_igs.zip](#)

English

Customer View Model

[ENG_CVM_CVM_36923_AD.3d_stp.zip](#)

English

By downloading the CAD file I accept and agree to the [Terms and Conditions](#) of use.

Product Environmental Compliance

[TE Material Declaration](#)

English

Agency Approvals

[UL Report](#)

English

[UL Report](#)

English

