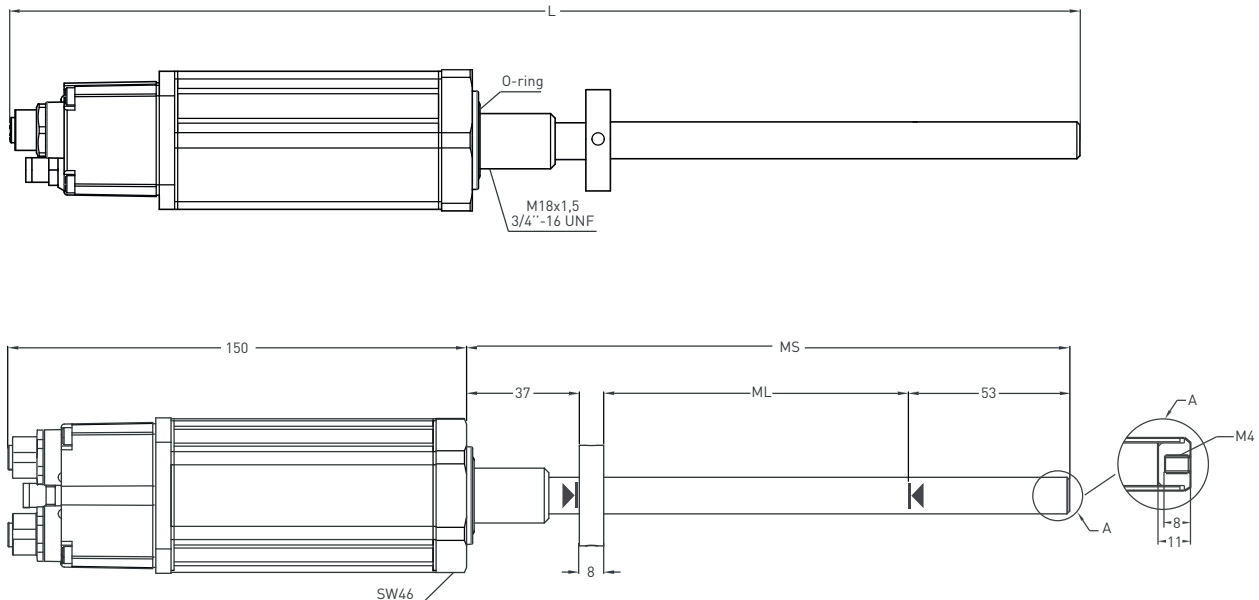




- Measuring range 100 - 5000 mm
- Modbus protocol
- 24 VDC power supply

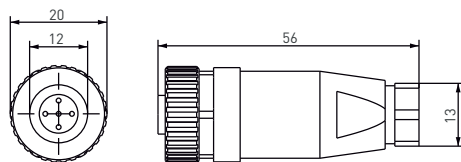
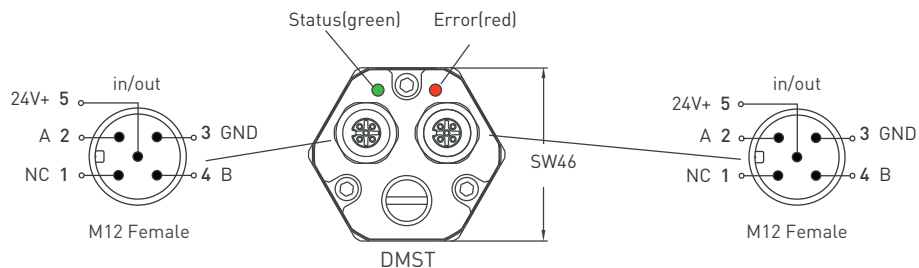
Technical Specifications	
Measurement stroke	100 - 5000 mm
Resolution	25µm (100mm-400mm), 50µm (450mm-3000mm), 100µm (4000mm-5000mm)
Repeatability	100 µm
Output	Modbus
Power supply	24 VDC ±10%
Displacement speed	max. < 5 m/s
Max. consumption	<100 mA (depending on stroke length)
Linearity	Up to ±0,05% full scale (min.100 µm)
Reverse polarity protection	Up to -30 VDC
Overvoltage protection	Up to +30 VDC
Update time	10 ms (at 115200 bit/s)
Interface	RS422 / RS485
	Modbus
Baud rate	Max. 115200 bit/s
Diagnostic LEDs	Green led : Power on, BUS communication active Red led : Error, Stop mode
Protection level	IP 65
Operating temperature	-10°C ... +70°C
Storage temperature	-30°C ... +90°C

Mechanical Specifications



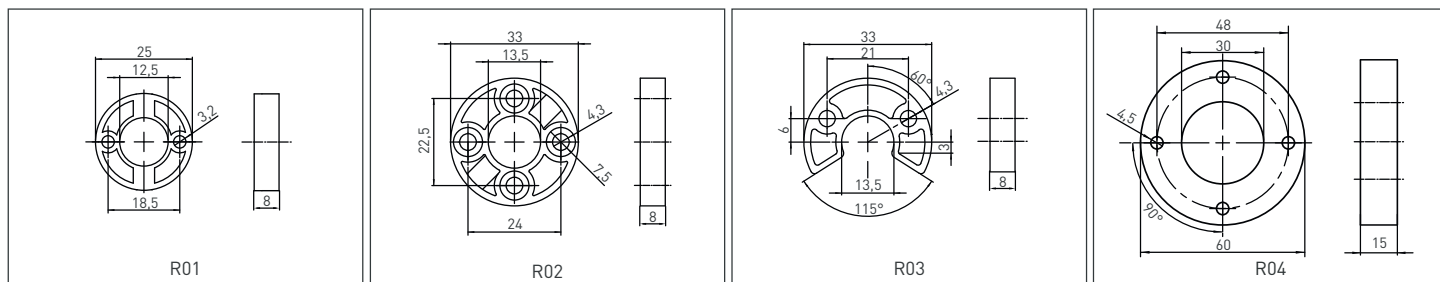
DMST (mm)	100	150	200	250	300	350	400	450	500	550	600	650	700	750	800	850	900	1000	1100	1200	1300	1400	1500	1750	2000	2250	2500	3000	4000	5000
ML (Usefull Stroke)	100	150	200	250	300	350	400	450	500	550	600	650	700	750	800	850	900	1000	1100	1200	1300	1400	1500	1750	2000	2250	2500	3000	4000	5000
IL (Installation Length)	198	248	298	348	398	448	498	548	598	648	698	748	798	848	898	948	998	1098	1198	1298	1398	1498	1598	1848	2211	2461	2711	3211	4211	5211
Total Length	348	398	448	498	548	598	648	698	748	798	848	898	948	998	1048	1098	1148	1248	1348	1448	1548	1648	1748	1998	2341	2591	2841	3341	4341	5341
Dead Zone Calculation	37/53																													

Connection



M12 Male Connector

Cursor



Ordering Procedure

Model	Measurement stroke	Rod & Thread	Sealing Surface	Protocol	Baud rate	Termination	Cursor	Dead zone
DMST	150	E12	S	MDB	04	150	1R02	37/53
DMST	100 - 5000 mm	E10 : Ø10 , M18x1,5 E12 : Ø12 , M18x1,5 U10 : Ø10 , 3/4" -16 UNF U12 : Ø12 , 3/4" -16 UNF E010 : Ø10 , M24x1,5 E012 : Ø12 , M24x1,5 EA10 : Ø10 , M24x1,5 EA12 : Ø12 , M24x1,5 EB10 : Ø10 , M30x2 EB12 : Ø12 , M30x2	S: O-ring F: Flat	MDB:Modbus	01:9600 bits/s 02:19200 bits/s 03:38400 bits/s 04:57600 bits/s 05:115200 bits/s	1S0: off 1S1: on	1F01 1R01 1F02 1R02 1F03 1R03 1R04 1R01: 1 cursor 2R01: 2 cursors	≤ 2000 mm 30/53 37/53 47/53 57/53 67/53 77/53 30/60 51/63 > 2000-3000 mm 130/53 > 3000-5000 mm 150/53