

Solid-state relay module - PLC-OSC- 24DC/ 48DC/500/ W - 2980636

Please be informed that the data shown in this PDF Document is generated from our Online Catalog. Please find the complete data in the user's documentation. Our General Terms of Use for Downloads are valid (<http://download.phoenixcontact.com>)



PLC electronic PDT, integrated optocoupler, with screw connection, for mounting on DIN rail NS 35/7.5, input: 24 V DC, output: 3 - 48 V DC/500 mA

Product Features

- Wear-free switching with no contact bounce
- Resistant to vibrations and shocks
- Protective circuit in input and output
- Status indicator
- Electronic PDT output of up to 48 V DC/500 mA
- Option of bridging adjacent modules
- DC voltage outputs of up to 300 V DC/1 A or up to 24 V DC/10 A



Key commercial data

package_quantity	10
GTIN	4046356051378

Technical data

Note:

Utilization restriction	EMC: class A product, see manufacturer's declaration in the download area
--------------------------------	---

Dimensions

Width	6.2 mm
Height	80 mm
Depth	86 mm

Ambient conditions

Ambient temperature (operation)	-25 °C ... 60 °C
Ambient temperature (storage/transport)	-40 °C ... 85 °C

Input data

Nominal input voltage U_N	24 V DC
Input voltage range in reference to U_N	0.8 ... 1.2

Solid-state relay module - PLC-OSC- 24DC/ 48DC/500/ W - 2980636

Technical data

Input data

Switching threshold "0" signal in reference to U _N	≤ 0.4
Switching threshold "1" signal in reference to U _N	≥ 0.8
Typical input current at U _N	3 mA
Typical response time	0.03 ms
Typical turn-off time	0.15 ms
Operating voltage display	Yellow LED
Type of protection	Protection against polarity reversal
Type of protection	Surge protection
Protective circuit/component	Polarity protection diode
Transmission frequency	1000 Hz

Output data

Output voltage range	3 V DC ... 48 V DC
Limiting continuous current	500 mA (see derating curve)
Min. load current	1 mA
Voltage drop at max. limiting continuous current	< 1.2 V
Output circuit	2-wire, floating
Type of protection	Protection against polarity reversal
Type of protection	Surge protection
Protective circuit/component	Polarity protection diode

Connection data

Connection method	Screw connection
Stripping length	8 mm
Screw thread	M3
Conductor cross section solid min.	0.14 mm ²
Conductor cross section solid max.	2.5 mm ²
Conductor cross section stranded min.	0.14 mm ²
Conductor cross section stranded max.	2.5 mm ²
Conductor cross section AWG/kcmil min.	26
Conductor cross section AWG/kcmil max	14

General

Mounting position	Any
Assembly instructions	In rows with zero spacing
Operating mode	100% operating factor
Inflammability class according to UL 94	V0
Name	Standards/regulations
Standards/regulations	IEC 60664
Standards/regulations	EN 50178
Standards/regulations	IEC 62103

Solid-state relay module - PLC-OSC- 24DC/ 48DC/500/ W - 2980636

Technical data

General

Rated surge voltage / insulation	4 kV / basic insulation
Rated insulation voltage	300 V
Pollution degree	2
Surge voltage category	III

classifications

eCl@ss

eCl@ss 4.0	27371102
eCl@ss 4.1	27371102
eCl@ss 5.0	27371001
eCl@ss 5.1	27371001
eCl@ss 6.0	27371001
eCl@ss 7.0	27371001
eCl@ss 8.0	27371001

ETIM

ETIM 2.0	EC001504
ETIM 3.0	EC001504
ETIM 4.0	EC001504
ETIM 5.0	EC001504


UNSPSC

UNSPSC 6.01	30211916
UNSPSC 7.0901	39121542
UNSPSC 11	39121542
UNSPSC 12.01	39121542
UNSPSC 13.2	39121542

approvals

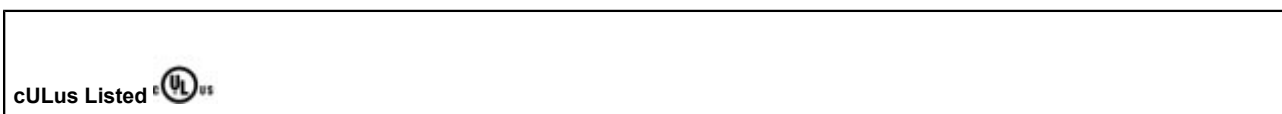
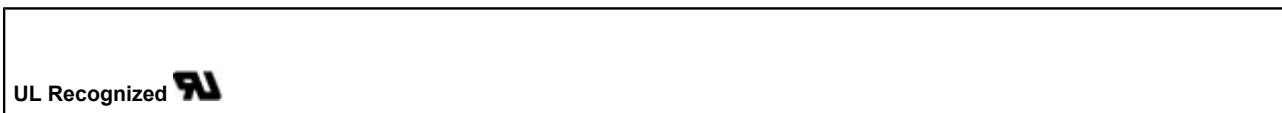
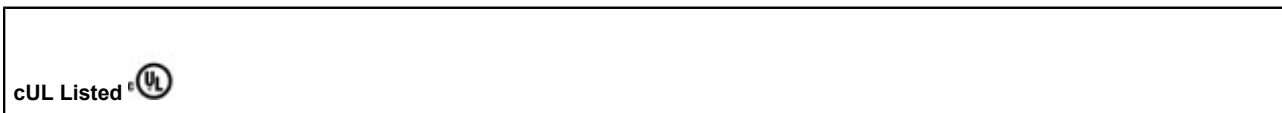
UL Listed / cUL Listed / UL Recognized / cUL Recognized / cULus Recognized / cULus Listed /

Approval details



Solid-state relay module - PLC-OSC- 24DC/ 48DC/500/ W - 2980636

approvals



accessories

Mounting rail

NS 35/ 7,5 V2A UNPERF 2000MM - 0801377



NS 35/ 7,5 PERF 2000MM - 0801733



Solid-state relay module - PLC-OSC- 24DC/ 48DC/500/ W - 2980636

accessories

NS 35/ 7,5 CU UNPERF 2000MM - 0801762



NS 35/15 UNPERF 2000MM - 1201714



NS 35/15 CU UNPERF 2000MM - 1201895



NS 35/15-2,3 UNPERF 2000MM - 1201798



NS 35/15 AL UNPERF 2000MM - 1201756



Solid-state relay module - PLC-OSC- 24DC/ 48DC/500/ W - 2980636

accessories

NS 35/15 PERF 2000MM - 1201730



NS 35/ 7,5 UNPERF 2000MM - 0801681



Power module

PLC-ESK GY - 2966508



Partition plate

PLC-ATP BK - 2966841



Screwdriver tools

SZF 1-0,6X3,5 - 1204517



Solid-state relay module - PLC-OSC- 24DC/ 48DC/500/ W - 2980636

accessories

Controller board

PLC-V8/FLK14/OUT - 2295554



PLC-V8/FLK14/OUT/M - 2304102



PLC-V8/D15B/OUT - 2296061



Interface module

PLC-V8/D15S/OUT - 2296058



Bridge

Solid-state relay module - PLC-OSC- 24DC/ 48DC/500/ W - 2980636

accessories

FBST 500-PLC RD - 2966786



FBST 500-PLC BU - 2966692



FBST 500-PLC GY - 2966838



FBST 6-PLC RD - 2966236



FBST 6-PLC BU - 2966812



Solid-state relay module - PLC-OSC- 24DC/ 48DC/500/ W - 2980636

accessories

FBST 6-PLC GY - 2966825

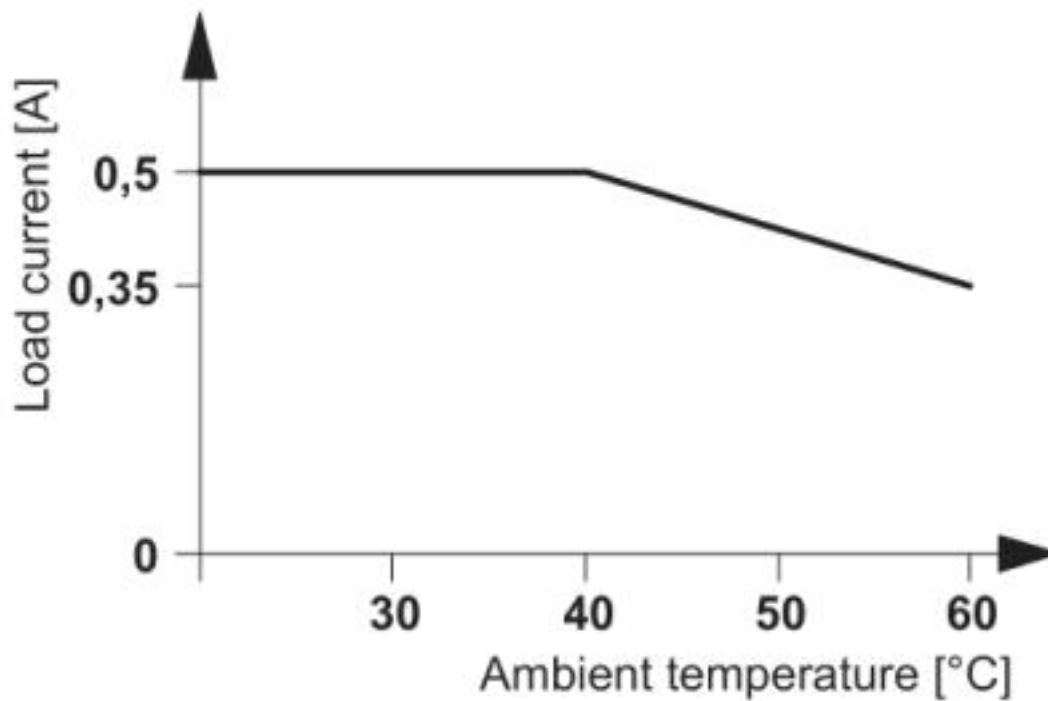


FBST 8-PLC GY - 2967688



Drawings

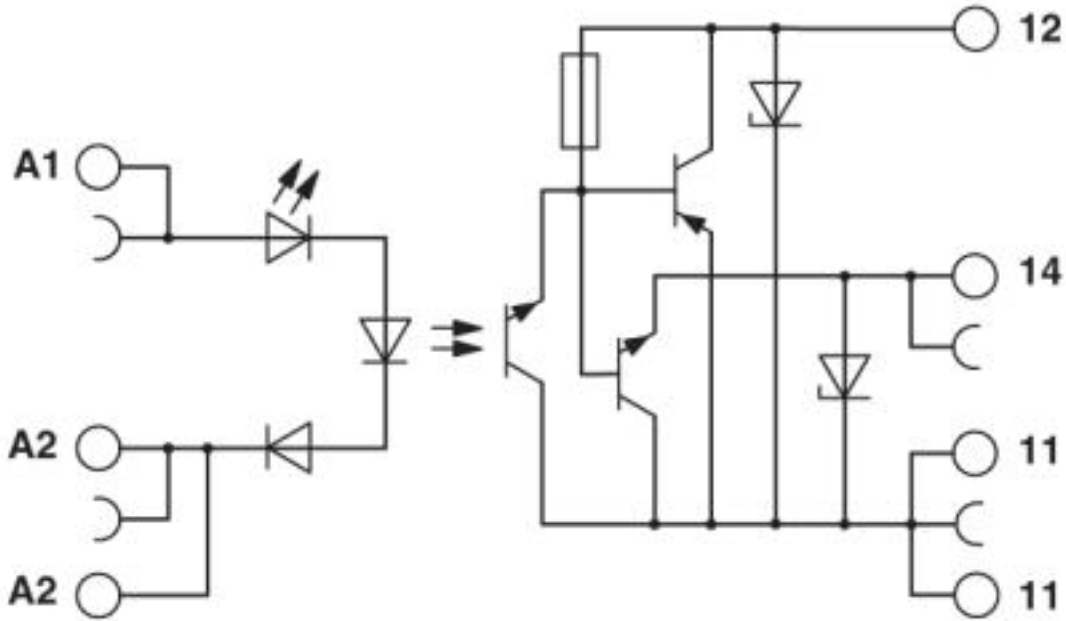
Diagram



The illustration shows the derating curve for PLC-...24DC/48DC/500/W

Solid-state relay module - PLC-OSC- 24DC/ 48DC/500/ W - 2980636

Circuit diagram



© Phoenix Contact 2013 - all rights reserved
<http://www.phoenixcontact.com>