

NOTES:

1. MATERIAL:
OPTION 1: NYLON, BLACK;
OPTION 2: NYLON, NATURAL.
2. PARTS TO BE PACKAGED PER PK-172323-0004
3. PRODUCT SPECIFICATION PS-172323-0001
4. PART MATES WITH MOLEX R/A HEADER ASSEMBLY 172310 AND VERTICAL HEADER ASSEMBLY 172286, 172287 SERIES.
5. TO USE WITH TERMINAL 172253-6***, 172253-7***
6. TO USE WITH TPA 172264-3***, 172264-4***
7. PARTS CONFORM TO CLASS "B" REQUIREMENTS OF COSMETIC SPECIFICATION PS-45499-002
8. APPLICATION SPECIFICATION: AS-172323-0001.

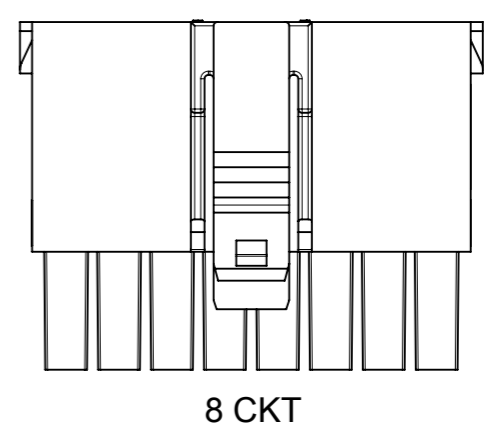
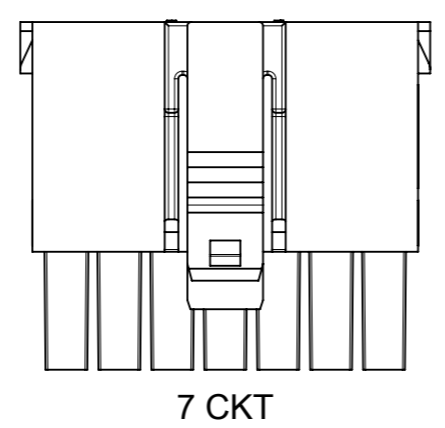
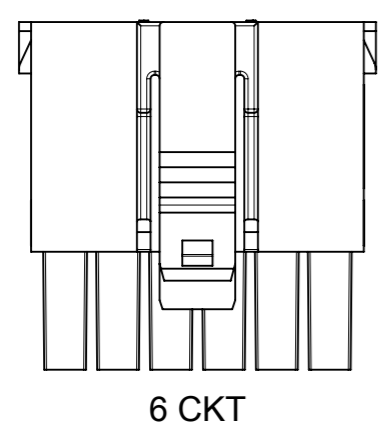
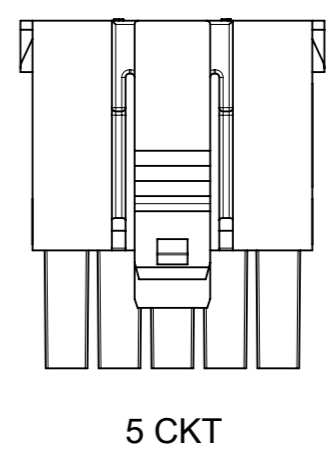
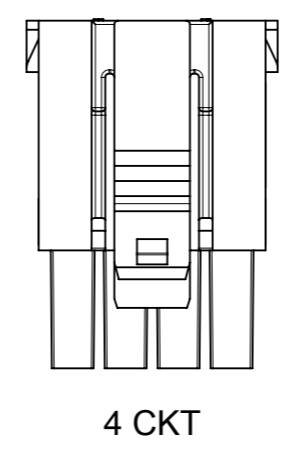
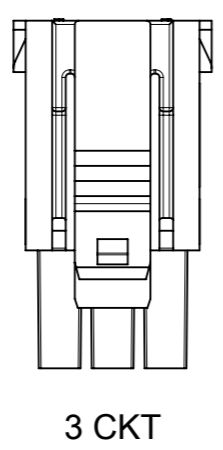
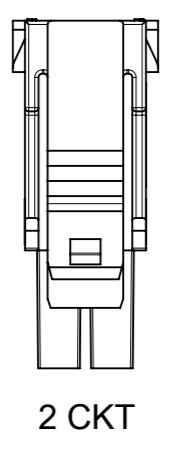
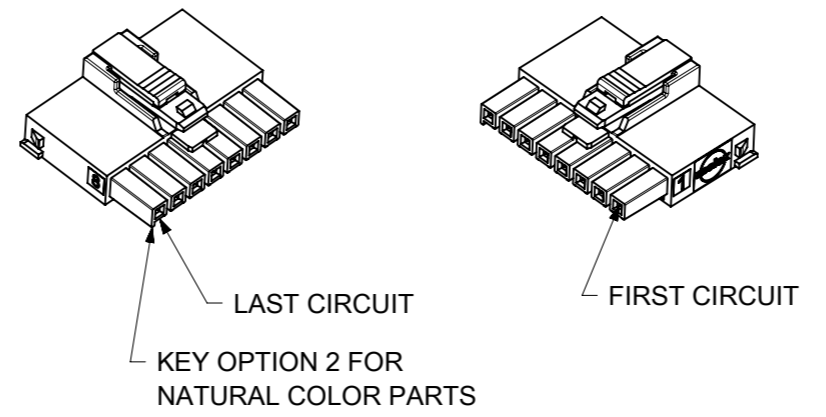
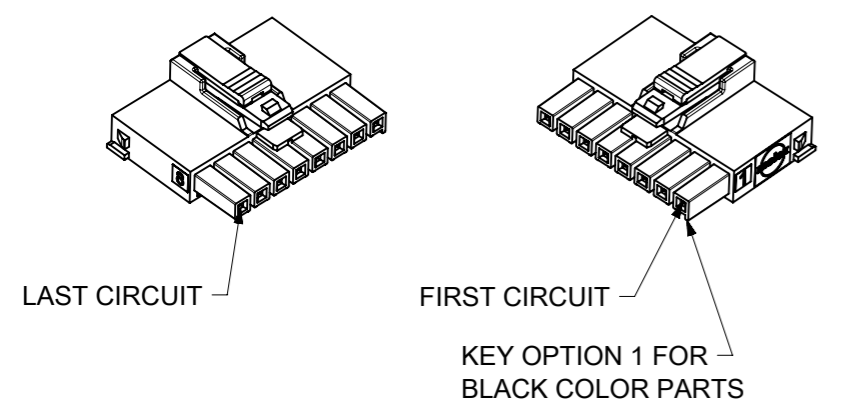
THIS DRAWING CONTAINS INFORMATION THAT IS PROPRIETARY TO MOLEX ELECTRONIC TECHNOLOGIES, LLC AND SHOULD NOT BE USED WITHOUT WRITTEN PERMISSION											
SYMBOLS	DIMENSION UNITS		SCALE		CURRENT REV DESC:					molex	
	mm		2:1								
GENERAL TOLERANCES (UNLESS SPECIFIED)					EC NO: 612754 DRWN: SCHEN76 2019/02/28 CHK'D: AYIN 2019/02/28 APPR: AYIN 2019/02/28					ULTRA-FIT TANGLES HSG SINGLE ROW 2-8CKT	
▽ = 0	ANGULAR TOL ± °										
▽ = 0	4 PLACES ±				INITIAL REVISION: DRWN: SCHEN76 2018/12/20 APPR: AYIN 2019/02/27					PRODUCT CUSTOMER DRAWING	
▽ = 10	3 PLACES ±										
▽ = 0	2 PLACES ± 0.25				DOCUMENT NUMBER					DOC TYPE	
▽ = 0	1 PLACE ± 0.5										
▽ = 0	0 PLACES ±				1722560003					PSD 000 A1	
□ = 0	DRAFT WHERE APPLICABLE MUST REMAIN WITHIN DIMENSIONS										
○ = 0	THIRD ANGLE PROJECTION		DRAWING		SERIES		MATERIAL NUMBER		CUSTOMER		SHEET NUMBER
○ = 0	A3-SIZE		172256		GENERAL MARKET		1 OF 2				

9 8 7 6 5 4 3 2 1

PART NUMBER	COLOR	CIRCUIT SIZE	KEY OPTION	DIM B
172256-3102	BLACK	2	1	8.00
172256-3103	BLACK	3	1	11.50
172256-3104	BLACK	4	1	15.00
172256-3105	BLACK	5	1	18.50
172256-3106	BLACK	6	1	22.00
172256-3107	BLACK	7	1	25.50
172256-3108	BLACK	8	1	29.00
172256-4102	NATURAL	2	2	8.00
172256-4103	NATURAL	3	2	11.50
172256-4104	NATURAL	4	2	15.00
172256-4105	NATURAL	5	2	18.50
172256-4106	NATURAL	6	2	22.00
172256-4107	NATURAL	7	2	25.50
172256-4108	NATURAL	8	2	29.00

KEY OPTION 1

KEY OPTION 2



SYMBOLS DIMENSION UNITS: mm SCALE: 1:1 GENERAL TOLERANCES (UNLESS SPECIFIED): ANGULAR TOL: ± ° 4 PLACES: ± 3 PLACES: ± 2 PLACES: ± 0.25 1 PLACE: ± 0.5 0 PLACES: ± DRAFT WHERE APPLICABLE MUST REMAIN WITHIN DIMENSIONS THIRD ANGLE PROJECTION:	THIS DRAWING CONTAINS INFORMATION THAT IS PROPRIETARY TO MOLEX ELECTRONIC TECHNOLOGIES, LLC AND SHOULD NOT BE USED WITHOUT WRITTEN PERMISSION		CURRENT REV DESC: EC NO: 612754 DRWN: SCHEN76 2019/02/28 CHK'D: AYIN 2019/02/28 APPR: AYIN 2019/02/28			
	INITIAL REVISION: DRWN: SCHEN76 2018/12/20 APPR: AYIN 2019/02/27		ULTRA-FIT TANGLES HSG SINGLE ROW 2-8CKT			
	PRODUCT CUSTOMER DRAWING		DOCUMENT NUMBER: 1722560003	DOC TYPE: PSD	DOC PART: 000	REVISION: A1
	MATERIAL NUMBER: 172256		CUSTOMER: GENERAL MARKET		SHEET NUMBER: 2 OF 2	

9 8 7 6 5 4 3 2 1