

GP Batteries

PRODUCT SPECIFICATION

Handsfree Motion Sensor Headlamp Model: CH34

Revision History

| Revision | Date | Initiator | Reason for Change |
|----------|--------------------------|-----------|-------------------|
| 1.0 | 4 th Jan 2019 | | First Release |
| | | | |
| | | | |
| | | | |
| | | | |

| Prepared By | Approved By |
|--------------------------------|--------------------------------|
| Wallace Tso | Wallace Tso |
| Date: 4 th Jan 2019 | Date: 4 th Jan 2019 |

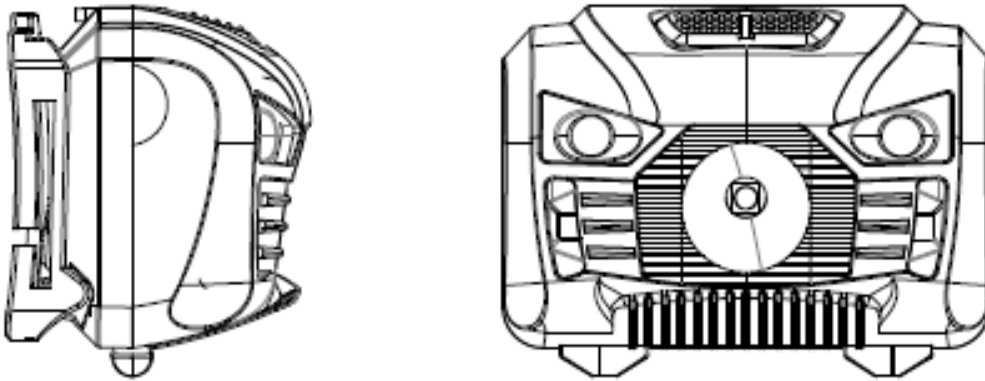
GPI International Limited

7/F, Building 16W, 16 Science Park West Avenue
Hong Kong Science Park, New Territories, Hong Kong,
Tel: (852) 2484 3333 Fax: (852) 24805912
Email: gpii@goldpeak.com
Website: <http://www.gpbatteries.com>

GP Batteries

Product Specifications

Model no.: CH34



| | |
|----------------------|------------------------------------------------------------------------|
| Product Name | : Handsfree Motion Sensor Headlamp |
| Lumen output* | : Cool white LED: 160lm / 48lm (+/- 15%) Red LED: 0.7lm (+/- 15%) |
| Beam Distance* | : Max 90m (+/- 15%) |
| Runtime | : Cool white LED: 160lm: 3 hours / 48lm: 20 hours Red LED: 44 hours |
| Battery type | : 3 x AAA |
| LED chip | : CREE LED |
| IP rate* | : IPX4 |
| Shock proof* | : Impact resistant, 1m |
| Dimensions | : 60 x 45 x 35 mm |
| Weight | : 56.9 g (without batteries), 93 g (with batteries) |
| Accessories Included | : 3 x AAA Batteries |
| Certification | : CE, ROHS |