

# DC Axial Fan

## Features

- Electronically commutated DC motor
- With polarity reversal and blocking protection
- High output, quiet running
- Connecting wires 300 mm AWG 24
- Speed control
- Signal output



## Specification

Rated Voltage	24 VDC
Operating Voltage	14 ... 26.4 V
Rated Speed	3200 rpm
Rated Current	150 mA
Rated Power	3.6 W
Max. Airflow	58.29 CFM, 99 m <sup>3</sup> /h
Max. Air Pressure	0.18 inch-H <sub>2</sub> O, 4.67 mm H <sub>2</sub> O
Noise	38 dBA, 42 dBA max.
Wire	2 Leads - 300 mm
Insulation Resistance	10 MOhm min. @ 500 VDC
Dielectric Strength	5 mA max @ 500 VAC 60 Hz 1 min.
Service Life	70000 hours @ 40 °C

## Mechanical

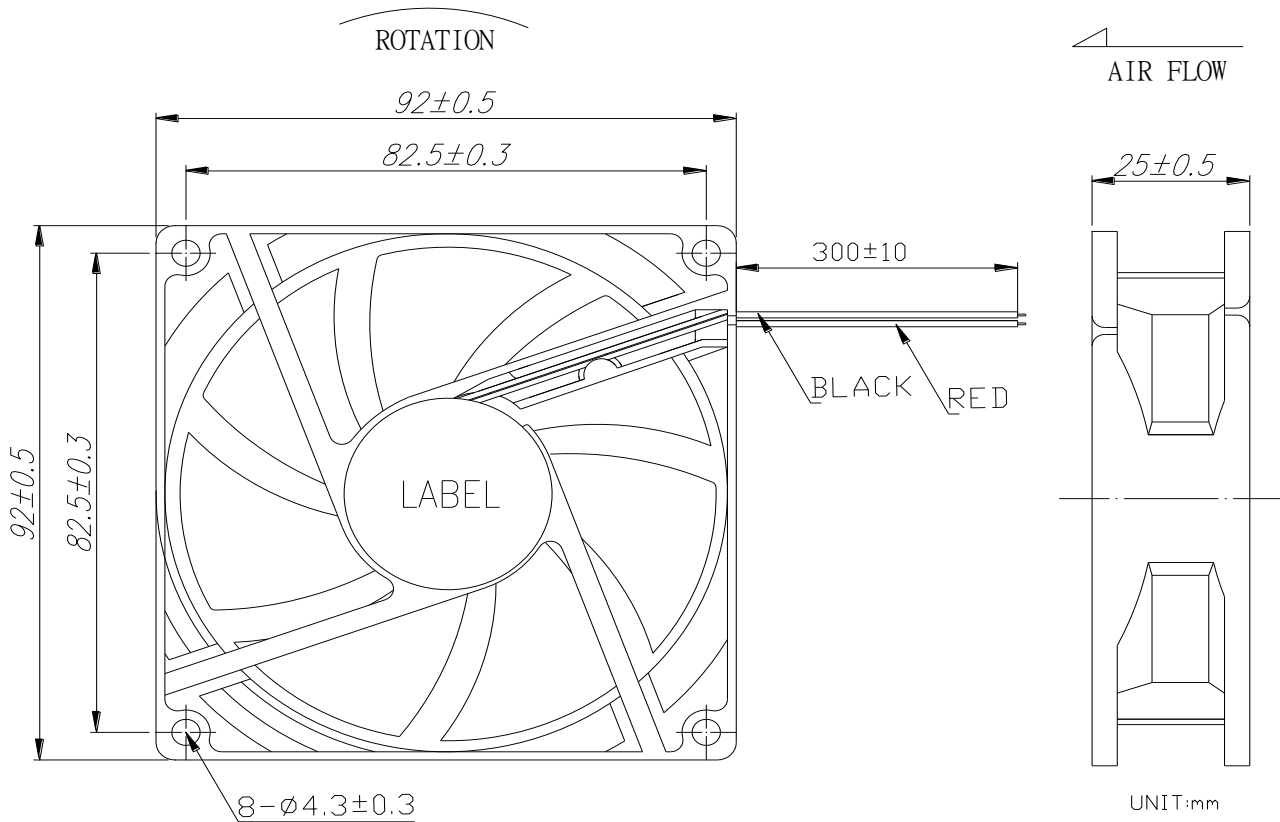
Fan Size (See Dimension Drawing in Page 2)	92 x 92 x 25 mm
Frame	Thermoplastic Black / PBT 15% gf of UL94-V0
Fan Blade	Thermoplastic Black / PBT 15% gf of UL94-V0
Bearing	Ball Bearing
Weight	87 g

## Environment

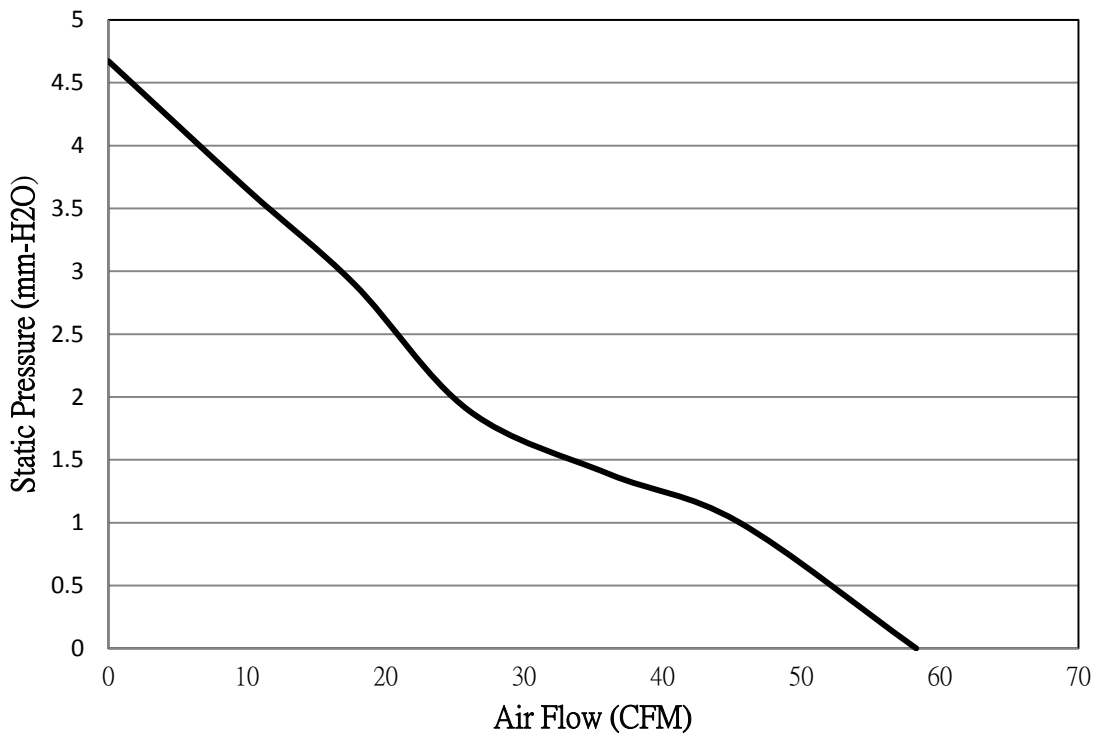
Ambient Operating Temperature	-10 ... 70 °C
Storage Temperature	-40 ... 75 °C
Operation Humidity	5 ... 90 % RH
Storage Humidity	5 ... 95 % RH

# DC Axial Fan

## Drawing



## P-Q Curve



## Art Nr.

RND 460-00066