

MATERIAL

Natural steel, turned finish.

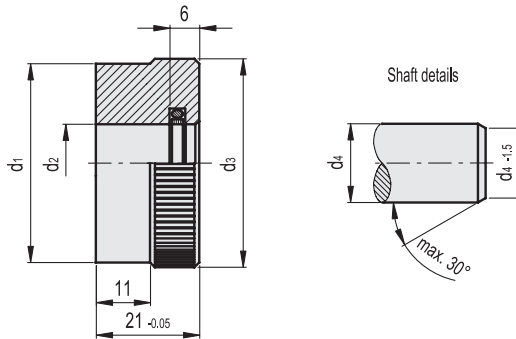
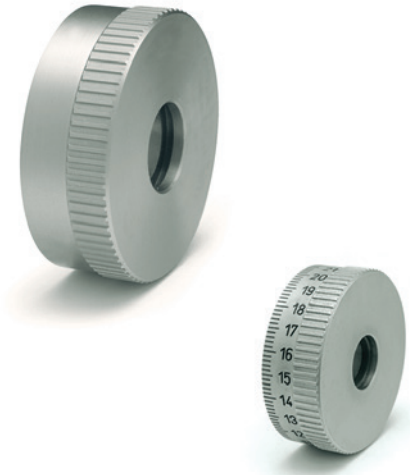
STANDARD EXECUTIONS

H7 reamed hole.

- **GN 164-B**: without friction ring.
- **GN 164-R**: with NBR synthetic rubber friction ring.

SPECIAL EXECUTIONS ON REQUEST

- Laser-engraved precision graduations (see Graduations on page 611).
- Matte chrome-plated scale rings.



Code	Description	d1 ±0.02	d2 H7	d3	d4 -0.02-0.05	⚖
GN.18701	GN 164-30-B12	30	12	31.7	12	98
GN.18705	GN 164-30-B14	30	14	31.7	14	90
GN.18711	GN 164-40-B14	40	14	41.3	14	180
GN.18715	GN 164-40-B16	40	16	41.3	16	172
GN.18721	GN 164-50-B16	50	16	51.8	16	292
GN.18725	GN 164-50-B18	50	18	51.8	18	282
GN.18731	GN 164-60-B18	60	18	61.4	18	414
GN.18735	GN 164-60-B20	60	20	61.4	20	404
GN.18702	GN 164-30-R12	30	12	31.7	12	100
GN.18706	GN 164-30-R14	30	14	31.7	14	92
GN.18712	GN 164-40-R14	40	14	41.3	14	182
GN.18716	GN 164-40-R16	40	16	41.3	16	174
GN.18722	GN 164-50-R16	50	16	51.8	16	293
GN.18726	GN 164-50-R18	50	18	51.8	18	283
GN.18732	GN 164-60-R18	60	18	61.4	18	424
GN.18736	GN 164-60-R20	60	20	61.4	20	413

Control elements