

GH195, FC310, GH663, 2781, SH222-16

Fittings
High Pressure

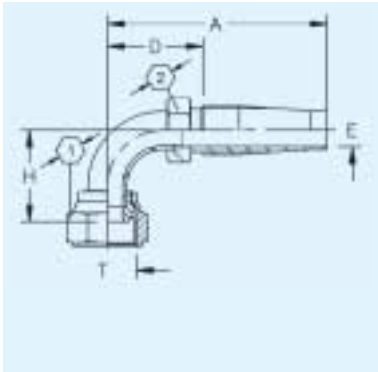
Hochdruck-
armaturen

Embouts
haute pression

Raccordi
alta pressione

Racores
altas pressione

56



BSP Female
Swivel, 90° Elbow

BSP-Dichtkopf,
90° Krümmer

Globeseal BSP
coudé 90°

Femmina girevole
a 90°, gas

Hembra loca BSP
acodado a 90°

Part Number	Thread T	Flange Tube O.D. mm	Hose ND	Hose Size	A mm	D mm	H mm	E Ø mm	K Ø mm	R Ø mm	HEX [1]	HEX [2]	Nut
11.139-4-4	G 1/4"		6	-4	62	32	24	4			17	14	
11.139-6-6	G 3/8"		10	-6	75	39	28	8			22	17	
11.139-8-8	G 1/2"		12	-8	81	44	32	10			27	19	
11.139-12-12	G 3/4"		20	-12	115	68	56	16			32	27	
11.139-16-16	G 1"		25	-16	141	90	69	21			41	32	

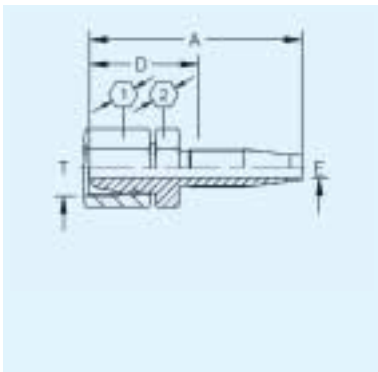
Millimetrique
Globeseal Female
Swivel

Dichtkopf 24°,
Serie
Millimetrique

Globeseal série
millimetrique

Femmina metrica
girevole 24°
(serie metrica
francese)

Hembra loca de
24° con junta
esférica, serie
millimétrica



Part Number	Thread T	Flange Tube O.D. mm	Hose ND	Hose Size	A mm	D mm	H mm	E Ø mm	K Ø mm	R Ø mm	HEX [1]	HEX [2]	Nut
11.327-8-6	M16x1,5	10	10	-6	71	41		8			19	19	
11.327-10-6	M18x1,5	12	10	-6	71	41		8			22	22	
11.327-13-8	M22x1,5	15	12	-8	74	36		10			27	27	