

Miniature Loudspeaker Rectangular 40 x 20mm 4Ω 2W



DESCRIPTION

Miniature low profile rectangular 4Ω loudspeaker with high power handling capacity.

DISTINCTIVE FEATURES

- 3W Max. power handling capability
- Low profile
- Rectangular frame
- Black cloth cone material

APPLICATIONS

Suitable for audio applications where a low profile is advantageous, and where high power handling capacity is desired, e.g. entrance door intercomms, discrete speakers for fixed installation in rooms, cabinets, etc.

40 x
20mm

Low
Profile

4Ω

2W



ELECTRICAL SPECIFICATION

Rated Impedance	4Ω ±15% @ 1kHz 1V
Nominal Power	2W
Max. Power	3W



GENERAL SPECIFICATION

Series	Miniature Loudspeakers
Type	Rectangular loudspeakers
Resonant Frequency	400Hz ±20% 1V
Frequency Range	F 200Hz to 20kHz
Sound Pressure Level at 0.1W/0.1m	83dB ±3dB
Total Harmonic Distortion	10% max. @ 1kHz 0.89V
Weight	7.6g



MATERIALS

Magnet	Nd-Fe-B
Frame	FE
Cone	Cloth
Voice Coil	Self-bonding wire
PCB	Epoxy



ENVIRONMENTAL/OPERATING SPECIFICATION

Operating Temperature	-20°C to +60°C
Storage Temperature	-30°C to +60°C



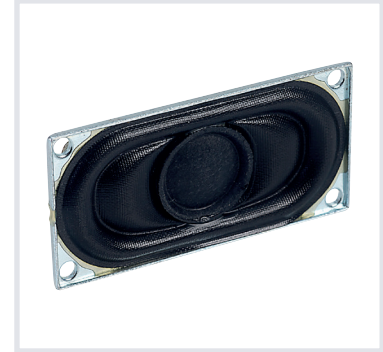
TERMINALS

Terminals	Solder tags
-----------	-------------

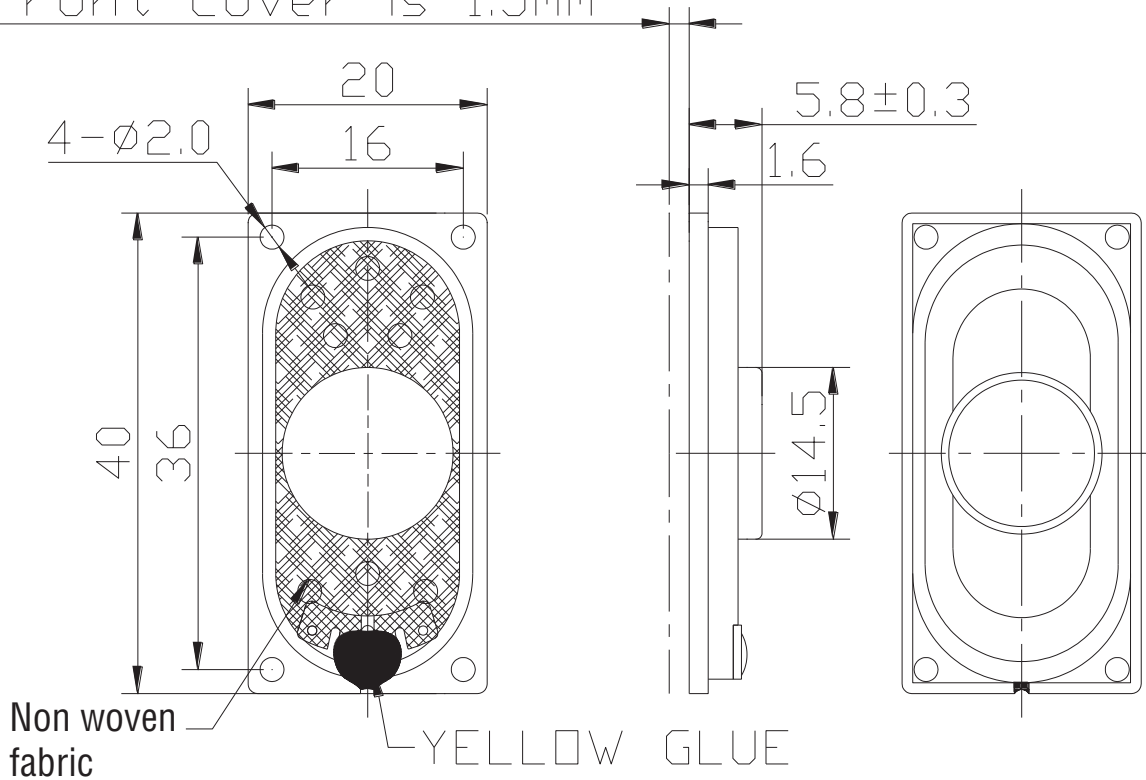


DIMENSIONS/DRAWINGS

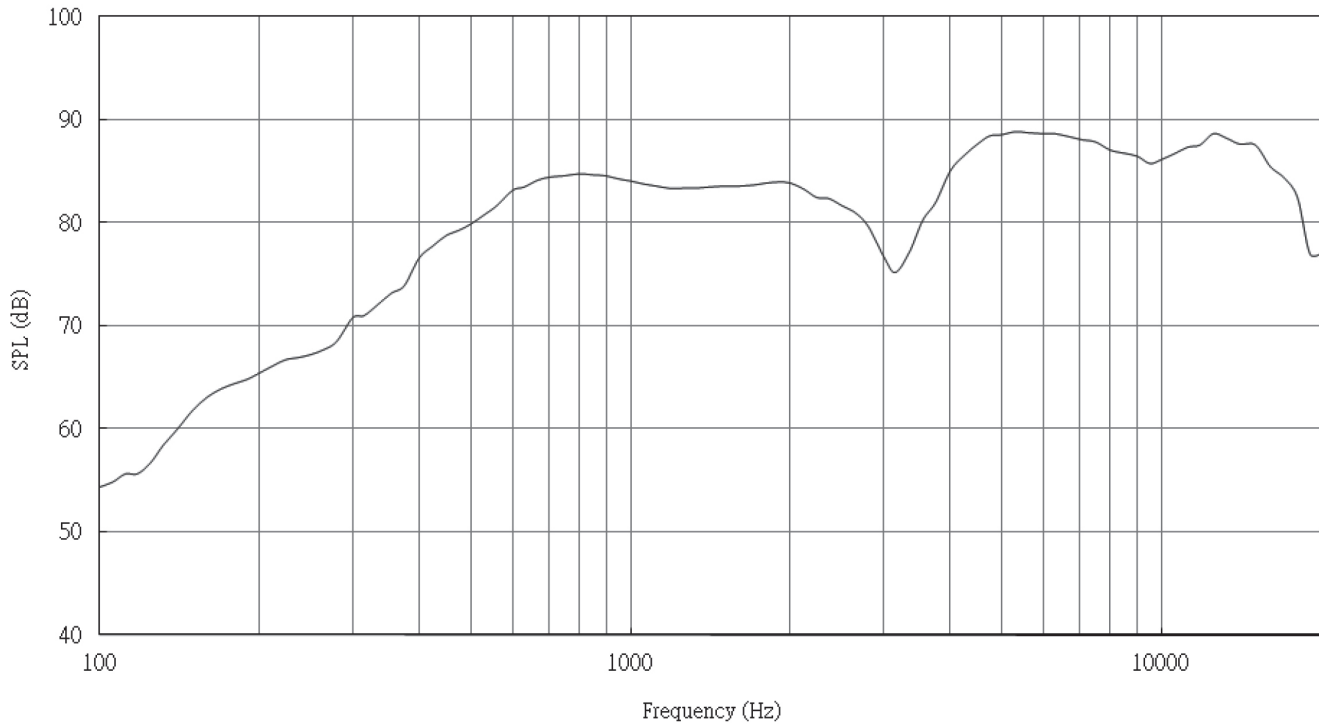
Dimensions	mm
Dimensions	40 x 20mm
Magnet	Ø11.0 x 1.5mm Nd-Fe-B
Voice Coil Diameter	Ø11.75mm



The maximum distance of the diaphragm beyond the front cover is 1.5mm



Frequency Response Chart



PART NUMBER TABLE

Part Number	EAN	UNSPSC	Country of Origin
35-0208	5053556001200	52161512	China

R-TECH

Tried & trusted technology

Important Notice: This data sheet and its contents (the "Information") belong to Rapid Electronics Limited or are licensed to it. No licence is granted for the use of it other than for information purposes in connection with the products to which it relates. No licence of any intellectual property rights is granted. The Information is subject to change without notice and replaces all data sheets previously supplied. The Information supplied is believed to be accurate but Rapid Electronics Limited assumes no responsibility for its accuracy or completeness, any error in or omission from it or for any use made of it. Users of this data sheet should check for themselves the Information and the suitability of the products for their purpose and not make any assumptions based on information included or omitted. Liability for loss or damage resulting from any reliance on the Information or use of it (including liability resulting from negligence or where Rapid Electronics Limited were aware of the possibility of such loss or damage arising) is excluded. This will not operate to limit or restrict Rapid Electronics Limited's liability for death or personal injury resulting from its negligence.