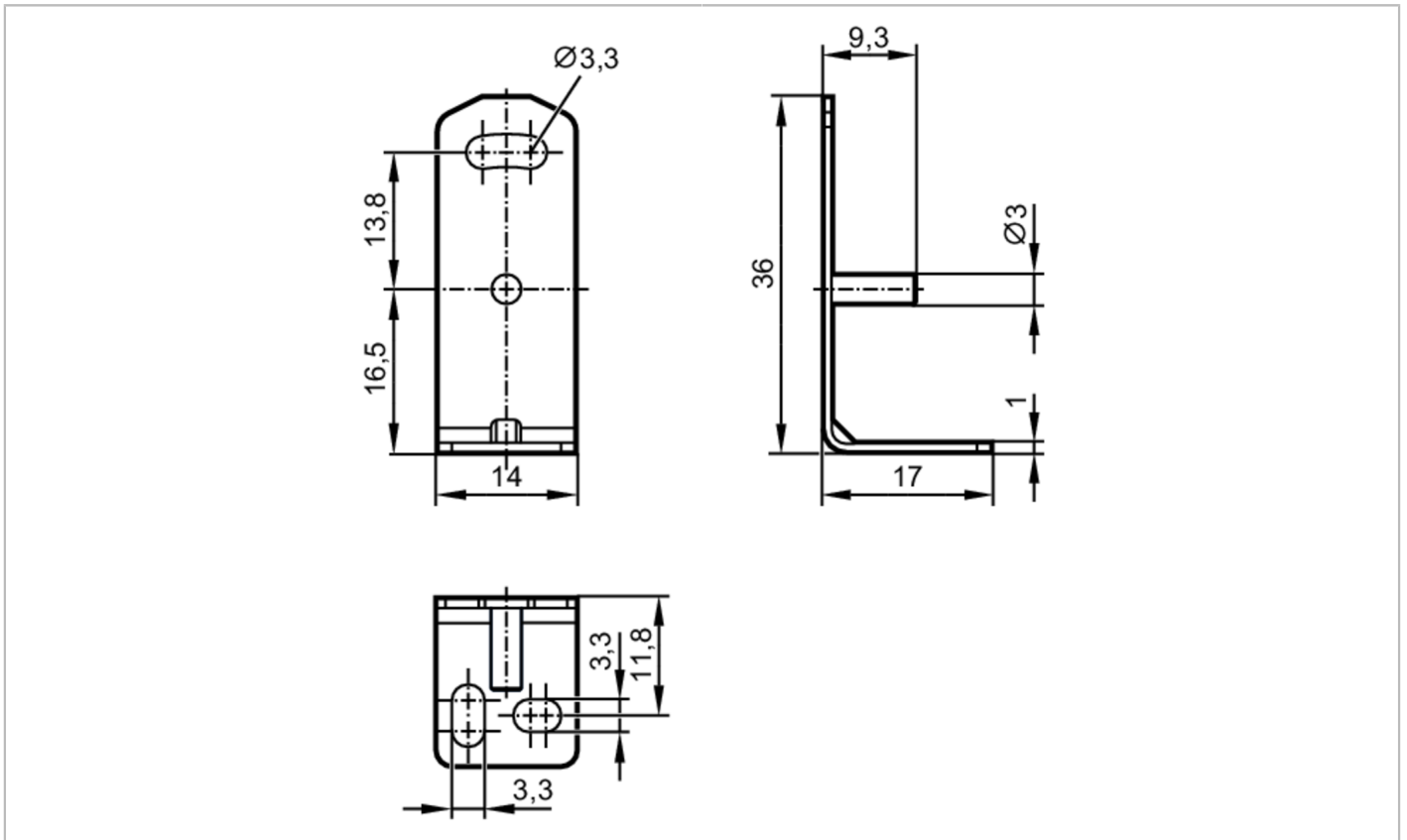


# E21289



## Mounting set for photoelectric sensors

O8 FAST MOUNTING L-BRACKET



### Mechanical data

Weight	[g]	11.9
Materials		stainless steel (1.4401 / 316)

### Accessories

Accessories (supplied)	socket head screws: 1 x M3 x 14, stainless steel hexagon nuts: 1 x M3, stainless steel
------------------------	---

### Remarks

Pack quantity	1 pcs.
---------------	--------