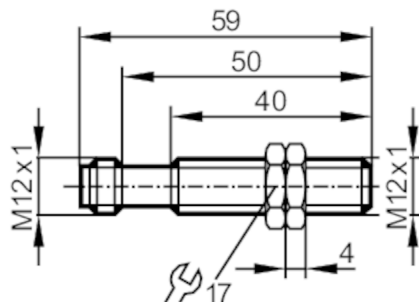


# IF5514



## Inductive sensor

IFK3002-BPKG/V4A/US-100/OLED



### Product characteristics

Electrical design		PNP
Output function		normally open
Sensing range	[mm]	2
Housing		threaded type
Dimensions	[mm]	M12 x 1 / L = 59

### Application

Special feature		Gold-plated contacts
-----------------	--	----------------------

### Electrical data

Operating voltage	[V]	10...36 DC
Max. current consumption	[mA]	15
Protection class		II
Reverse polarity protection		yes

### Outputs

Electrical design		PNP
Output function		normally open
Max. voltage drop switching output DC	[V]	2.5
Permanent current rating of switching output DC	[mA]	200
Short-time current rating of switching output	[mA]	200
Switching frequency DC	[Hz]	200
Short-circuit protection		yes
Overload protection		yes

### Detection zone

Sensing range	[mm]	2
Real sensing range Sr	[mm]	2 ± 10 %
Operating distance	[mm]	0...1.62

# IF5514



## Inductive sensor

IFK3002-BPKG/V4A/US-100/OLED

Accuracy / deviations		
Correction factor	steel: 1 / stainless steel: 0.7 / brass: 0.4 / aluminium: 0.3 / copper: 0.2	
Hysteresis [% of Sr]	1...15	
Switch point drift [% of Sr]	-10...10	
Operating conditions		
Ambient temperature [°C]	-25...80	
Protection	IP 67	
Tests / approvals		
EMC	EN 61000-4-2 ESD	4 kV CD / 8 kV AD
	EN 61000-4-3 HF radiated	3 V/m
	EN 61000-4-4 Burst	2 kV
	EN 61000-4-6 HF conducted	3 V
	EN 55011	class B
MTTF [years]	2002	
Mechanical data		
Weight [g]	28.1	
Housing	threaded type	
Mounting	flush mountable	
Dimensions [mm]	M12 x 1 / L = 59	
Thread designation	M12 x 1	
Materials	stainless steel (1.4571/316Ti); sensing face: PBT	
Tightening torque [Nm]	10	
Accessories		
Accessories (supplied)	lock nuts: 2, stainless steel	
Remarks		
Pack quantity	1 pcs.	
Electrical connection - plug		
Connector: 1 x M12; Contacts: gold-plated		

A diagram of a circular connector with four pins. The pins are arranged in a square pattern. The top-right pin is labeled '1', the top-left pin is labeled '2', the bottom-left pin is labeled '3', and the bottom-right pin is labeled '4'.

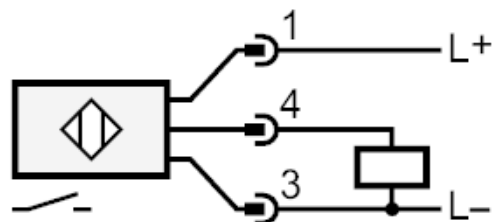
# IF5514



## Inductive sensor

IFK3002-BPKG/V4A/US-100/OLED

### Connection



### Diagrams and graphs

#### Installation

