

MIRO 6.2 MULTI-TIMER TRANSISTOR SK

IN: 24 VDC - OUT: 24 VDC / 0.1 A

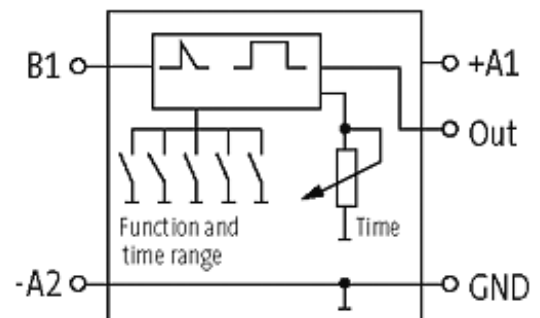
Transistor output

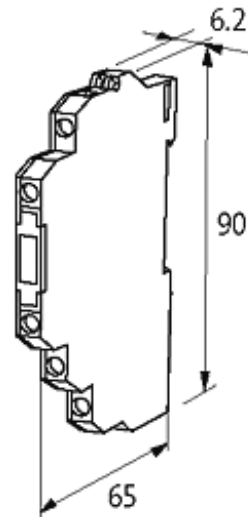
Impulse expansion: 10 ms...10 s

Screw terminals

[Link to Product](#)

Illustration





Product may differ from Image

General data

Dimensions H × W × D 90×6.2×65 mm

Commercial data

country of origin CZ

customs tariff number 85364900

minimum order quantity 1