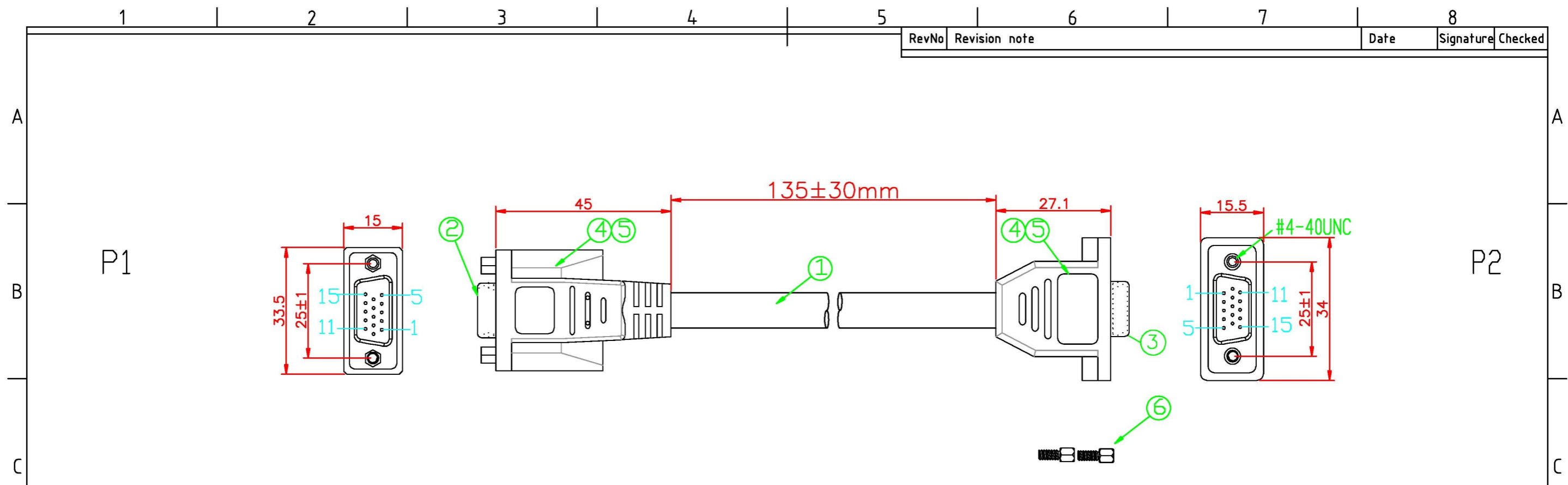


RevNo	Revision note	Date	Signature	Checked
-------	---------------	------	-----------	---------



NOTES:
 1:100% short,open and miss wire test.
 2:Insulation resistance:DC200V 10MΩ(Min)
 Conduction resistance 5Ω(Max)
 3:Screws need to install in the P2 side.

PIN OUT

P1		P2	P1	P2
1	Red coax conductor	1	9	9
2	Green coax conductor	2	10	10
3	Blue coax conductor	3	11	11
4		4	12	12
5		5	13	13
6	Red coax drain	6	14	14
7	Green coax drain	7	15	15
8	Blue coax drain	8	shell	Drain shell

⑥	SCREW	THUMB SCREW #4-40*12	2	PCS
⑤	OUTER MOLDED	BLACK 45P PVC	0.024	KG
④	INNER MOLDED	LDPE	0.024	KG
③	CONNECTOR	HDB 15 PIN/F WITH AFTER RIVET NUT,GOLD FLASH CONTACTS,NICKEL PLATED SHELL, BLUE INSULATION	1	PCS
②	CONNECTOR	HDB 15 PIN/F WITH FRONT RIVET NUT,GOLD FLASH CONTACTS,NICKEL PLATED SHELL, BLUE INSULATION	1	PCS
①	CABLE	[(28AWG+FM-PE+D+AL-FOIL+PVC)X3+(28AWG+PVC)X9C+AL+DRAIN+BRAID (80/0.12AL-MG)+BLACK PVC,OD: 8.0±0.2MM	220	MM
NO.	MATERIAL	DESCRIPTIONG	QTY.	UNIT

Ltemref	Quantity	Title/Name,designation,material,dimension etc			Article No./Reference
Designed by ACHY	Checked by HELEN	Approved by - date OCT 31.2013	File name HDB 15P F/F 0.135M	Date OCT 31.2013	Scale FREE
ANGLE:	ADAPTOR LEAD, VGA, SOCKETS, 135MM				
UNIT:MM	AV23284(PSG03799)			Edition 1	Sheet 1/1