



Charging Inlets

TE Internal #: 2-2208885-2

TE Internal Description: HV,CHARGE INLET TYPE2,HYB ASSY

[View on TE.com >](#)

Product Compliance

[For compliance documentation, visit the product page on TE.com>](#)

EU RoHS Directive 2011/65/EU	Compliant with Exemptions
EU ELV Directive 2000/53/EC	Compliant with Exemptions
China RoHS 2 Directive MIIT Order No 32, 2016	Restricted Materials Above Threshold
EU REACH Regulation (EC) No. 1907/2006	Current ECHA Candidate List: JUNE 2022 (224) Candidate List Declared Against: JAN 2022 (223) Does not contain REACH SVHC
Halogen Content	Low Halogen - Br, Cl, F, I < 900 ppm per homogenous material. Also BFR/CFR/PVC Free
Solder Process Capability	Not reviewed for solder process capability

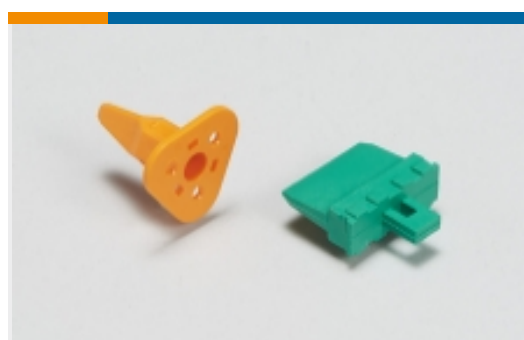
Product Compliance Disclaimer

This information is provided based on reasonable inquiry of our suppliers and represents our current actual knowledge based on the information they provided. This information is subject to change. The part numbers that TE has identified as EU RoHS compliant have a maximum concentration of 0.1% by weight in homogenous materials for lead, hexavalent chromium, mercury, PBB, PBDE, DBP, BBP, DEHP, DIBP, and 0.01% for cadmium, or qualify for an exemption to these limits as defined in the Annexes of Directive 2011/65/EU (RoHS2). Finished electrical and electronic equipment products will be CE marked as required by Directive 2011/65/EU. Components may not be CE marked. Additionally, the part numbers that TE has identified as EU ELV compliant have a maximum concentration of 0.1% by weight in homogenous materials for lead, hexavalent chromium, and mercury, and 0.01% for cadmium, or qualify for an exemption to these limits as defined in the Annexes of Directive 2000/53/EC (ELV). Regarding the REACH Regulation, the information TE provides on SVHC in articles for this part number is based on the latest European Chemicals Agency (ECHA) 'Guidance on requirements for substances in articles' posted at this URL: <https://echa.europa.eu/guidance-documents/guidance-on-reach>

Also in the Series | Charging Inlets



Automotive Connector Caps & Covers (30)



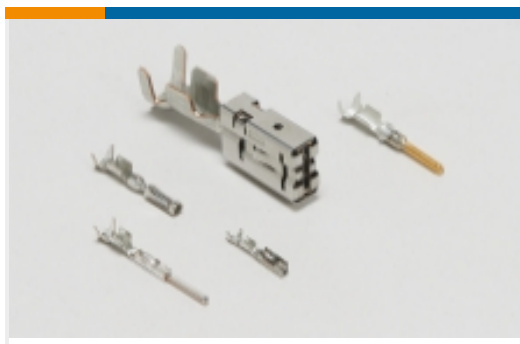
Automotive Connector Locks & Position Assurance(3)



Automotive Housings(14)



Automotive Seals & Cavity Plugs(4)



Automotive Terminals(14)



Crimp Wire Pins, Tabs & Ferrules(6)



Electric, Hybrid & Fuel Cell Cable Assemblies(48)

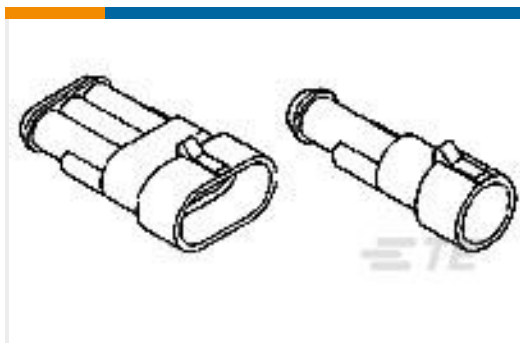


High Voltage Wire Processing Equipment(18)



Other Automotive Connector Accessories(2)

Customers Also Bought



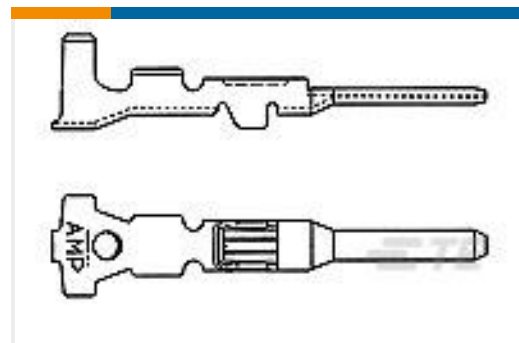
TE Part #282104-1
AMP SUPERSEAL 1.5 SERIES 2P CA



TE Part #7-1393114-7
KUHP-11D51-12=KU



TE Part #2-1623927-3
CFR16 5% 1K0



TE Part #282109-1
MINI MIC TAB CONTACT

Documents

Product Drawings

[HV,CHARGE INLET TYPE2,HYB ASSY](#)

English

CAD Files

[3D PDF](#)

3D

Customer View Model

[ENG_CVM_CVM_2-2208885-2_E.2d_dxf.zip](#)

English

Customer View Model

[ENG_CVM_CVM_2-2208885-2_E.3d_igs.zip](#)

English

Customer View Model

[ENG_CVM_CVM_2-2208885-2_E.3d_stp.zip](#)

English

By downloading the CAD file I accept and agree to the [Terms and Conditions](#) of use.



[Product Specifications](#)

[Application Specification](#)

English