

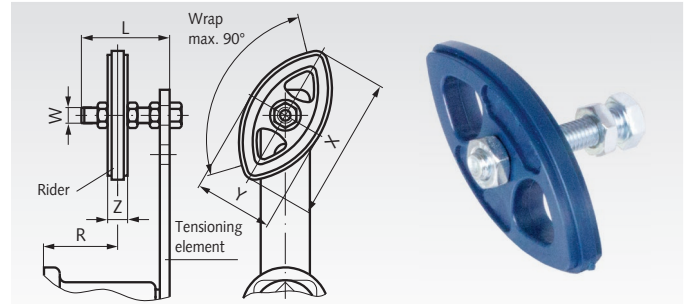
## Chain Rider Sets for Single-Strand Roller Chains

**Material:** Plastic POM-H. Screw zinc-plated steel.

To be mounted on the suitable tensioning element to create a ready-to-mount, cost-efficient chain tensioner. The shape of the rider, made from high-grade, friction resistant, industrial plastic, means the rider can be used on both rider sides and the large radius guarantees quiet operation. The maximum chain speed must not exceed 1.5 m/sec. Temperature range: -40° to +100°C.

Tensioning Element has to be ordered separately.

Ordering Details: e.g.: Product No. 14085100 Chain Rider Set 06 B-1



Product No.	Suitable for Tensioning Element Size	DIN ISO	W mm	L mm	X mm	Y mm	Z mm	R <sub>min</sub> mm	R <sub>max</sub> mm	Weight kg
140 851 00	0	06 B-1	M8	45	74	40	10,2	17	32	0,05
140 855 00	1	08 B-1	M10	55	96	50	13,9	23	41	0,10
140 856 00	2	10 B-1	M10	55	126	65	16,6	40	55	0,12
140 857 00	3	12 B-1	M12	80	148	74	19,5	47	78	0,18

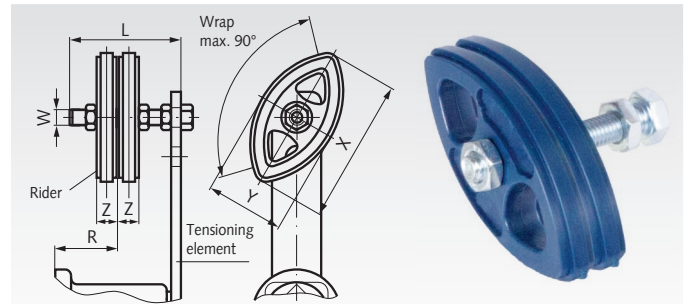
## Chain Rider Sets for Double-Strand Roller Chains

**Material:** Plastic POM-H. Screw zinc-plated steel.

To be mounted on the suitable tensioning element to create a ready-to-mount, cost-efficient chain tensioner. The shape of the rider, made from high-grade, friction resistant, industrial plastic, means the rider can be used on both rider sides and the large radius guarantees quiet operation. The maximum chain speed must not exceed 1.5 m/sec. Temperature range: -40° to +100°C.

Tensioning Element has to be ordered separately.

Ordering Details: e.g.: Product No. 14085100 Chain Rider Set 06 B-1



Product No.	Suitable for Tensioning Element Size	DIN ISO	W mm	L mm	X mm	Y mm	Z mm	R <sub>min</sub> mm	R <sub>max</sub> mm	Weight kg
140 860 01	0	06 B-2	M8	45	74	40	10,2	25	30	0,07
140 860 05	1	08 B-2	M10	55	96	50	13,9	30	34	0,12
140 860 06	2	10 B-2	M10	70	126	65	16,6	34	46	0,17
140 860 07	3	12 B-2	M12	80	148	74	19,5	40	52	0,26



Lubricators page 1024