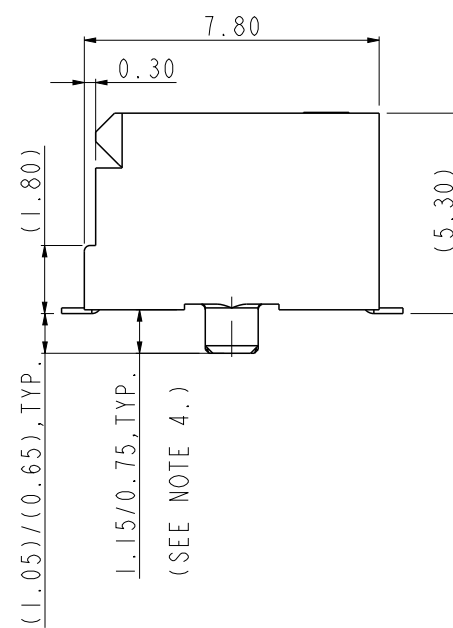
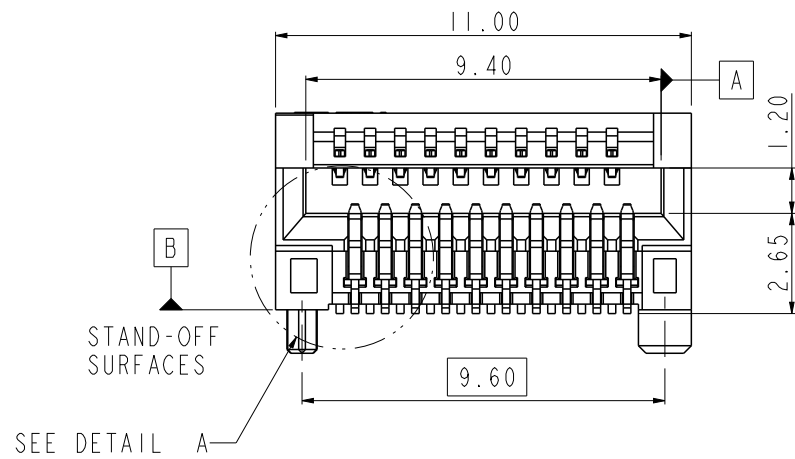
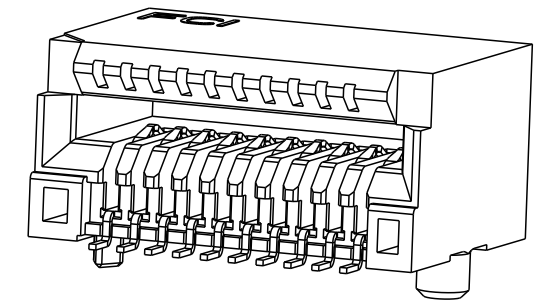
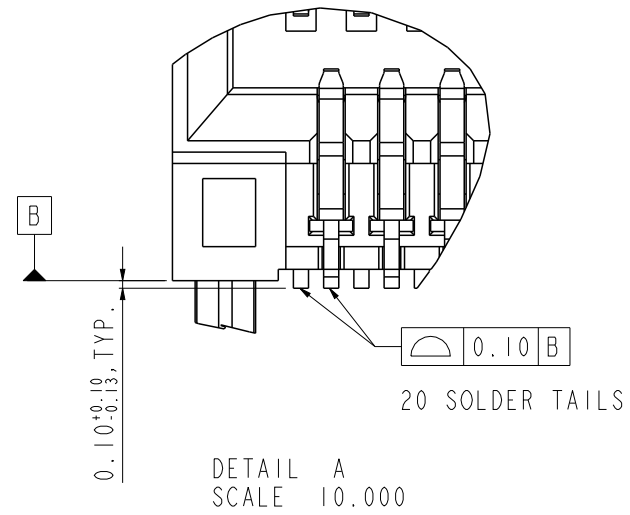
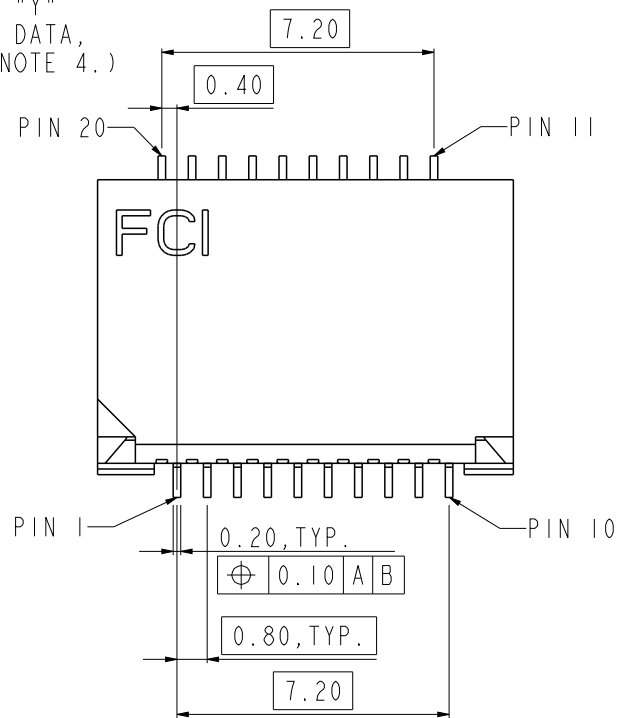
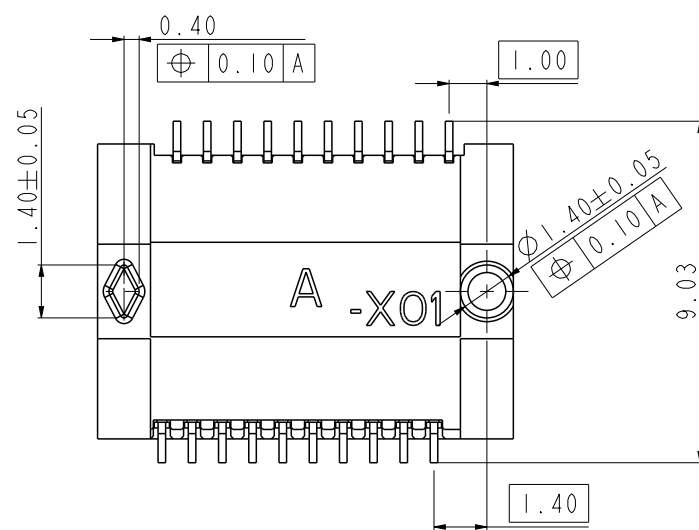


(SYMBOLS "X" AND "Y" DEFINES ORDERING DATA, PLEASE REFER TO NOTE 4.)



- NOTE:
- Material:
 - HOUSING: HIGH TEMPERATURE LCP, BLACK UL 94 V-0 FLAME RETARDANT.
 - TERMINAL: COPPER ALLOY.
 - PLATING SPEC AS BELOW:
 - FOR CONTACT AREA:
 - 1YILF FOR 0.76 MICROMETERS MIN. THICKNESS GOLD.
 - 9YILF FOR 0.76 MICROMETERS MIN. THICKNESS GXT
 - FOR SOLDER AREA:
 - MATTE PURE TIN 3 MICROMETERS MIN. FOR THREE TYPES.
 - FOR UNDERPLATING:
 - 1YILF AND -9YILF: 2.54 MICROMETERS MIN. THICKNESS NICKEL
 - PACKING SPEC. GS-14-1030
 - PRODUCT SPEC. GS-12-339.
 - PART NUMBER SCHEME: (EX. 10056847-XYILF), PLEASE FIND THE PAGE 2 FOR OPTIONS.
 - (SYMBOL "X" IS FOR SELECTED PLATING AND "LF" MEANS LEAD FREE PRODUCT.
 - (SYMBOL "Y" IS FOR PEG LENGTH SELECTION: "0" DEFINES FOR LENGTH=1.15mm AND "1" DEFINES FOR LENGTH=0.75mm.
 - LEAD FREE NOTES:
 - 5a. THE HOUSING WILL WITHSTAND EXPOSURE TO 260° C PEAK TEMPERATURE FOR 10 SECONDS IN A CONVECTION, INFRA-RED OR VAPOR PHASE REFLOW OVEN.
 - 5b. THIS PRODUCT MEETS EUROPEAN UNION DIRECTIVES AND OTHER COUNTRY REGULATIONS AS DESCRIBED IN GS-22-008.
 - THIS CONNECTOR IS DESIGNED TO WORK WITH RAIL SYSTEM THAT ALLOW THE MODULE TO "FLOAT" IN THE VERTICAL PLANE AND FIND EQUILIBRIUM BETWEEN THE UPPER AND LOWER CONNECTOR ROWS. THIS CONNECTOR WILL NOT PERFORM PROPERLY IF USED IN SYSTEMS THAT MECHANICALLY BIAS THE MODULE IN THE VERTICAL PLANE SUCH AS RAIL RAIL SYSTEMS WITH EMI SPRINGS.



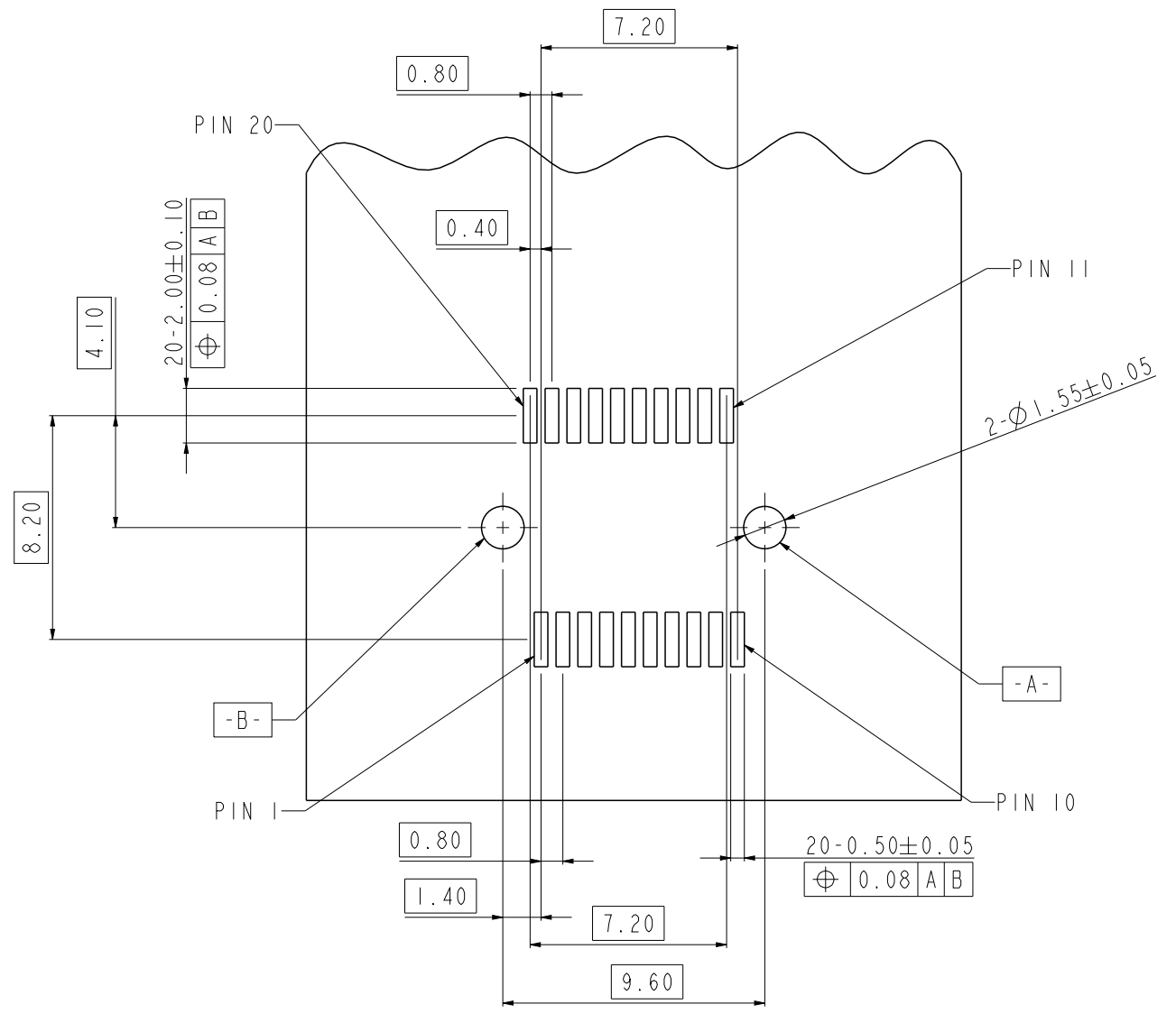
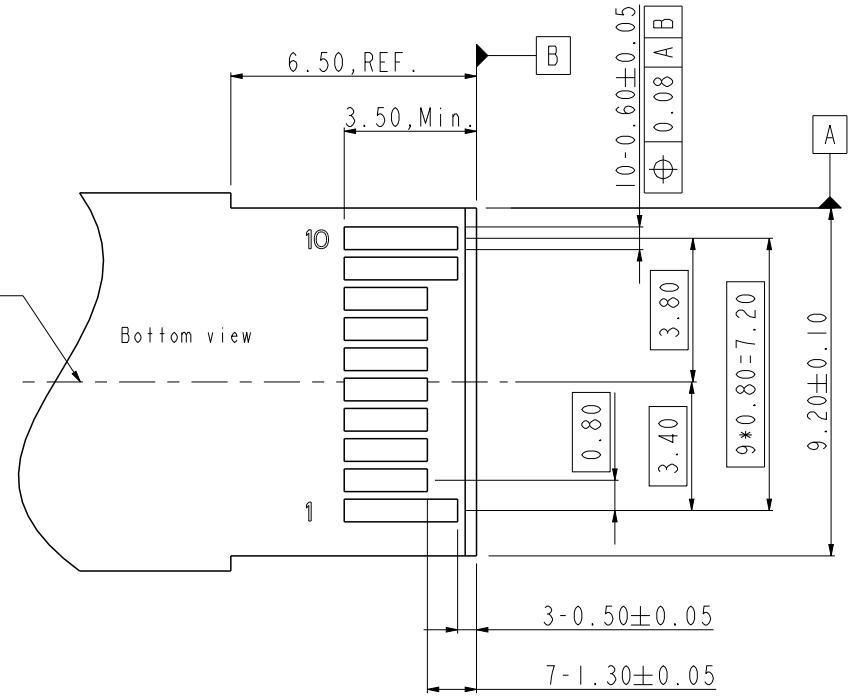
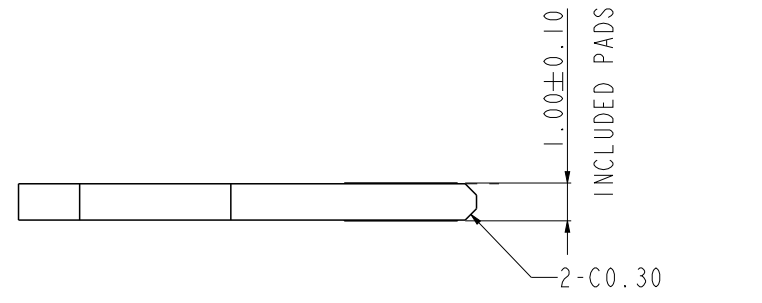
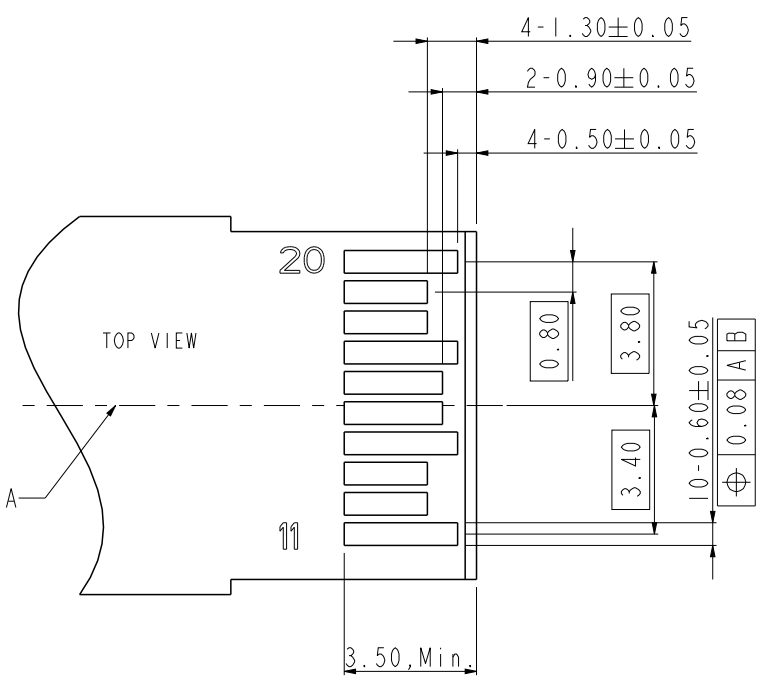
spec ref	*	dr	wcadmin	2006/09/11	projection	MM	size	A3	scale	5.000	
tolerance std	ISO 406 ISO 1101	eng	De-Feng, Qin	2012/03/07			ecn no	ELX-DG-010299-1			
	TOLERANCES UNLESS OTHERWISE SPECIFIED	chr	Terry Qiu	2012/03/15			rel level	Released			
surface	linear	appr	Pei-Ming Zheng	2012/03/15	product family						
	angular										
	0.X ± 0.30			title RIGHR ANGLE TYPE, 20POS. EDGE CARD CONNECTOR		dwg no 10056847		rev G			
	0.XX ± 0.13									cat. no. Product - Customer Drw	
	0.XXX ± 0.05										
ISO 1302	0° ± 3°	www.fci.com		PDS: Rev :G		STATUS:Released		Printed: Mar 15, 2012			



Copyright FCI.

PRODUCT NO
10056847-XYILF

PART NUMBER	HOUSING (Peg length option)	TERMINALS (Contact plating options)	TERMINALS (Underplating and Solder tail plating)	REMARK
10056847-10ILF	Peg length=1.15mm	0.76um, Min.Gold	Underplating:2.54um Min. Nickel overall. Solder tail: 3um Min. Matte Tin.	
10056847-11ILF	Peg length=0.75mm	0.76um, Min.Gold	Underplating:2.54um Min. Nickel overall. Solder tail: 3um Min. Matte Tin.	
10056847-90ILF	Peg length=1.15mm	0.76um, Min.GXT	Underplating:2.54um Min. Nickel overall. Solder tail: 3um Min. Matte Tin.	
10056847-91ILF	Peg length=0.75mm	0.76um, Min.GXT	Underplating:2.54um Min. Nickel overall. Solder tail: 3um Min. Matte Tin.	



RECOMMENDED PCB LAYOUT
CONNECTOR MOUNTING SIDE
SCALE 4.000

RECOMMENDED LAYOUT
MATING PCB SIDE

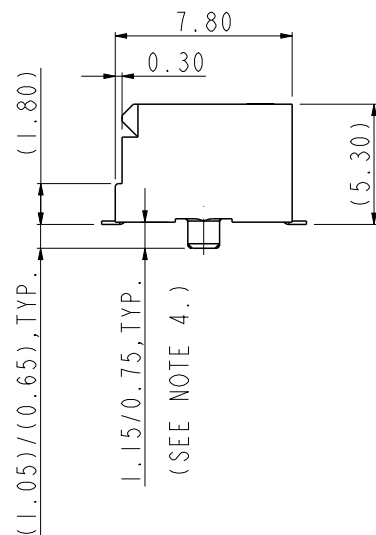
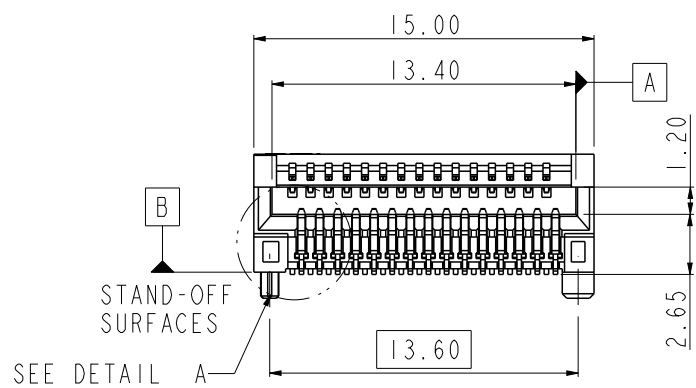
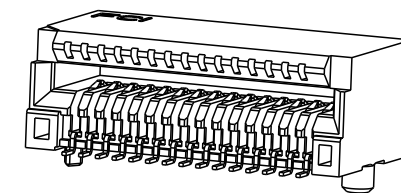
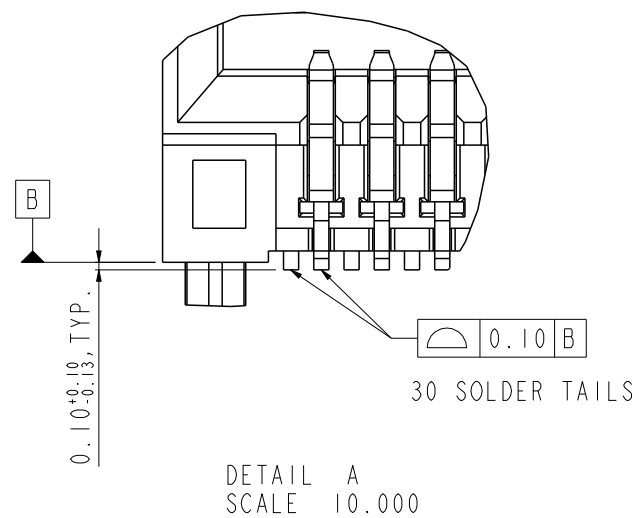
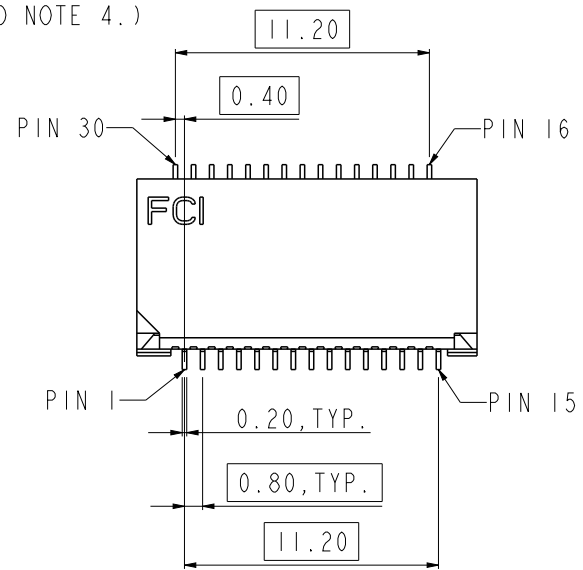
spec ref	*	dr	wcadmin	2006/09/11	projection	MM	size	A3	scale	5.000	
tolerance std	ISO 406 ISO 1101	eng	De-Feng, Qin	2012/03/07			ecn no	ELX-DG-010299-1			
surface	ISO 1302	chr	Terry Qiu	2012/03/15			rel level	Released			
linear	0.X ± 0.30 0.XX ± 0.13 0.XXX ± 0.05	appr	Pei-Ming Zheng	2012/03/15	product family	dwg no		10056847		rev	G
angular	0° ± 3°	www.fci.com		cat. no.	Product - Customer Drw		sheet 2 of 6				

Copyright FCI.



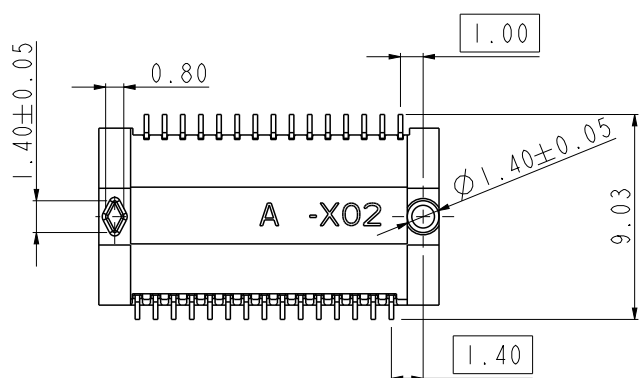
PRODUCT NO
10056847-XY2LF

(SYMBOLS "X" AND "Y"
DEFINES ORDERING DATA,
PLEASE REFER TO NOTE 4.)



NOTE:

- Material:
HOUSING: HIGH TEMPERATURE LCP, BLACK
UL 94 V-0 FLAME RETARDANT.
TERMINAL: COPPER ALLOY.
PLATING SPEC AS BELOW:
FOR CONTACT AREA:
-1Y2LF FOR 0.76 MICROMETERS MIN. THICKNESS GOLD.
-9Y2LF FOR 0.76 MICROMETERS MIN. THICKNESS GXT.
FOR SOLDER AREA:
MATTE PURE TIN 3 MICROMETERS MIN. FOR THREE TYPES.
FOR UNDERPLATING:
-1Y2LF AND -9Y2LF: 2.54 MICROMETERS MIN. THICKNESS NICKEL
- PACKING SPEC. GS-14-1030
- PRODUCT SPEC. GS-12-339.
- PART NUMBER SCHEME: (EX. 10056847-XY2LF), PLEASE FIND THE PAGE 2 FOR OPTIONS.
(SYMBOL "X" IS FOR SELECTED PLATING AND "LF" MEANS LEAD FREE PRODUCT.
(SYMBOL "Y" IS FOR PEG LENGTH SELECTION:
"0" DEFINES FOR LENGTH=1.15mm AND "1" DEFINES FOR LENGTH=0.75mm.
- LEAD FREE NOTES:
5a. THE HOUSING WILL WITHSTAND EXPOSURE TO 260° C PEAK TEMPERATURE FOR 10 SECONDS IN A CONVECTION, INFRA-RED OR VAPOR PHASE REFLOW OVEN.
5b. THIS PRODUCT MEETS EUROPEAN UNION DIRECTIVES AND OTHER COUNTRY REGULATIONS AS DESCRIBED IN GS-22-008.
- THIS CONNECTOR IS DESIGNED TO WORK WITH RAIL SYSTEM THAT ALLOW THE MODULE TO "FLOAT" IN THE VERTICAL PLANE AND FIND EQUILIBRIUM BETWEEN THE UPPER AND LOWER CONNECTOR ROWS. THIS CONNECTOR WILL NOT PERFORM PROPERLY IF USED IN SYSTEMS THAT MECHANICALLY BIAS THE MODULE IN THE VERTICAL PLANE SUCH AS RAIL RAIL SYSTEMS WITH EMI SPRINGS.

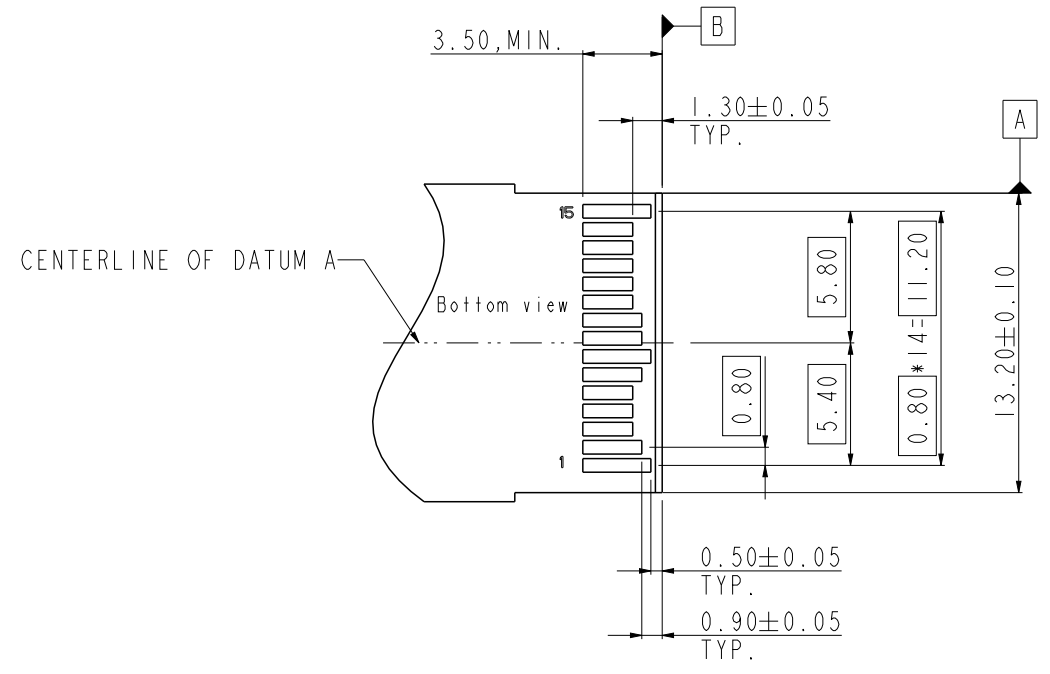
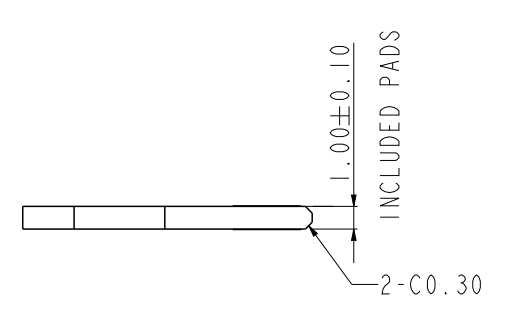
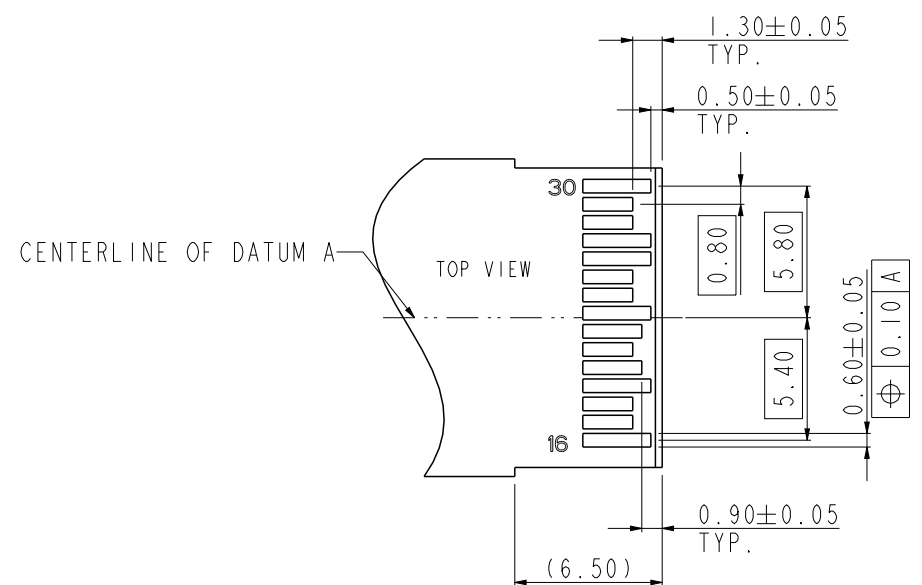


spec ref	*	dr	wcadmin	2006/09/11	projection	MM	size	A3	scale	3.000	
tolerance std	TOLERANCES UNLESS OTHERWISE SPECIFIED	eng	De-Feng, Qin	2012/03/07			ecn no	ELX-DG-010299-1	rel level	Released	
ISO 406		chr	Terry Qiu	2012/03/15							
ISO 1101		appr	Pei-Ming Zheng	2012/03/15							
surface	linear	0.X	± 0.30		title RIGHR ANGLE TYPE, 20POS. EDGE CARD CONNECTOR	dwg no 10056847	rev G	Product - Customer Drw		sheet 3 of 6	
		0.XX	± 0.13					cat. no.	Product - Customer Drw		sheet 3 of 6
		0.XXX	± 0.05								
ISO 1302	angular	0°	± 3°								

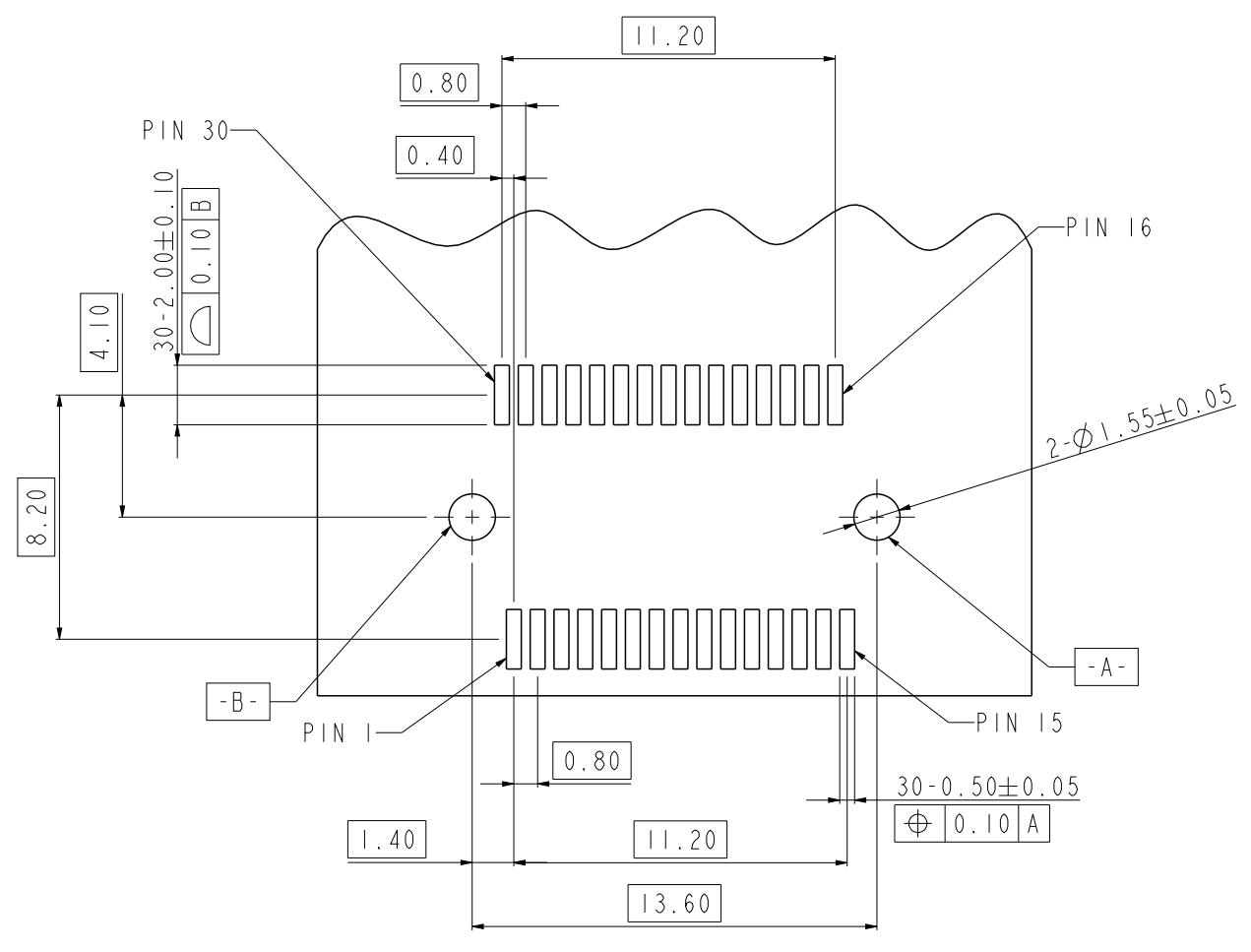


Copyright FCI.

PRODUCT NO
10056847-XY2LF



PART NUMBER	HOUSING (Peg length option)	TERMINALS (Contact plating options)	TERMINALS (Underplating and Solder tail plating)	REMARK
10056847-102LF	Peg length=1.15mm	0.76um, Min.Gold	Underplating:2.54um Min. Nickel overall. Solder tail: 3um Min. Matte Tin.	
10056847-112LF	Peg length=0.75mm	0.76um, Min.Gold	Underplating:2.54um Min. Nickel overall. Solder tail: 3um Min. Matte Tin.	
10056847-902LF	Peg length=1.15mm	0.76um, Min.GXT	Underplating:2.54um Min. Nickel overall. Solder tail: 3um Min. Matte Tin.	
10056847-912LF	Peg length=0.75mm	0.76um, Min.GXT	Underplating: 1.0um Min. NXT(AmNi) overall. Solder Tail: 3um Min. Matte Tin.	



RECOMMENDED LAYOUT
MATING PCB SIDE

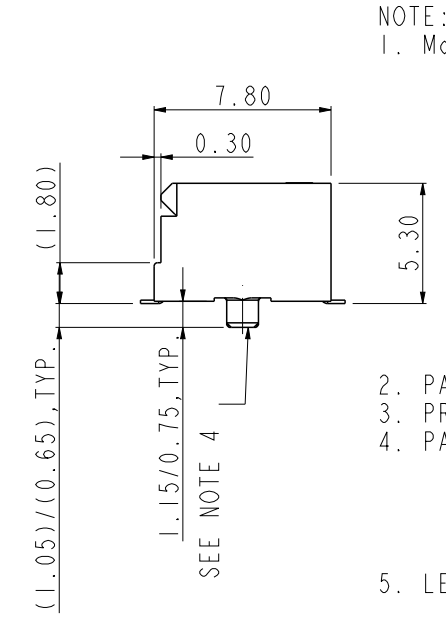
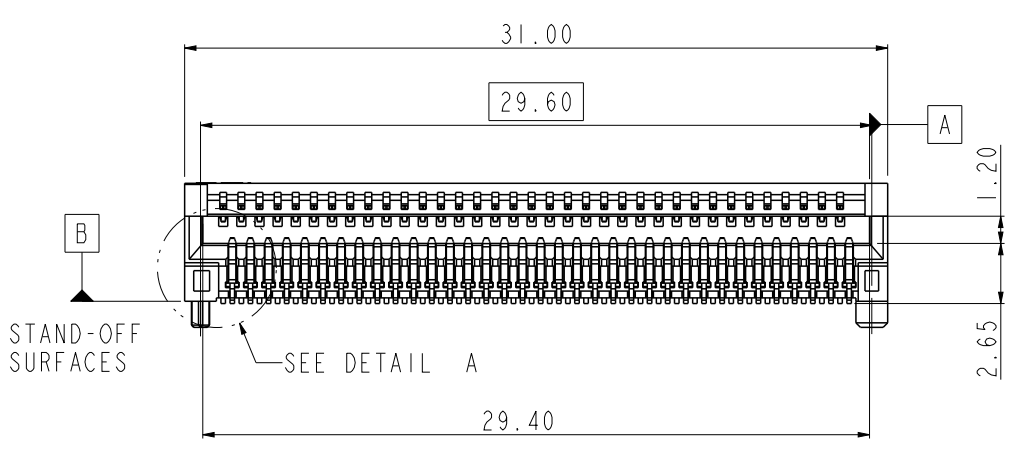
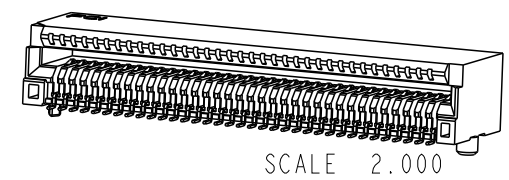
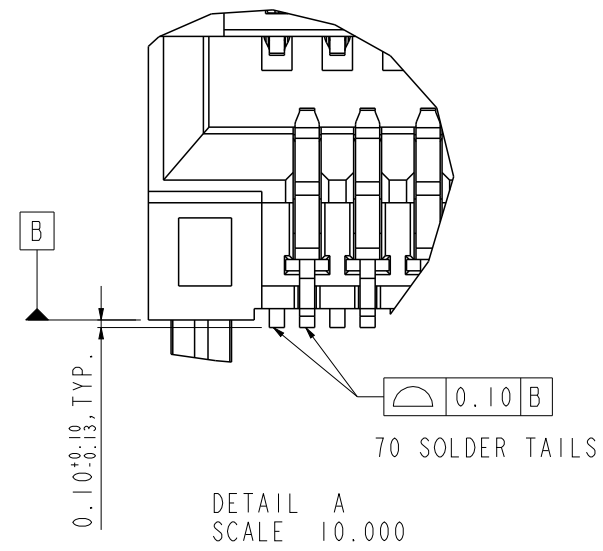
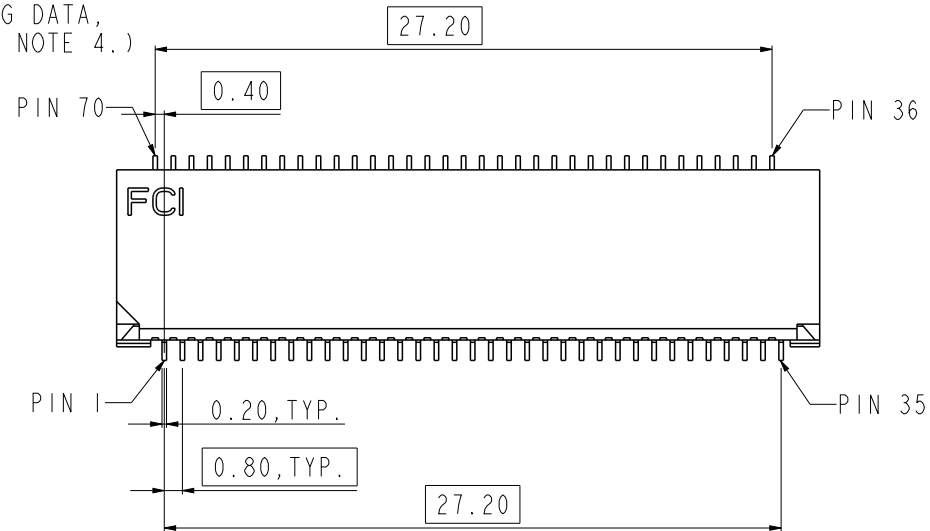
spec ref	*	dr	wcadmin	2006/09/11	projection	MM	size	A3	scale	1.000
tolerance std	ISO 406 ISO 1101	TOLERANCES UNLESS OTHERWISE SPECIFIED			eng	De-Feng, Qin	2012/03/07	ecn no	ELX-DG-010299-1	
surface	✓ linear	0.X	± 0.30	chr	Terry Qiu	2012/03/15	product family	rel level	Released	
		0.XX	± 0.13	appr	Pei-Ming Zheng	2012/03/15			dwg no	10056847
		0.XXX	± 0.05						rev	G
	ISO 1302	angular	0°	± 3°	www.fci.com	cat. no.	Product - Customer Drw	sheet 4 of 6		



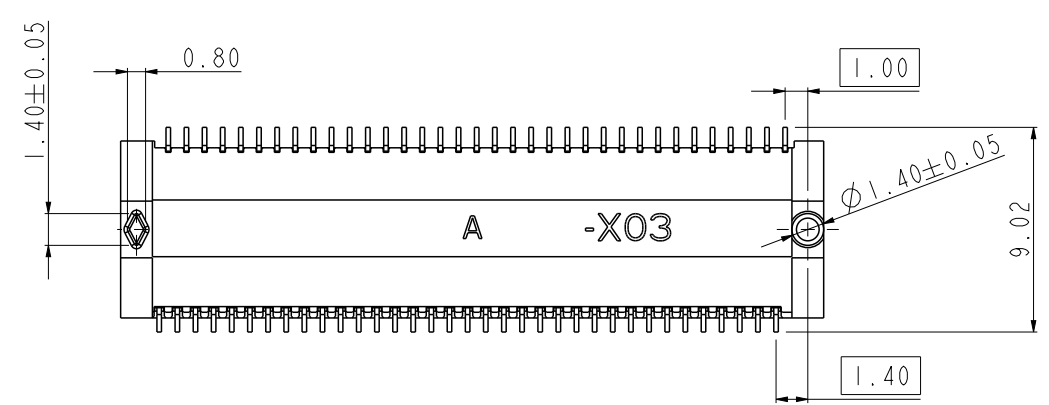
Copyright FCI.

PRODUCT NO
10056847-XY3LF

(SYMBOLS "X" AND "Y"
DEFINES ORDERING DATA,
PLEASE REFER TO NOTE 4.)



- NOTE:
- Material:
HOUSING: HIGH TEMPERATURE LCP, BLACK
UL 94 V-0 FLAME RETARDANT.
TERMINAL: COPPER ALLOY.
PLATING SPEC AS BELOW:
FOR CONTACT AREA:
-1Y3LF FOR 0.76 MICROMETERS MIN. THICKNESS GOLD.
-9Y3LF FOR 0.15 MICROMETERS MIN. THICKNESS GXT
FOR SOLDER AREA:
MATTE PURE TIN 3 MICROMETERS MIN. FOR THREE TYPES.
FOR UNDERPLATING:
-1Y3LF AND -9Y3LF: 2.54 MICROMETERS MIN. THICKNESS NICKEL
 - PACKING SPEC. GS-14-1030
 - PRODUCT SPEC. GS-12-339.
 - PART NUMBER SCHEME: (EX. 10056847-XY3LF), PLEASE FIND THE PAGE 2 FOR OPTIONS.
(SYMBOL "X" IS FOR SELECTED PLATING AND
"LF" MEANS LEAD FREE PRODUCT.
(SYMBOL "Y" IS FOR PEG LENGTH SELECTION:
"0" DEFINES FOR LENGTH=1.15mm AND "1" DEFINES FOR LENGTH=0.75mm.
 - LEAD FREE NOTES:
5a. THE HOUSING WILL WITHSTAND EXPOSURE TO 260° C PEAK TEMPERATURE FOR 10 SECONDS IN A COVECTION, INFRA-RED OR VAPOR PHASE REFLOW OVEN.
5b. THIS PRODUCT MEETS EUROPEAN UNION DIRECTIVES AND OTHER COUNTRY REGULATIONS AS DESCRIBED IN GS-22-008.
 - THIS CONNECTOR IS DESIGNED TO WORK WITH RAIL SYSTEM THAT ALLOW THE MODULE TO "FLOAT" IN THE VERTICAL PLANE AND FIND EQUILIBRIUM BETWEEN THE UPPER AND LOWER CONNECTOR ROWS. THIS CONNECTOR WILL NOT PERFORM PROPERLY IF USED IN SYSTEMS THAT MECHANICALLY BIAS THE MODULE IN THE VERTICAL PLANE SUCH AS RAIL RAIL SYSTEMS WITH EMI SPRINGS.

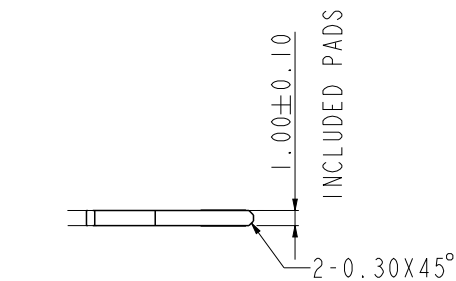
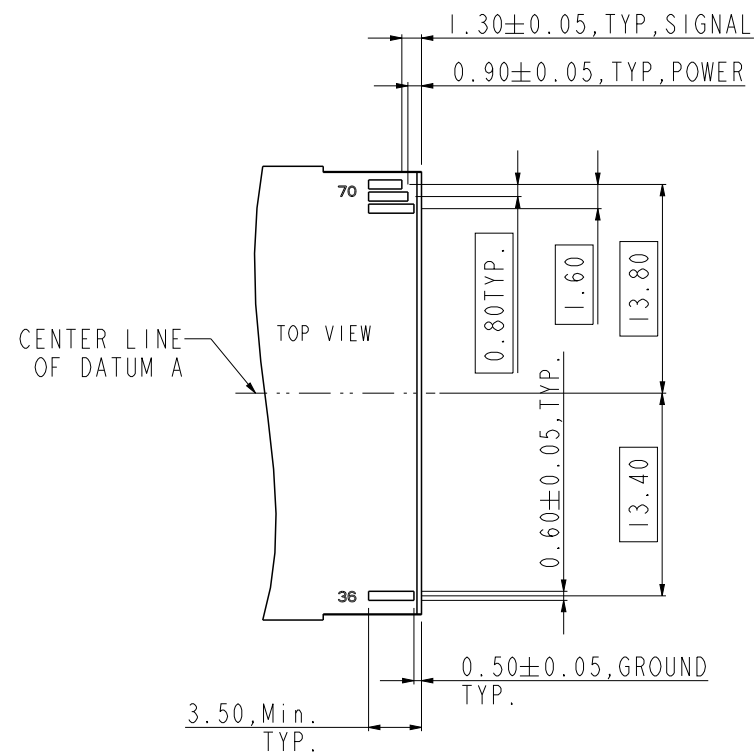


spec ref	*	dr	wcadmin	2006/09/11	projection	MM	size	A3	scale	1.000	
tolerance std	ISO 406 ISO 1101	eng	De-Feng, Qin	2012/03/07			ecn no	ELX-DG-010299-1			
	TOLERANCES UNLESS OTHERWISE SPECIFIED	chr	Terry Qiu	2012/03/15			rel level	Released			
surface	linear	appr	Pei-Ming Zheng	2012/03/15	product family		dwg no	10056847		rev	G
	angular							Product - Customer Drw		sheet 5 of 6	
	0.X ± 0.30 0.XX ± 0.13 0.XXX ± 0.05 0° ± 3°	www.fci.com		cat. no.	Product - Customer Drw		PDS: Rev :G		STATUS:Released		
		www.fci.com		cat. no.	Product - Customer Drw		PDS: Rev :G		STATUS:Released		

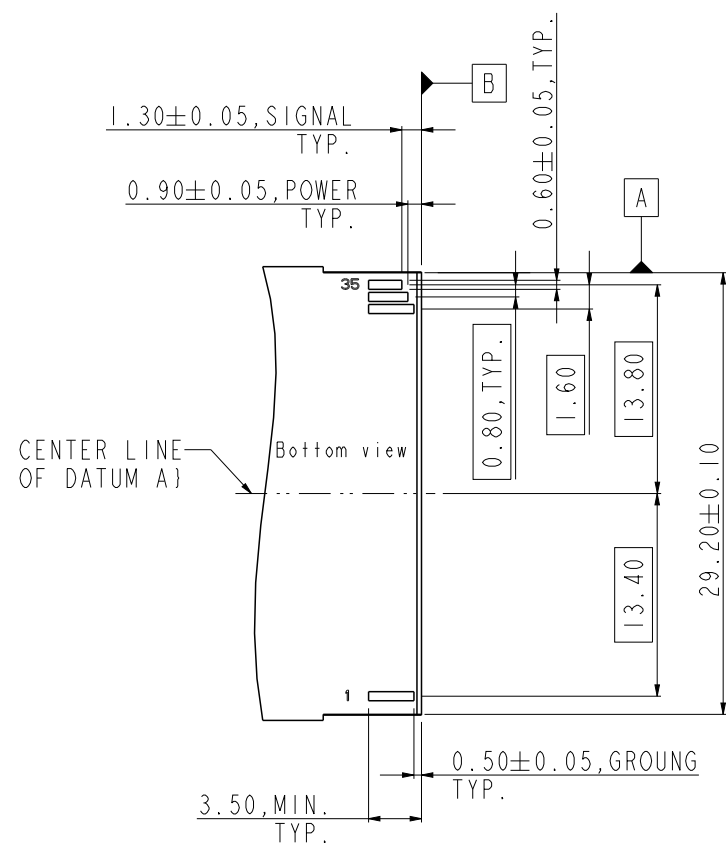


Copyright FCI.

PRODUCT NO
10056847-XY3LF

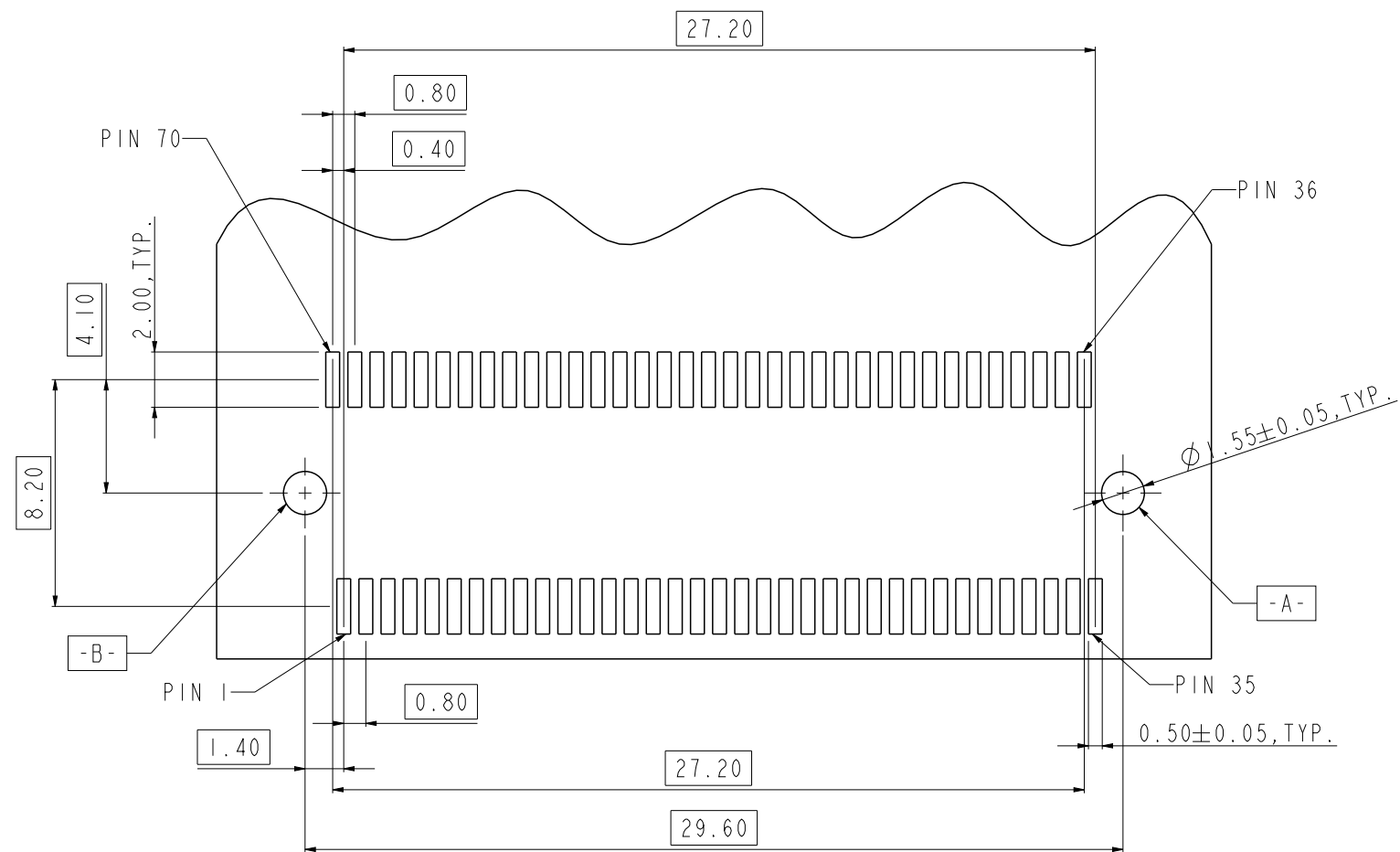


SCALE 2.000



RECOMMENDED LAYOUT
MATING PCB SIDE

PART NUMBER	HOUSING (Peg length option)	TERMINALS (Contact plating options)	TERMINALS (Underplating and Solder tail plating)	REMARK
10056847-103LF	Peg length=1.15mm	0.76um, Min.Gold	Underplating:2.54um Min. Nickel overall. Solder tail: 3um Min. Matte Tin.	
10056847-113LF	Peg length=0.75mm	0.76um, Min.Gold	Underplating:2.54um Min. Nickel overall. Solder tail: 3um Min. Matte Tin.	
10056847-903LF	Peg length=1.15mm	0.76um, Min.GXT	Underplating:2.54um Min. Nickel overall. Solder tail: 3um Min. Matte Tin.	
10056847-913LF	Peg length=0.75mm	0.76um, Min.GXT	Underplating:2.54um Min. Nickel overall. Solder tail: 3um Min. Matte Tin.	



spec ref	*	dr	wcadmin	2006/09/11	projection	MM	size	A3	scale	1.000	
tolerance std	ISO 406 ISO 1101	eng	De-Feng, Qin	2012/03/07			ecn no	ELX-DG-010299-1			
surface	✓	chr	Terry Qiu	2012/03/15			rel level	Released			
		appr	Pei-Ming Zheng	2012/03/15	product family		rel level	Released			
linear	0.X ± 0.30 0.XX ± 0.13 0.XXX ± 0.05	www.fci.com	FCj	title	RIGHR ANGLE TYPE, 20POS. EDGE CARD CONNECTOR		dwg no	10056847		rev	G
angular	0° ± 3°	cat. no.			Product - Customer Drw		sheet	6 of 6			



Copyright FCI.