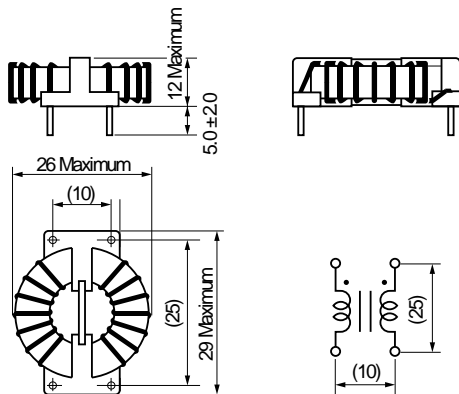


**KEMET Part Number: SC-02-20JS**  
(UALSC0220JS000)

Choke, SC-JS, 2000 uH



**Dimensions**

|                  |            |
|------------------|------------|
| <b>L</b>         | 26mm MAX   |
| <b>T</b>         | 29mm MAX   |
| <b>H</b>         | 12mm MAX   |
| <b>S</b>         | 25mm MAX   |
| <b>S1</b>        | 10mm NOM   |
| <b>LL</b>        | 5mm +/-2mm |
| <b>Wire Size</b> | 0.5mm      |

**Packaging Specifications**

|                |     |
|----------------|-----|
| <b>Weight:</b> | 9 g |
|----------------|-----|

**General Information**

|                       |  |
|-----------------------|--|
| <b>Style:</b>         | Through-Hole Toroid                                |
| <b>Series:</b>        | SC-JS  |
| <b>Description:</b>   | Low Profile Common Mode Filter With Base Plate     |
| <b>RoHS:</b>          | Yes  |
| <b>Miscellaneous:</b> | Inductance Measurement Condition: 1kHz 0.3mA KC547 |
| <b>Notes:</b>         | Lead Spacing (S/S1) Are For Reference Only.        |

**Specifications**

|                               |           |
|-------------------------------|-----------|
| <b>Inductance:</b>            | 2000 uH   |
| <b>Rated Temperature:</b>     | 105C      |
| <b>Current:</b>               | 2 Amps    |
| <b>Voltage AC:</b>            | 250 VAC   |
| <b>DC Resistance:</b>         | 120 mOhms |
| <b>Insulation Resistance:</b> | 100 MOhms |