

4

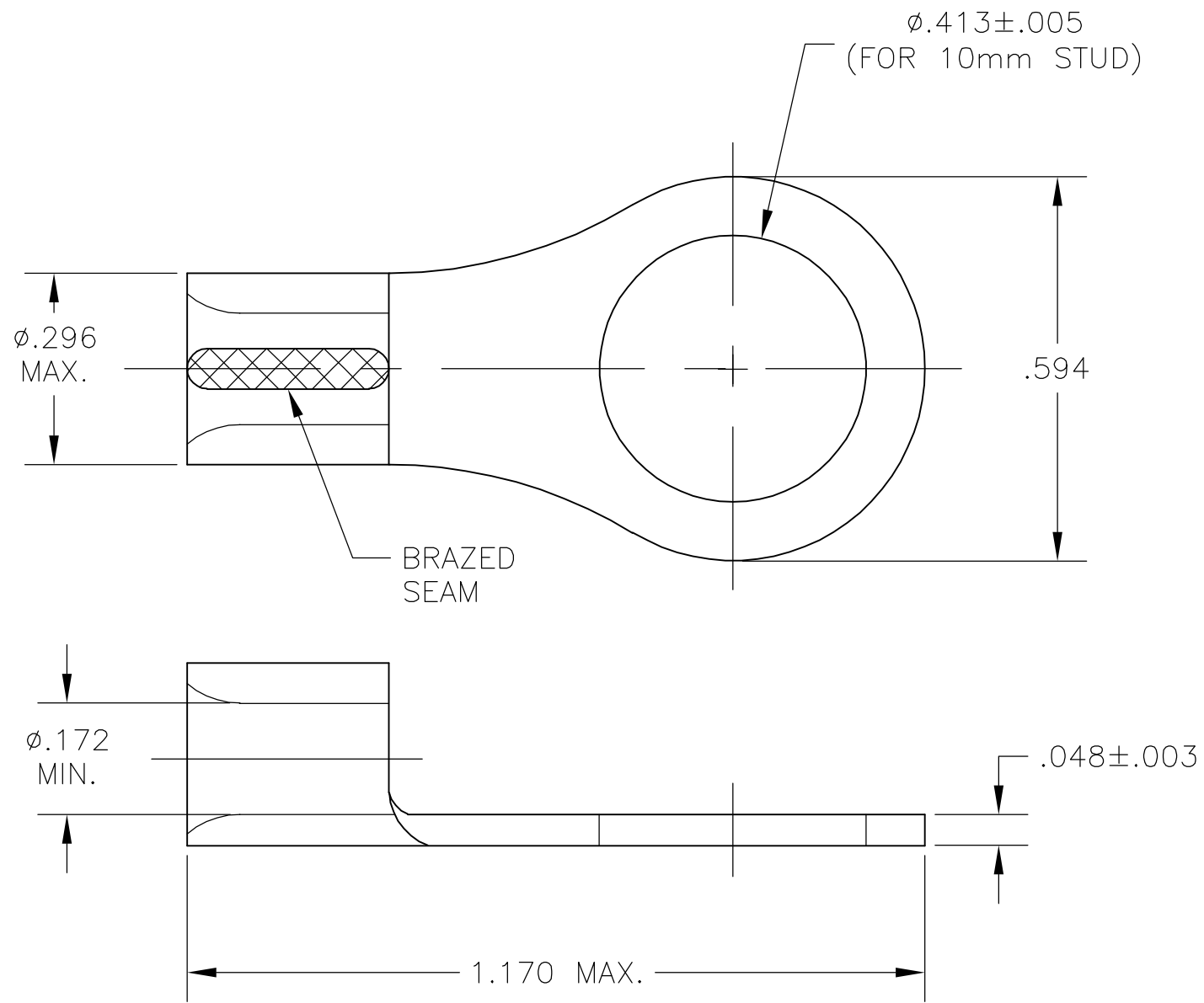
3

2

1

THIS DRAWING IS UNPUBLISHED. RELEASED FOR PUBLICATION
 © COPYRIGHT - BY TYCO ELECTRONICS CORPORATION. ALL RIGHTS RESERVED.

LOC	DIST	REVISIONS					
G	86	P	LTR	DESCRIPTION	DATE	DWN	APVD
		A		DRAWN	10MAR06	JR	TM



1 WIRE SIZE IS #8 AWG

160056
 PART NO.

THIS DRAWING IS A CONTROLLED DOCUMENT.		DWN JR RUTH 10MAR06	Tyco Electronics Corporation Harrisburg, PA 17105-3608	
DIMENSIONS: INCHES		CHK JEFF RUTH 10MAR06		
		APVD T. MICHIELUTTI 10MAR06	NAME TERMINAL RING TONGUE SOLISTRAND	
TOLERANCES UNLESS OTHERWISE SPECIFIED:		PRODUCT SPEC	RESTRICTED TO	
0 PLC ± -		APPLICATION SPEC	SIZE A3	CAGE CODE 00779
1 PLC ± -		WEIGHT	DRAWING NO C-160056	SCALE 4:1
2 PLC ± -		CUSTOMER DRAWING	SHEET 1 OF 1	REV A
3 PLC ± .008				
4 PLC ± -				
ANGLES ± -				
MATERIAL COPPER, ANNEALED	FINISH TIN PLATE			