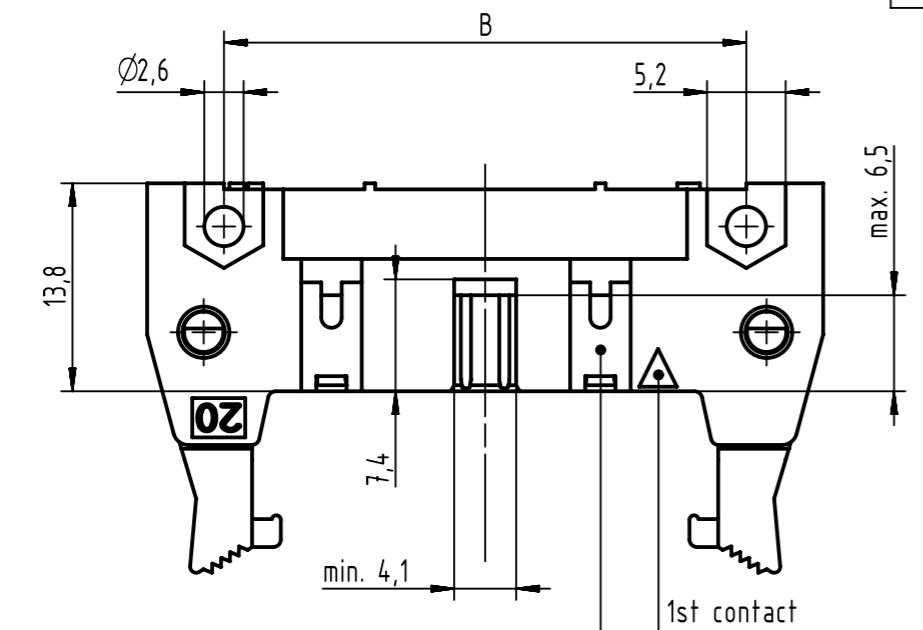
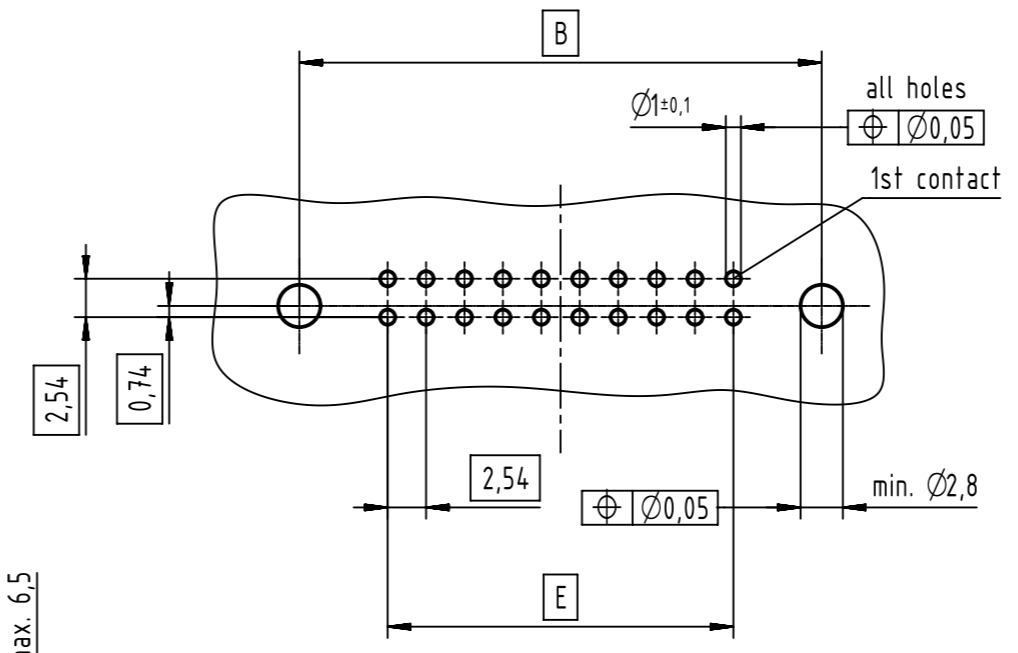
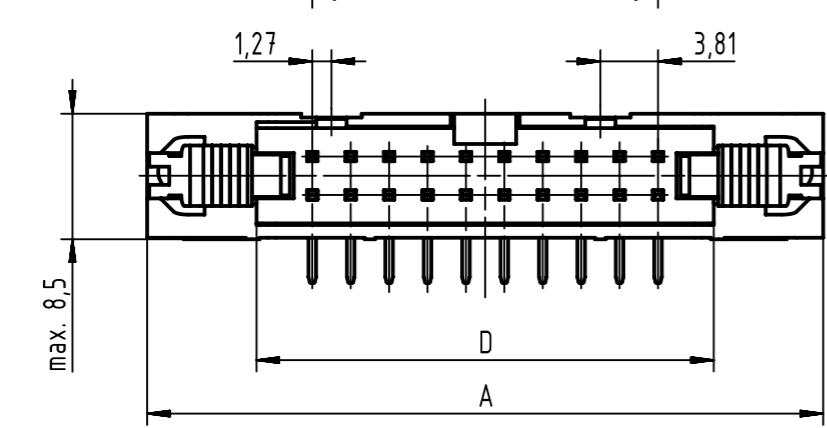
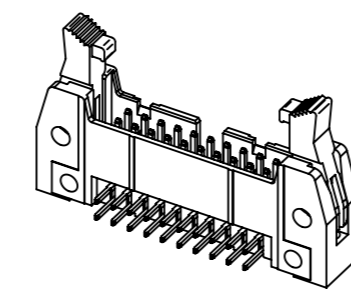


PCB layout
view component side
thickness 1,6



see table for coding,
feature arrangement and style



coding style table	
	style A: for connectors 6-pole
	style B: for connectors from 10 to 14-pole
	style C: for connectors from 16 to 64-pole

further information
see: DS 09181200001

full range of P/N's and
dimensions shown on page 2/2

	All rights reserved Department EC PD - DE	Created by STORCK	Inspected by TADJE	Standardisation KOHLER	Date 2015-12-21	State Final Release	Ref. Sub. TB 09185XXX903/903800 / 500000087654 / 2015-04-08
	HARTING Electronics GmbH D-32339 Espelkamp	Title SEK 18 male standard conn angled with long lever 2.9		Type TB	Number 09185XXX903	Doc-Key / ECM-Nr. 100154464/UGD/016/A 500000094595	Rev. A Page 1/2

1	2		3		4		5		6		7		8	
A	performance level						dimensions						A	
	no. of contacts	PL3	PL2	S4	insulator colour	A max.	B	D	E		G	B		
		part number	part number	part number		A max.	B	D	E	G				
B	06	09 18 506 7903	09 18 506 6903	09 18 506 5903	grey	27,2	16,76	12,45	2,54 x 2 = 5,08		40,3	C		
	10	09 18 510 7903	09 18 510 6903	09 18 510 5903		32,3	21,84	17,53	2,54 x 4 = 10,16		45,4			
	14	09 18 514 7903	09 18 514 6903	09 18 514 5903		37,4	26,92	22,61	2,54 x 6 = 15,24		50,4			
	16	09 18 516 7903	09 18 516 6903	09 18 516 5903		39,9	29,46	25,15	2,54 x 7 = 17,78		53,0			
	20	09 18 520 7903	09 18 520 6903	09 18 520 5903		45,0	34,54	30,23	2,54 x 9 = 22,86		58,1			
	24	09 18 524 7903	09 18 524 6903	09 18 524 5903		50,1	39,62	35,91	2,54 x 11 = 27,94		63,2			
	26	09 18 526 7903	09 18 526 6903	09 18 526 5903		52,6	42,16	37,85	2,54 x 12 = 30,48		65,7			
	30	09 18 530 7903	09 18 530 6903	09 18 530 5903		58,0	47,24	43,83	2,54 x 14 = 35,56		68,6			
	34	09 18 534 7903	09 18 534 6903	09 18 534 5903		62,8	52,32	48,01	2,54 x 16 = 40,64		75,8			
	40	09 18 540 7903	09 18 540 6903	09 18 540 5903		70,4	59,94	55,63	2,54 x 19 = 48,26		83,5			
	50	09 18 550 7903	09 18 550 6903	09 18 550 5903		83,1	72,64	68,33	2,54 x 24 = 60,96		96,2			
	60	09 18 560 7903	09 18 560 6903	09 18 560 5903		95,8	85,34	81,03	2,54 x 29 = 73,66		108,9			
C	64	09 18 564 7903	09 18 564 6903	09 18 564 5903	100,9	90,42	86,11	2,54 x 31 = 78,74		113,9	D			
	06	09 18 506 7903 001	09 18 506 6903 001	09 18 506 5903 001	black	27,2	16,76	12,45	2,54 x 2 = 5,08			40,3		
	10	09 18 510 7903 001	09 18 510 6903 001	09 18 510 5903 001		32,3	21,84	17,53	2,54 x 4 = 10,16			45,4		
	14	09 18 514 7903 001	09 18 514 6903 001	09 18 514 5903 001		37,4	26,92	22,61	2,54 x 6 = 15,24			50,4		
	16	09 18 516 7903 001	09 18 516 6903 001	09 18 516 5903 001		39,9	29,46	25,15	2,54 x 7 = 17,78			53,0		
	20	09 18 520 7903 001	09 18 520 6903 001	09 18 520 5903 001		45,0	34,54	30,23	2,54 x 9 = 22,86			58,1		
	24	09 18 524 7903 001	09 18 524 6903 001	09 18 524 5903 001		50,1	39,62	35,91	2,54 x 11 = 27,94			63,2		
	26	09 18 526 7903 001	09 18 526 6903 001	09 18 526 5903 001		52,6	42,16	37,85	2,54 x 12 = 30,48			65,7		
	30	09 18 530 7903 001	09 18 530 6903 001	09 18 530 5903 001		58,0	47,24	43,83	2,54 x 14 = 35,56			68,6		
	34	09 18 534 7903 001	09 18 534 6903 001	09 18 534 5903 001		62,8	52,32	48,01	2,54 x 16 = 40,64			75,8		
	40	09 18 540 7903 001	09 18 540 6903 001	09 18 540 5903 001		70,4	59,94	55,63	2,54 x 19 = 48,26			83,5		
	50	09 18 550 7903 001	09 18 550 6903 001	09 18 550 5903 001		83,1	72,64	68,33	2,54 x 24 = 60,96			96,2		
60	09 18 560 7903 001	09 18 560 6903 001	09 18 560 5903 001	95,8		85,34	81,03	2,54 x 29 = 73,66		108,9				
D	64	09 18 564 7903 001	09 18 564 6903 001	09 18 564 5903 001	100,9	90,42	86,11	2,54 x 31 = 78,74		113,9	E			
	06	09 18 506 7903 800	09 18 506 6903 800	09 18 506 5903 800	grey without printing	27,2	16,76	12,45	2,54 x 2 = 5,08			40,3		
	10	09 18 510 7903 800	09 18 510 6903 800	09 18 510 5903 800		32,3	21,84	17,53	2,54 x 4 = 10,16			45,4		
	14	09 18 514 7903 800	09 18 514 6903 800	09 18 514 5903 800		37,4	26,92	22,61	2,54 x 6 = 15,24			50,4		
	16	09 18 516 7903 800	09 18 516 6903 800	09 18 516 5903 800		39,9	29,46	25,15	2,54 x 7 = 17,78			53,0		
	20	09 18 520 7903 800	09 18 520 6903 800	09 18 520 5903 800		45,0	34,54	30,23	2,54 x 9 = 22,86			58,1		
	24	09 18 524 7903 800	09 18 524 6903 800	09 18 524 5903 800		50,1	39,62	35,91	2,54 x 11 = 27,94			63,2		
	26	09 18 526 7903 800	09 18 526 6903 800	09 18 526 5903 800		52,6	42,16	37,85	2,54 x 12 = 30,48			65,7		
	30	09 18 530 7903 800	09 18 530 6903 800	09 18 530 5903 800		58,0	47,24	43,83	2,54 x 14 = 35,56			68,6		
	34	09 18 534 7903 800	09 18 534 6903 800	09 18 534 5903 800		62,8	52,32	48,01	2,54 x 16 = 40,64			75,8		
	40	09 18 540 7903 800	09 18 540 6903 800	09 18 540 5903 800		70,4	59,94	55,63	2,54 x 19 = 48,26			83,5		
	50	09 18 550 7903 800	09 18 550 6903 800	09 18 550 5903 800		83,1	72,64	68,33	2,54 x 24 = 60,96			96,2		
60	09 18 560 7903 800	09 18 560 6903 800	09 18 560 5903 800	95,8		85,34	81,03	2,54 x 29 = 73,66		108,9				
E	64	09 18 564 7903 800	09 18 564 6903 800	09 18 564 5903 800	100,9	90,42	86,11	2,54 x 31 = 78,74		113,9	F			

	All rights reserved	Created by	Inspected by	Standardisation	Date	State	
	Department EC PD - DE	STORCK	TADJE	KOHLER	2015-12-21	Final Release	
HARTING Electronics GmbH		Title				Doc-Key / ECM-Nr.	
D-32339 Espelkamp		SEK 18 male standard conn angled with long lever 2.9				100154464/UGD/016/A 50000094595	
		Type	Number		Rev.	Page	
		TB	09185XXX903		A	2/2	