

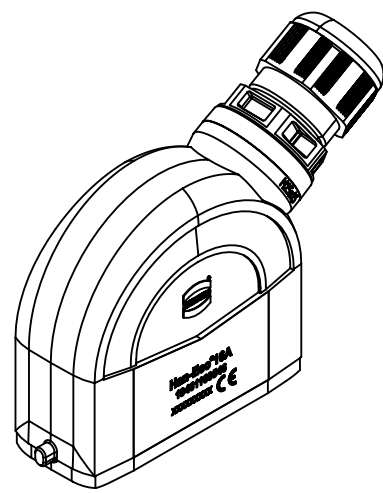
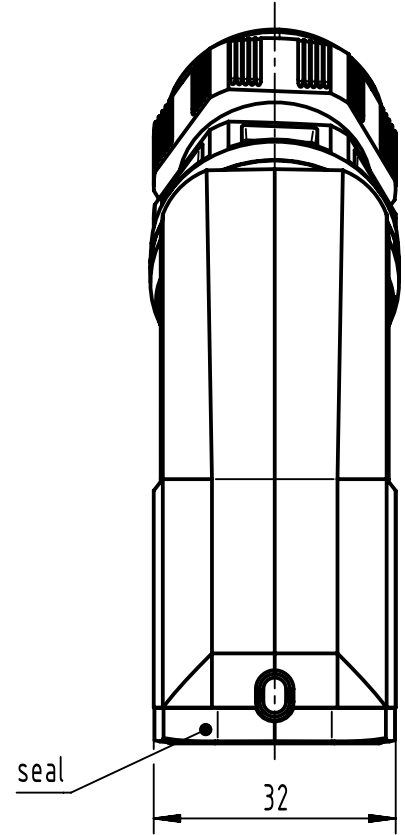
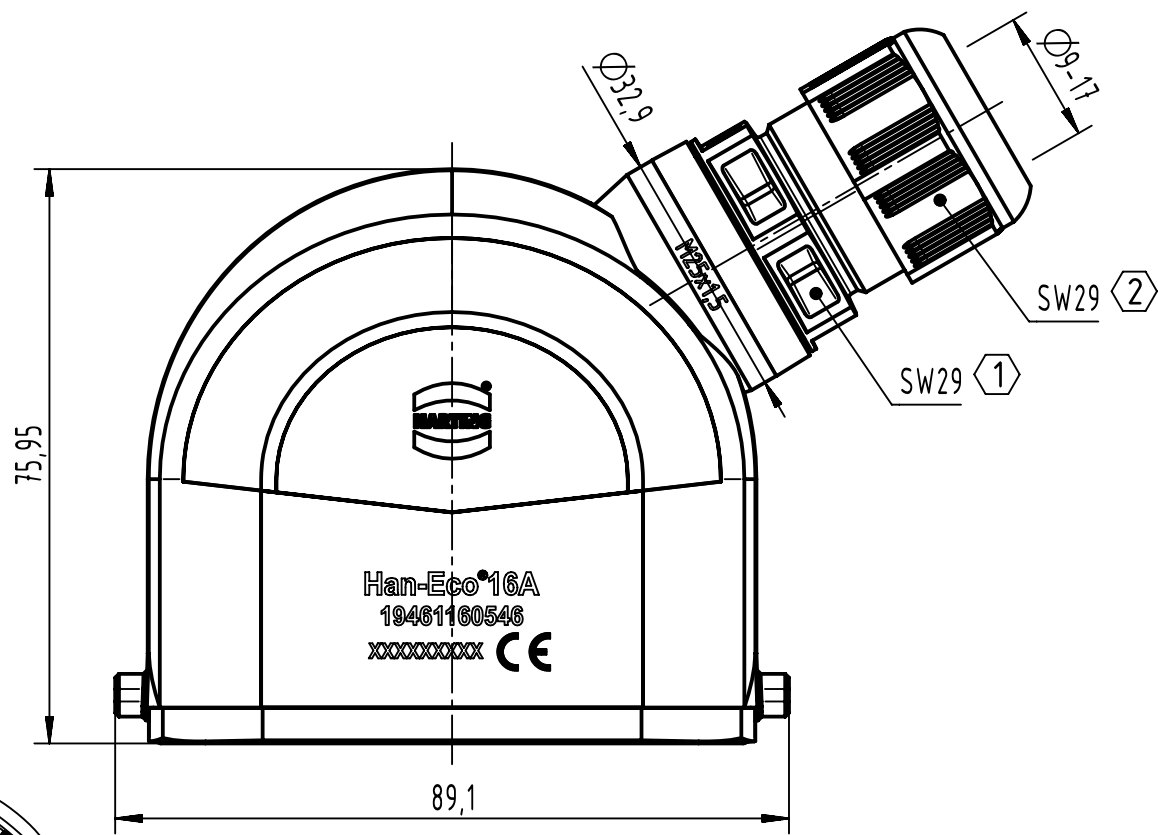
1 2 3 4 5 6

A

B


C

D



① tightening torque max. 10Nm

② tightening torque max. 4Nm

	All Dimensions in mm Original Size DIN A4		Scale 1:1	Free size tol.		Ref.
	All rights reserved Department EL PD		Created by 102700	Inspected by SUNDERMEIER	Standardisation	Sub.
HARTING D-32339 Espelkamp			Title Han-Eco 16A-HSE-M25 w. cable gl.			Date 2021-08-12
			Number 19 46 116 0546		State Final Release	Doc-Key / ECM-Nr. 100602521/UGD/001/C 500000200802
			Type TB			Rev. C Page 1/1