

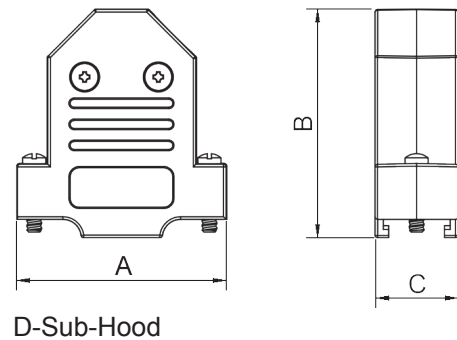
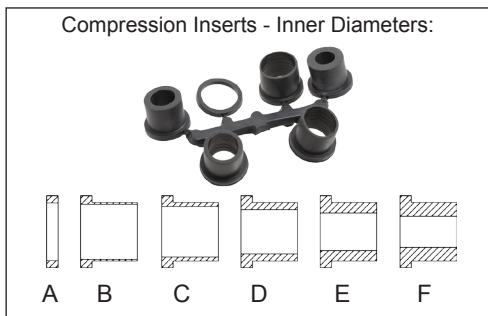
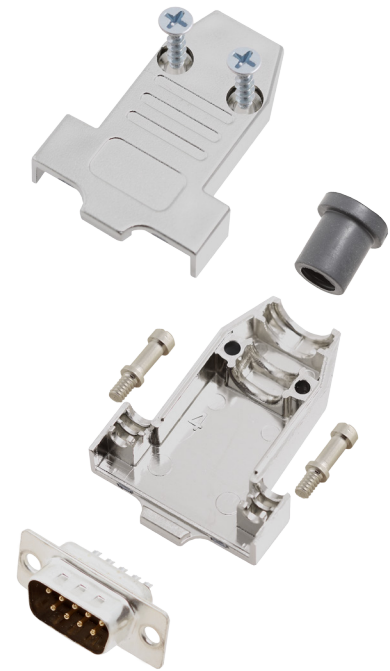
TECHNICAL SPECIFICATIONS

D-Sub Hood:

Material: UL Recognised Plastic Material
 Plating: Nickel over Copper
 Operating Temperature: -55°C to +110°C
 Cable Entry: Top Entry
 Thumbscrews: UNC 4-40 (Standard)
 Cable O.D: Up to 13mm

Male D-Sub Solder Cup:

Insulator: PBT, Black, UL94 V-0
 Shell: Steel, Tin Plated
 Contact pins: Copper Alloy
 Stamped & Formed Pins: Class 3, 100 inserts min.
 Machined Contact Pins: Class 1, 500 inserts min.
 Contact Plating: Selective Gold over Nickel
 Operating Temperature: -55°C to +105°C
 Withstanding voltage: 1000V for 1 minute
 Insulator resistance: 1000MΩ min
 Insulator resistance: 1000MΩ min



Size	A	B	C	D	E	F
9/15	8,10	8,00	7,25	6,50	5,30	-
25	11,40	10,40	9,40	7,60	5,80	-

Size DTNT	Dim A	Dim B	Dim C
9-way	31,5	43,5	15,8
15-way	39,9	43,5	15,8
25-way	54,0	47,5	15,8

Ordering information:

Class 3 D-Sub Connector Kits (100 inserts min.)

Size:	P/N - Kitted:	Product Code - MALE Conn. Kit
9-way	6355-0070-01	DTNT09-M-DBP-K
15-way	6355-0070-02	DTNT15-M-DBP-K
25-way	6355-0070-03	DTNT25-M-DBP-K

Ordering information:

Class 1 D-Sub Connector Kits (500 inserts min.)

Size:	P/N - Kitted:	Product Code - MALE Conn. Kit
9-way	6355-0070-11	DTNT09-M-DMP-K
15-way	6355-0070-12	DTNT15-M-DMP-K
25-way	6355-0070-13	DTNT25-M-DMP-K