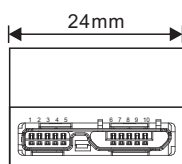
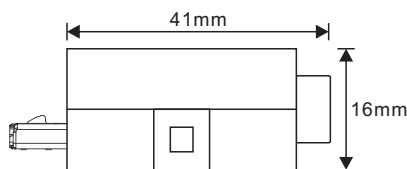
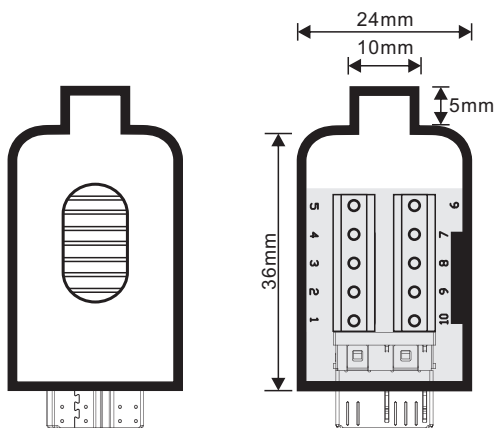


Micro USB 3.0 Male Connector modular

Item No. 2001C212



	1	2	3	4	5
	VBUS	D-	D+	GND	MicB_SSTX-
	6	7	8	9	10
	MicB_SSTX+	GND_DRAIN	MicB_SSRX-	MicB_SSRX+	Shield

Note: Tx and Rx are defined from the device perspective



Screwdriver Included



Material:

Housing: PP

Insulator: PBT

Connector shell: SPCC with plated Ni 40μ min.

Contact: Brass with plated Au 1μ

Technical:

Voltage rating: 100V max.

Current rating: 1.8A max.

Contact resistance: 50mΩ max.

Insulation resistance: 1000MΩ min.

Dielectric withstanding voltage: 500V/AC(R.M.S)

Operation temperature: -40 ~85°C