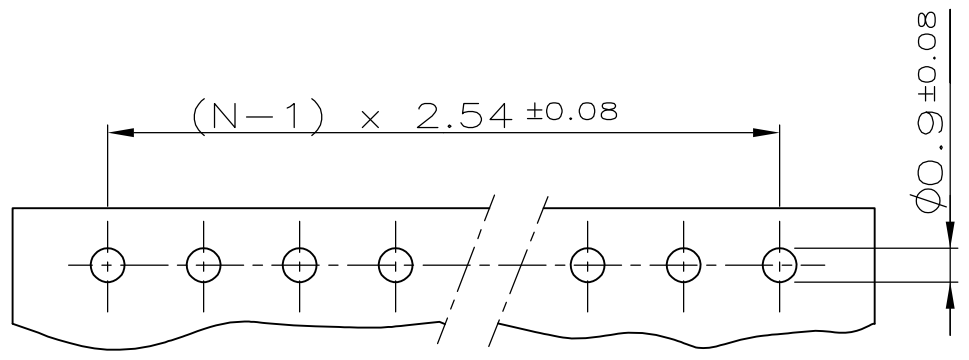
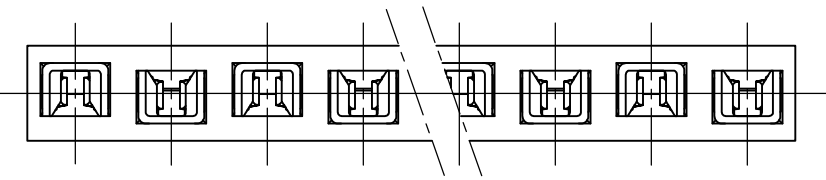
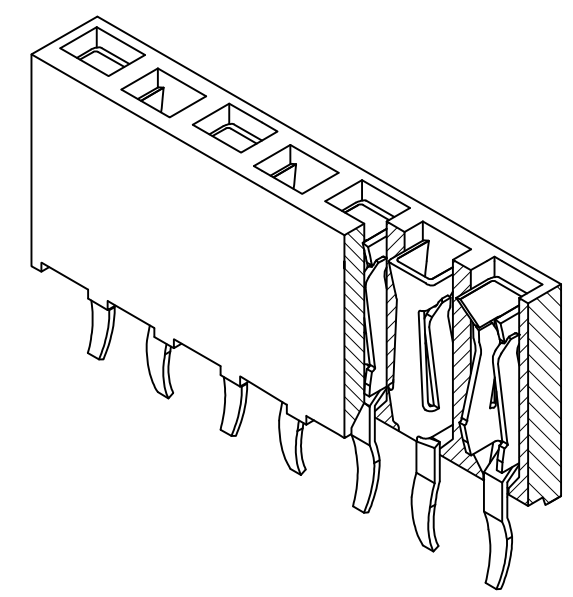
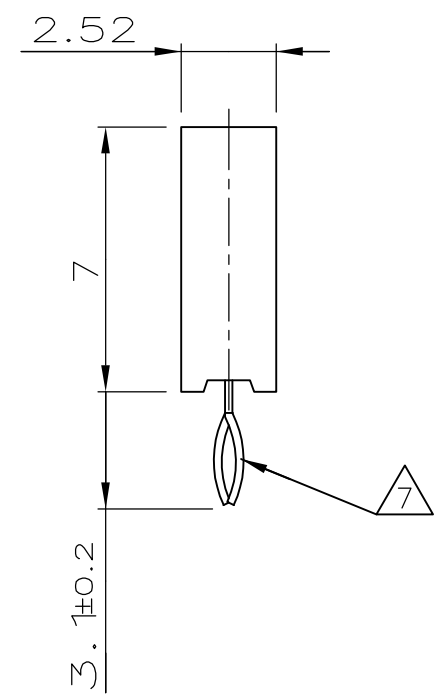
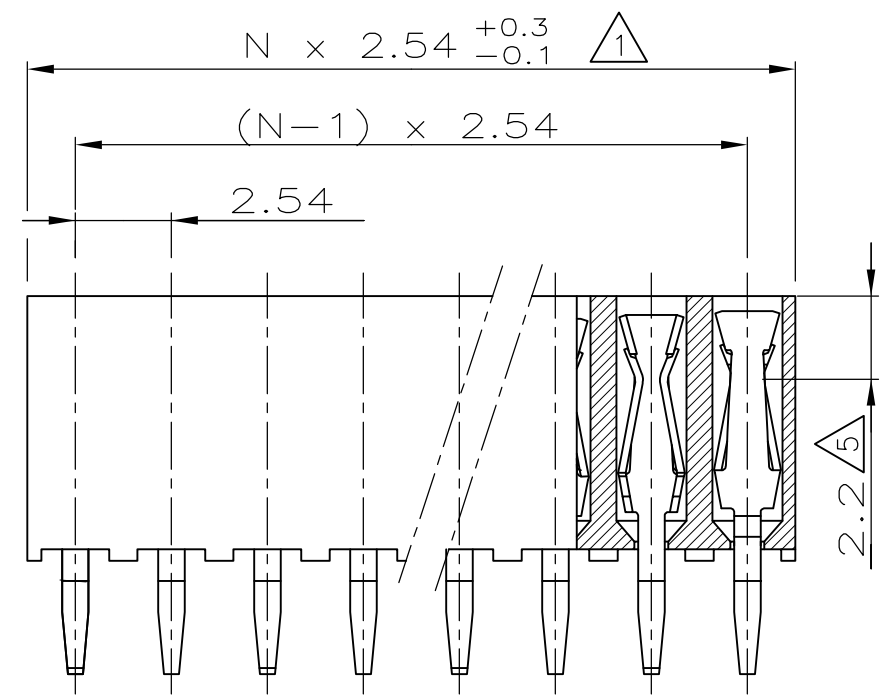


© COPYRIGHT - By -	ALL RIGHTS RESERVED.								
			P	LTR	DESCRIPTION	DATE	DWN	APVD	
				C2	REVISED PER ECO-11-005150	21MAR11	RK	HMR	

NOTES:

- 1. TO DETERMINE DIMENSIONS TAKE N = NR. OF POS.  
FOR EXAMPLE: 10 POS.: N x 2,54 = 25,4 mm.  
FOR ORDERNR. USE BASIC NR. + NR. OF POS.  
FOR EXAMPLE: 2 POS.= 215 297-2 (SHORTEST VERSION)  
36 POS.= 3-215 297-6 (LONGEST VERSION)
- 2. HOUSING MATERIAL: GREEN GLASSFILLED POLYESTER, UL 94V-0  
CONTACT MATERIAL: PHOSPHORBRONZE.
- 3. PLATING: UNDERCOATING: 1,3µm Ni.  
AT CONT.PLACE: 0,8µm Au.  
AT SOLDER-TYNES: MIN. 2,5µm Sn
- 4. MATES WITH 0,63 SQUARE/ROUND MODU POSTS.
- 5. CONTACT-POINT.
- 6. RECOMMENDED P.C.BOARD-THICKNESS: 1,6.
- 7. RETENTION FEATURE.
- 8. HV100 CONNECTOR PACKED IN ANTISTATIC BLISTER



P.C.-BOARD HOLE-PATTERN

VERWENDET FÜR E 92-9803	SEE NOTES FINISH	SEE NOTES MATERIAL	SEE NOTES PARTNUMBER
----------------------------	---------------------	-----------------------	-------------------------

THIS DRAWING IS A CONTROLLED DOCUMENT.		DWN R.VISSER 08.05.87	<b>TE Connectivity</b>												
DIMENSIONS: mm		CHK W.SIMONS			NAME										
TOLERANCES UNLESS OTHERWISE SPECIFIED:		APVD L.v.SOEST			HV 100 VERTICAL CONNECTOR SINGLE ROW, 7,0mm HEIGHT, TOP ENTRY, GOLD, MAX. 36 POSITIONS.										
<table border="1"> <tr><td>0 PLC</td><td>± -</td></tr> <tr><td>1 PLC</td><td>± -</td></tr> <tr><td>2 PLC</td><td>± 0.1</td></tr> <tr><td>3 PLC</td><td>± -</td></tr> <tr><td>4 PLC</td><td>± -</td></tr> <tr><td>ANGLES</td><td>± -</td></tr> </table>		0 PLC			± -	1 PLC	± -	2 PLC	± 0.1	3 PLC	± -	4 PLC	± -	ANGLES	± -
0 PLC	± -														
1 PLC	± -														
2 PLC	± 0.1														
3 PLC	± -														
4 PLC	± -														
ANGLES	± -														
MATERIAL		APPLICATION SPEC	SIZE	CAGE CODE	DRAWING NO	REV									
-		WEIGHT	A3	00779	C-215297	C2									
CUSTOMER DRAWING			SCALE	SHEET	OF										
			5:1	1	1										