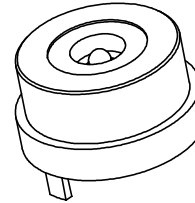
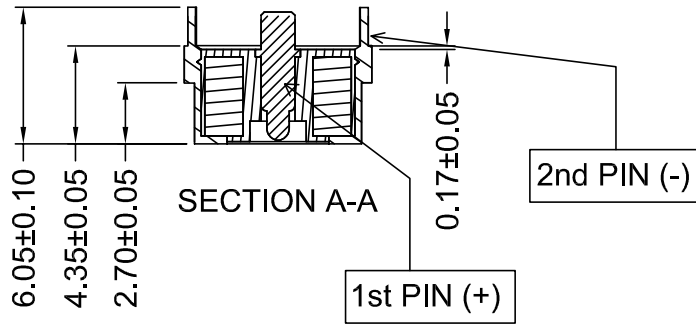


| | |
|--|-------|
| TOLERANCE UNLESS OTHERWISE SPECIFIED | |
| .XX | ±0.15 |

THIS IS A C.A.D. GENERATED DRAWING
DO NOT MAKE MANUAL REVISIONS TO MASTER.

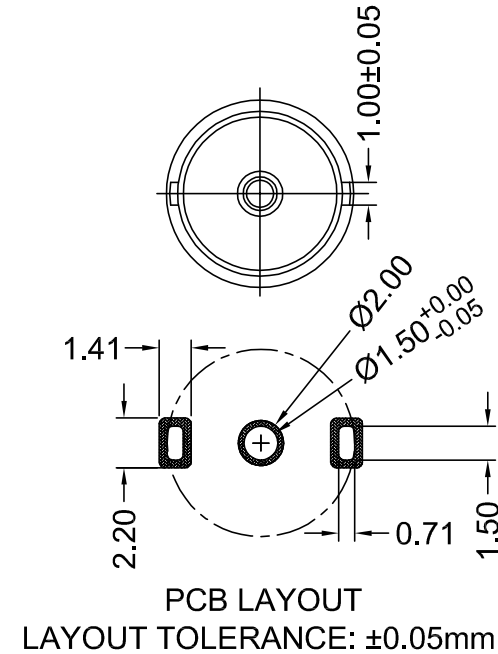
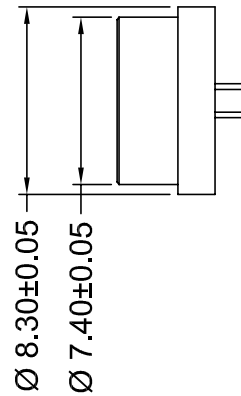
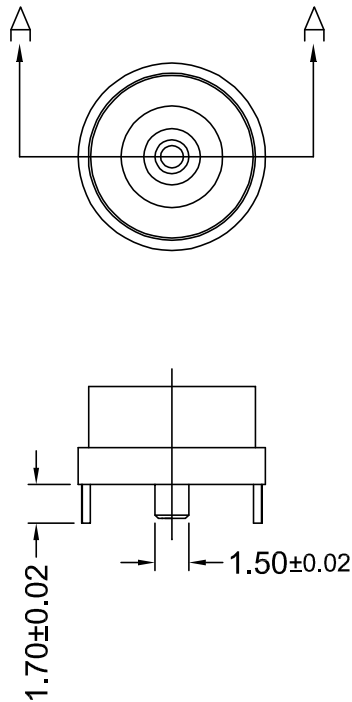



| | |
|--------------|---|
| ISSUE NUMBER | ① |
| ORIGINAL | |



SPECIFICATION:

CONTACT: BRASS
 PLATING: POGO PIN: 5μ" Au OVER 50-80μ" Ni
 INSULATION: PA46, BLACK
 PROBE ELASTICITY: 60±20gF
 MAGNET: N52 PULL 3-3.5N
 VOLTAGE RATING: 5V
 CURRENT RATING: 2A MAX
 INSULATION RESISTANCE: 100MOHMS MIN
 DIELECTRIC WITHSTANDING VOLTAGE: 100V AT 60HZ
 CONTACT RESISTANCE: 30mOHMS MAX BEFORE TEST AND 60mOHMS
 MAX AFTER TEST AT POGO PIN WORKING STROKE
 RECOMMENDED WORKING STROKE & FORCE: 0.8mm 60±15gF
 MECHANICAL LIFE: 0.8mm (MECHANICAL LIFE): 30,000 CYCLES MIN
 WORKING TEMPERATURE RANGE: -30°C TO + 85°C



| | | | |
|---|--|-------------------------------------|---------------------------------|
| POGO CONNECTOR, 2 POS, MALE | | ACAD REFERENCE NO.: 685-00221200111 | UNIT: MM |
| | | DRAWN: E.S | DATE: JUN.21/2022 |
|  EDAC INC TORONTO, ONTARIO CANADA YOUR CONNECTION TO QUALITY & SERVICE | | CHECKED: J.L. | DATE: AUG.04/2022 |
| | | SCALE: (IN C.A.D. 1:1) | SHEET 1 OF 1 |
| THESE DRAWINGS AND SPECIFICATIONS ARE THE PROPERTY OF EDAC INC., AND SHALL NOT BE REPRODUCED, OR COPIED OR USED AS THE BASIS FOR THE MANUFACTURE OR SALE OF APPARATUS WITHOUT WRITTEN PERMISSION. | | | DRAWING NUMBER: 685-00221200111 |
| | | | PART NUMBER: 685-00221200111 |
| | | | ISSUE 1 |



THIS SERIES FULLY CONFORMS TO THE EUROPEAN UNION DIRECTIVES 2011/65/EU FOR RoHS COMPLIANCY.