



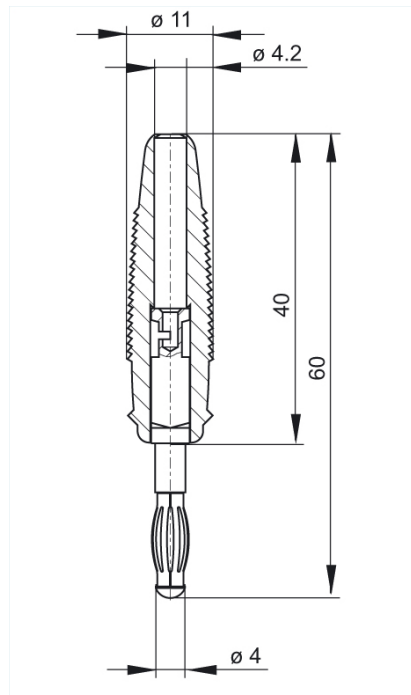
## LAS 30 schwarz/black

Industrial Connectors:Measuring and Testing Equipment:Plugs:4 mm system

### Product description

Description	Laminated, shatter-proof plug with caged spring and tapering sleeve providing protection against kinking. Soldered connections up to 1.5mm <sup>2</sup> , cable diameters up to 4.2mm. Nickel-plated brass contact, nickel-plated copper beryllium contact spring.
Type	LAS 30 schwarz/black
Order No.	972 518-100
System	4 mm system
Housing Color	black
Color types	●●
Other standard types	red color, order no. 972 518-101

### Drawing



### Technical data

Pin dimensions	4 mm with laminated spring
Type of contact	pin (spring-loaded)
Type of termination	solder
Rated voltage	DC 60 V
Rated current	32 A
Contact resistance	3 mOhm

### Material

Contact material	copper beryllium
Contact surface material	nickel-plated
Housing material	PVC-P
<b>Environmental conditions</b>	
Temperature range	-25 °C to +70 °C
<b>Inflammability class</b>	
Housing	94 V-2