

Insert type Relief, direct acting and anti-cavitation function

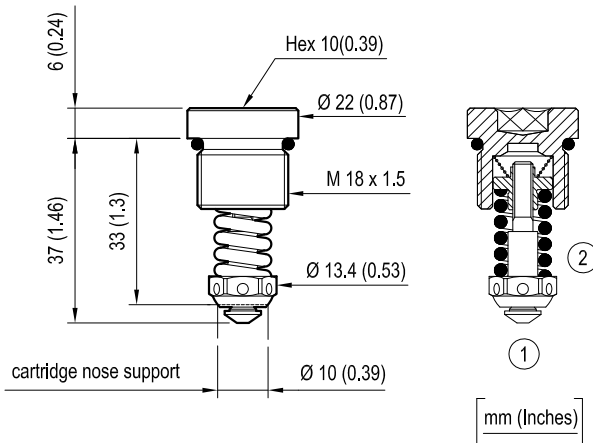
Special cavity, 730

VMA1.050

0T.M4.06 - X - 99 - Z - W



Dimensions

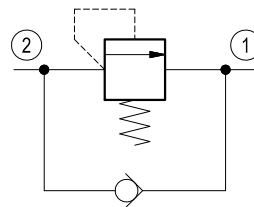


Description

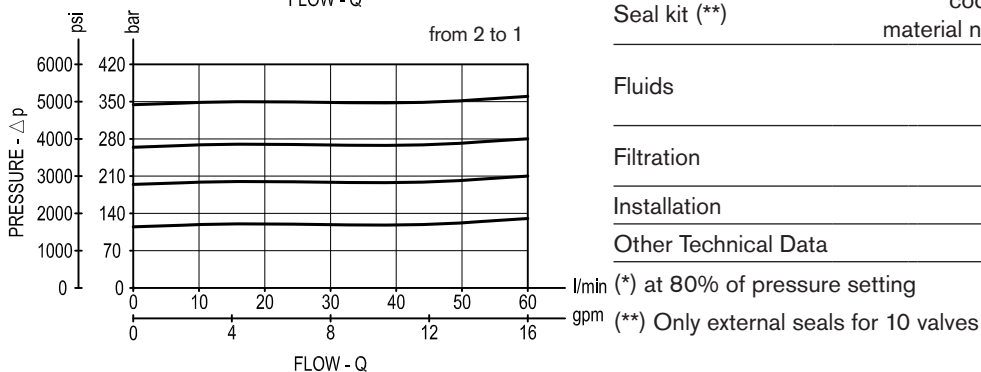
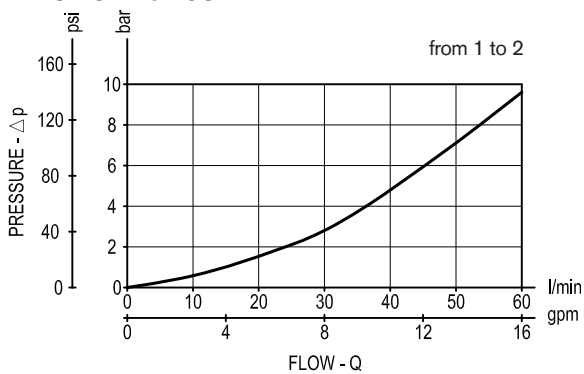
Flow is free from 1 to 2 until pressure increases to meet the selected valve setting, allowing relief flow through port 1 to tank. This valve combine the typical function of shock relief valve (direct acting) and anticavitation function through the check valve. The direct action and the specific design allow a very fast opening and closing.

Note: to obtain a good leak proof performance coin the cavity seat using a loose valve seat (P/N 0F.S0.005) as a coining tool.

Impact energy: 4.5 ± 2 Nm.



Performance



Technical data

Max. operating pressure	bar (psi)	380 (5500)
Max. flow	l/min. (gpm)	60 (16)
Max. internal leakage (*)	drops/min.	15
Fluid temperature range	°C (°F)	-30 to 100 (-22 to 212)
Installation torque	Nm (ft-lbs)	35-40 (26-30)
Weight	kg (lbs)	0.05 (0.11)
Special cavity		730 see data sheet RE 18325-75
Seal kit (**)	code material no.	RG0730020000100 R931002406
Fluids		Mineral-based or synthetics with lubricating properties at viscosities of 10 to 500 mm ² /s (cSt)
Filtration		Nominal value max. 10µm (NAS 8) ISO 4406 19/17/14
Installation		No restrictions
Other Technical Data		See data sheet RE 18350-50

l/min (*) at 80% of pressure setting

gpm (**) Only external seals for 10 valves

Ordering code

OT.M4.06	X	99	Z	W	*
-----------------	----------	-----------	----------	----------	----------

Insert type - Relief, direct acting
and anti-cavitation function

Adjustments

= 00 Fixed setting

Special cavity, 730

Series 0/A to L

unchanged performances and dimensions

SPRINGS	
Adj. pressure range bar (psi)	
20-70 (290-1000)	= 05
70-120 (1000-1750)	= 10
120-200 (1750-2900)	= 20
200-270 (2900-3900)	= 27
270-320 (3900-4700)	= 32
320-380 (4700-5500)	= 35

Std. SETTING bar (psi) Q=5 l/min (1.3 gpm)

	for Z=05	for Z=10	for Z=20	for Z=27	for Z=32	for Z=35
= 02	20 (290)	80 (1160)	130 (1890)	210 (3050)	280 (4060)	330 (4790)
= 03	30 (440)	90 (1300)	140 (2030)	220 (3190)	290 (4210)	340 (4930)
= 04	40 (580)	100 (1450)	150 (2180)	230 (3340)	300 (4350)	350 (5080)
= 05	50 (730)	110 (1600)	160 (2320)	240 (3480)	310 (4500)	360 (5220)
= 06	60 (870)	120 (1750)	170 (2470)	250 (3630)	320 (4640)	370 (5370)
= 07	70 (1020)		180 (2610)	260 (3770)		380 (5510)
= 08			190 (2760)	270 (3920)		
= 09			200 (2900)			

Type	Material number
OTM406009905020	R931002131
OTM406009905030	R931002132
OTM406009905040	R931000065
OTM406009905050	R931002133
OTM406009905060	R931002134
OTM406009905070	R931002091
OTM406009910020	R931002135
OTM406009910030	R931002136
OTM406009910040	R931002137
OTM406009910050	R931002138
OTM406009910060	R931002139
OTM406009920020	R931002141
OTM406009920030	R931002142
OTM406009920040	R931002143
OTM406009920050	R901159032
OTM406009920060	R931002144
OTM406009920070	R931002145
OTM406009920080	R931002147
OTM406009920090	R931002148

Type	Material number
OTM406009927020	R931002150
OTM406009927030	R931002151
OTM406009927040	R931002153
OTM406009927050	R931002155
OTM406009927060	R931002156
OTM406009927070	R931002157
OTM406009927080	R931002158
OTM406009932020	R931002159
OTM406009932030	R931002160
OTM406009932040	R931002161
OTM406009932050	R901160150
OTM406009932060	R931002162
OTM406009935020	R931002163
OTM406009935030	R931002164
OTM406009935040	R931002165
OTM406009935050	R931002166
OTM406009935060	R931002167
OTM406009935070	R931000068