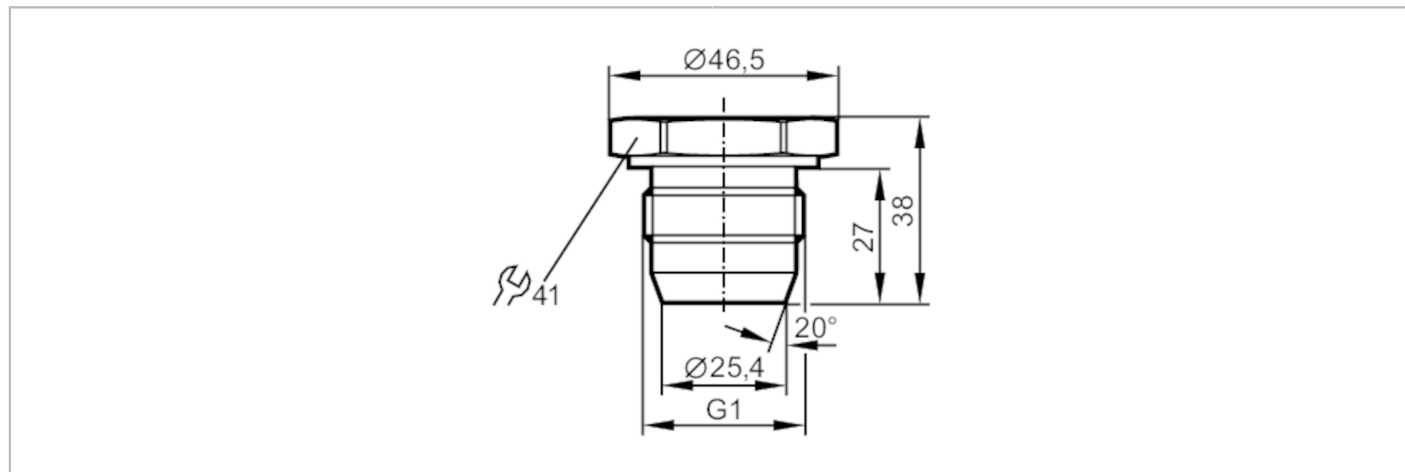


# E30070



## Cover plug for process connections

ADAPTER PLUG G1



Mechanical data	
Weight [g]	260.5
Materials	stainless steel
Process connection	G 1
Surface characteristics Ra/Rz of the wetted parts	< 0.6 / -
Remarks	
Pack quantity	1 pcs.