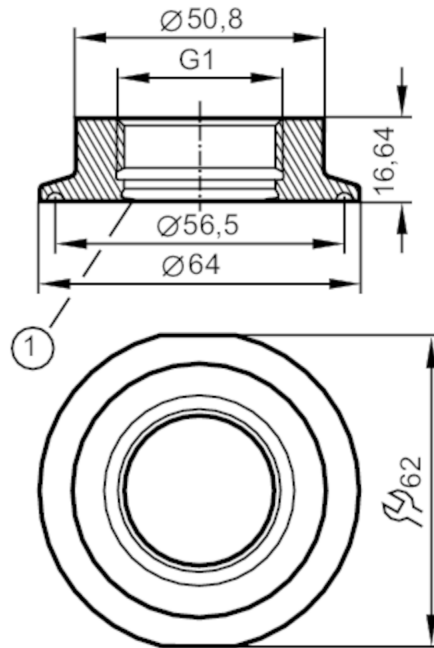


E33702



Process adapter Tri-Clamp

ADAPT IFM-CLAMP ISO2852 2"



1 sealing edge

CRN EC 1935/2004 FCM FDA

Application

Pressure rating	[bar]	16
MAWP (for applications according to CRN)	[bar]	16

Tests / approvals

Pressure Equipment Directive	A possible classification to PED depends on the application and has to be carried out by the user / operator.
Safety instructions	The compatibility between medium and product material has to be checked in all applications.

Mechanical data

Weight	[g]	231
Materials		stainless steel (1.4435 / 316L)
Sensor connection		G 1 external thread Aseptoflex Vario
Process connection		Clamp DN50 (2") DIN 32676 (ISO 2852)
Surface characteristics Ra/Rz of the wetted parts		0.4 / 4
Sealing		metal to metal
Hygienic equipment class to DIN 11866		H4

Remarks

Pack quantity		1 pcs.
---------------	--	--------