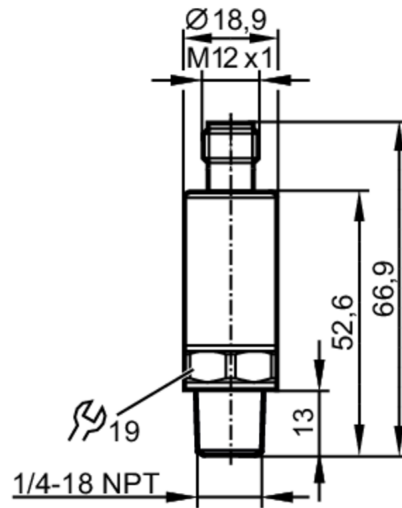


PV7600



Electronic pressure monitor

PV-400-SEN14-UFRVG/US/ I



Product characteristics

| | | | |
|--------------------|--|--------------|------------|
| Output signal | switching signal; IO-Link; (configurable) | | |
| Measuring range | 0...400 bar | 0...5800 psi | 0...40 MPa |
| Process connection | threaded connection 1/4 NPT external thread internal thread M5 | | |

Application

| | | | |
|--|-----------------------------|-----------|---------|
| Measuring element | metallic thin film cell | | |
| Application | for industrial applications | | |
| Media | liquids and gases | | |
| Medium temperature [°C] | -40...90 | | |
| Pressure rating | 1000 bar | 14500 psi | 100 MPa |
| Note on pressure rating | static | | |
| Min. bursting pressure | 1700 bar | 24655 psi | 170 MPa |
| Vacuum resistance [mbar] | -1000 | | |
| Type of pressure | relative pressure | | |
| MAWP (for applications according to CRN) [bar] | 840 | | |

Electrical data

| | | | |
|---------------------------------|-----------------|--|--|
| Operating voltage [V] | 18...30 DC | | |
| Current consumption [mA] | < 15 | | |
| Min. insulation resistance [MΩ] | 100; (500 V DC) | | |
| Protection class | III | | |
| Reverse polarity protection | yes | | |
| Power-on delay time [s] | < 0.3 | | |

Inputs / outputs

| | |
|------------------------------|------------------------------|
| Number of inputs and outputs | Number of digital outputs: 2 |
|------------------------------|------------------------------|



Electronic pressure monitor

PV-400-SEN14-UFRVG/US/ I

| Outputs | | | |
|---|------------------------|---|----------------|
| Total number of outputs | | 2 | |
| Output signal | | switching signal; IO-Link; (configurable) | |
| Electrical design | | PNP/NPN | |
| Number of digital outputs | | 2 | |
| Output function | | normally open / normally closed; (parameterisable) | |
| Max. voltage drop switching output DC | [V] | 2 | |
| Permanent current rating of switching output DC | [mA] | 100 | |
| Switching frequency DC | [Hz] | < 170 | |
| Short-circuit protection | | yes | |
| Type of short-circuit protection | | pulsed | |
| Overload protection | | yes | |
| Measuring/setting range | | | |
| Measuring range | | 0...400 bar | 0...5800 psi |
| Set point SP | | 4...400 bar | 58...5802 psi |
| Reset point rP | | 2...398 bar | 30...5773 psi |
| In steps of | | 0.2 bar | 1 psi |
| Factory setting | | SP1 = 100 bar | rP1 = 92 bar |
| | | SP2 = 300 bar | rP2 = 292 bar |
| | | dS1/dS2 = 0 ms | dr1/dr2 = 0 ms |
| | | coF = 0 % | P-n = PnP |
| | | | 0...40 MPa |
| | | | 0.4...40 MPa |
| | | | 0.2...39.8 MPa |
| | | | 0.02 MPa |
| | | | ou1 = Hno; |
| | | | ou2 = Hno; |
| | | | dAP= 60 ms |
| Accuracy / deviations | | | |
| Switch point accuracy | [% of the span] | < ± 0,5 (nach DIN EN 61298-2) | |
| Repeatability | [% of the span] | < ± 0,05; (with temperature fluctuations < 10 K) | |
| Characteristics deviation | [% of the span] | < ± 0,5 (nach DIN EN 61298-2); (incl. drift when overtightened, zero point and span error, non-linearity, hysteresis) | |
| Linearity deviation | [% of the span] | < ± 0,1 (BFSL) / < ± 0,2 (LS) | |
| Hysteresis deviation | [% of the span] | < ± 0,2 | |
| Long-term stability | [% of the span] | < ± 0,1; (per 6 months) | |
| Temperature coefficient zero point | [% of the span / 10 K] | < 0,1 (-25...90 °C) / < 0,2 (-40...-25 °C) | |
| Temperature coefficient span | [% of the span / 10 K] | < 0,1 (-25...90 °C) / < 0,2 (-40...-25 °C) | |
| Response times | | | |
| Response time | [ms] | < 3 | |
| Software / programming | | | |
| Parameter setting options | | hysteresis / window; normally open / normally closed; switching logic; switch-on/switch-off delay; Damping | |

PV7600



Electronic pressure monitor

PV-400-SEN14-UFRVG/US/ I

| Interfaces | |
|------------------------------|--|
| Communication interface | IO-Link |
| Transmission type | COM2 (38,4 kBaud) |
| IO-Link revision | 1.1 |
| SDCI standard | IEC 61131-9 |
| IO-Link device ID | 851 d / 00 03 53 h |
| Profiles | Smart Sensor: Process Data Variable; Device Identification, Device Diagnosis |
| SIO mode | yes |
| Required master port type | A |
| Process data analogue | 2 |
| Process data binary | 2 |
| Min. process cycle time [ms] | 5 |

| Operating conditions | |
|--------------------------|---------------|
| Ambient temperature [°C] | -40...90 |
| Storage temperature [°C] | -40...100 |
| Protection | IP 67; IP 69K |

| Tests / approvals | | |
|------------------------------|---|---------------------|
| EMC | DIN EN 61326-1 | |
| Shock resistance | DIN EN 60068-2-27 | 500 g (1 ms) |
| Vibration resistance | DIN EN 60068-2-6 | 20 g (10...2000 Hz) |
| MTTF [years] | 668 | |
| UL approval | UL Approval no. | J016 |
| Pressure Equipment Directive | Sound engineering practice; can be used for group 2 fluids; group 1 fluids on request | |

| Mechanical data | |
|-------------------------------|---|
| Weight [g] | 65 |
| Materials | 1.4542 (17-4 PH / 630); stainless steel (1.4404 / 316L); PEI |
| Materials (wetted parts) | stainless steel (1.4305 / 303); 1.4542 (17-4 PH / 630) |
| Min. pressure cycles | 60 million; (at 1.2 times nominal pressure) |
| Tightening torque [Nm] | 50; (recommended tightening torque; depends on lubrication, seal and pressure rating) |
| Process connection | threaded connection 1/4 NPT external thread internal threadM5 |
| Restrictor element integrated | yes |

| Remarks | |
|---------------|---|
| Remarks | BFSL = Best Fit Straight Line LS = limit value setting |
| Pack quantity | 1 pcs. |

Electrical connection

Connector: 1 x M12



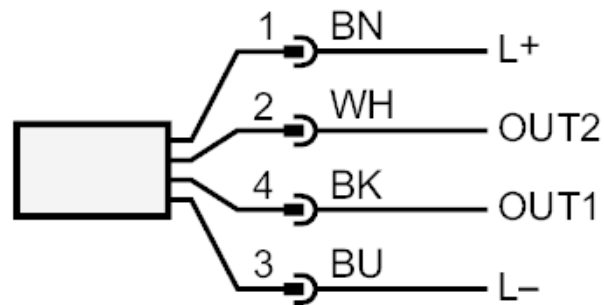
PV7600



Electronic pressure monitor

PV-400-SEN14-UFRVG/US/ /

Connection



OUT1 switching output

IO-Link

OUT2 switching output

colours to DIN EN 60947-5-2

Core colours :

BK = black

BN = brown

BU = blue

WH = white