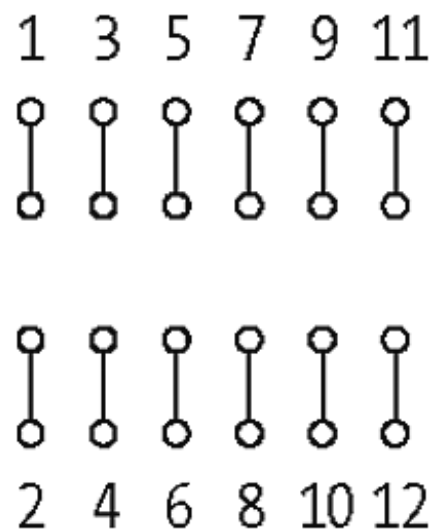
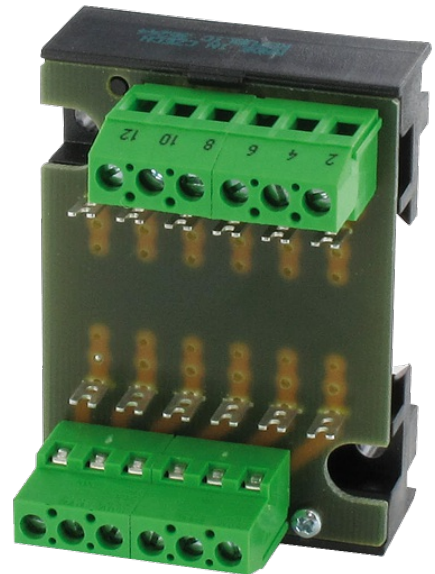
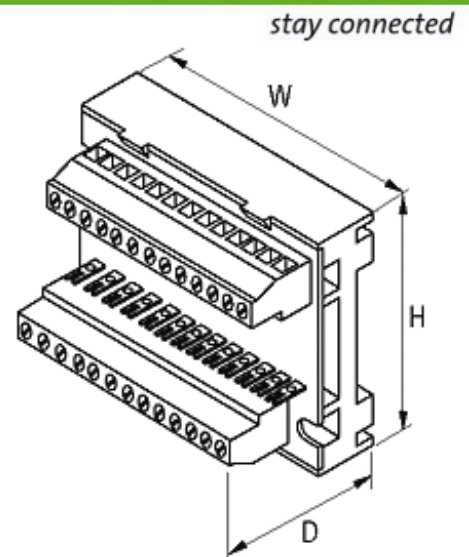


**ASSEMBLY MODULE MP 6 S**

Mounting rail / screw-type terminal

6 pairs of solder pins

[Link to Product](#)**Illustration**



Product may differ from Image

#### Technical Data

Operating voltage	max. 250 V AC/DC
Operating current	max. 5 A
Distance of solder pins	50 mm

#### General data

Mounting method	DIN-rail mountable TH35 or G32 (EN 60715) or screwable
Connection	Screw terminals: max. 4 mm <sup>2</sup> , pairs of solder pins (spacing 5 mm)
Housing	Plastic, flame retardant. Open design.
Dimensions H × W × D	63×90×36 mm
Temperature range	-20...+60 °C

#### Commercial data

country of origin	CZ
customs tariff number	85369010
minimum order quantity	1